

# **GAS TRAIN EQUIPMENT**

TECHNICAL BOOK

RELEASE **48**







We believe in Quality, we contribute to increase the Italian Technology and the Style that countersigns the excellence of Italy all over the world.



geca

Tecno  
control

CPF  
INDUSTRIALE

MADE IN ITALY

# WHERE WE ARE



**3** PRODUCTION UNITS  
IN ITALY

SALES ALL OVER  
THE WORLD

EXPORTING  
TO 91 COUNTRIES

# ABOUT US

Our group began operating in **1949** in Northern **Italy** and has grown to become a world-leading producer of very high-quality gas products and systems.

Our Group has a long history of developing gas products and systems that solve real customer challenges and invent new ways of working. Our rapid response R&D infrastructure and collaboration with university partners allows us to create applied innovations.

Production process is entirely carried out in three buildings in Italy. Manufacturing process, provided by the most advanced techniques, equipment, tools and machines.

We are an ever-evolving company offering the newest solutions and always renewing its passion. Behind each product, an accurate work of research, projecting, manufacturing and testing is guaranteed by means of special technologically advanced tools, in order to offer new satisfying solutions to our customers.

We strongly believe in the importance of high quality standards and control and this allows us to reach the ability to provide our customers with high levels of service and lead time.

Our group operations are conducted through six business divisions:

- **GAS TRAIN EQUIPMENT**
- **GAS DETECTION EQUIPMENT**
- **COMBUSTION ANALYSER AND MEASUREMENT INSTRUMENTS FOR GAS AND HVAC APPLICATIONS**
- **THERMOREGULATION COMPONENTS**
- **CYLINDER VALVES FOR INDUSTRIAL GASES**
- **VALVES FOR FIRE EXTINGUISHERS AND VALVES & EQUIPMENT FOR FIXED SUPPRESSION SYSTEMS**

Now, thanks to our experience, dedication to quality and technical excellence, gas companies, OEM partners, distributors and installers are confident their projects will achieve the highest level of safety and performance. Present in over 91 countries, our customers count on us to deliver the products and services they need wherever they are.

One more time we stand out as a dynamic, future-oriented company, which is able to combine its family traditions with its open-minded attitude, resulting in new market opportunities and innovative answers to the markets' demands.



GAS GOVERNORS



GAS FILTERS

# gas train

gas safety



RELIEF VALVES



GAS SOLENOID VALVES MANUAL RESET



**AUTOMATIC GAS VALVES**



**GAS REGULATORS WITH SLAM SHUT VALVE INTEGRATED**

# equipment

at its best

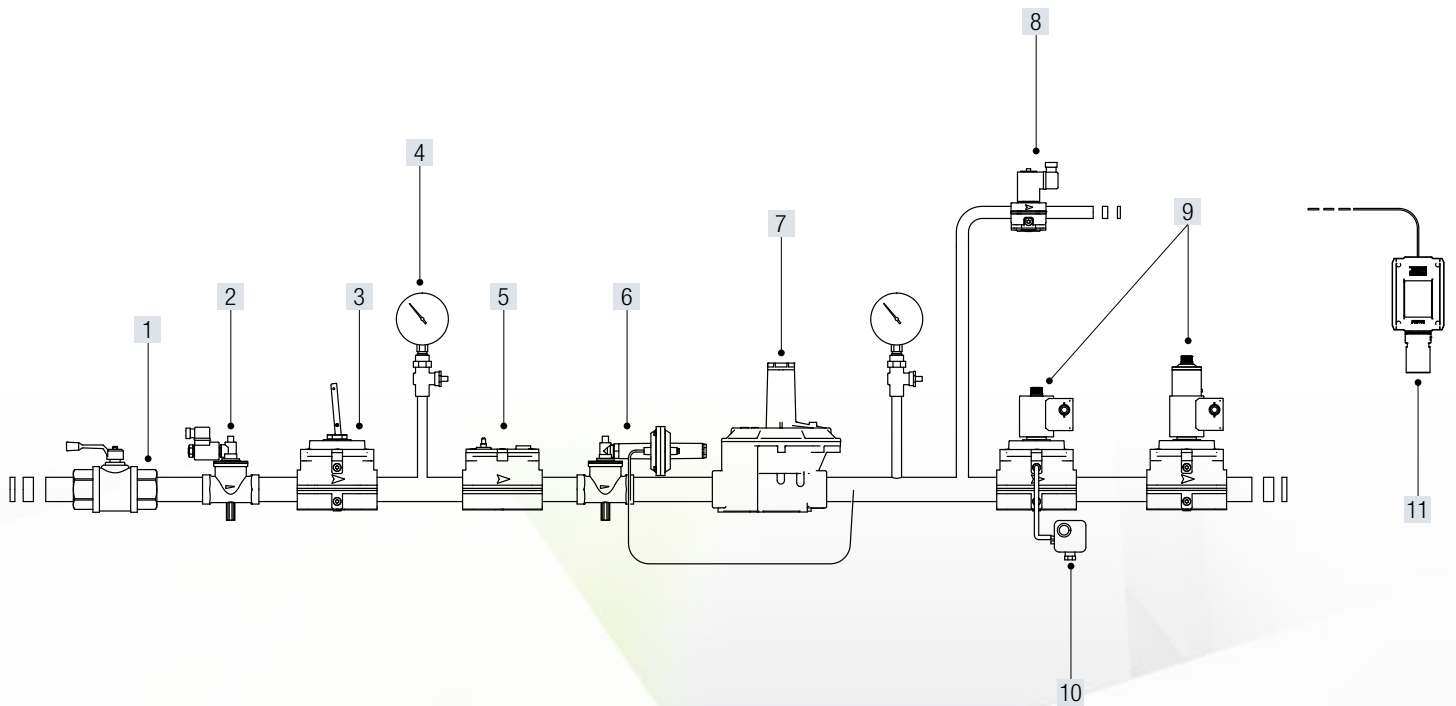


**PRESSURE GAUGES**



**BALL VALVES**

# Gas Train:



1. **BALL VALVE:** to isolate the system from main supply or to isolate the either side of PRS.
2. **SOLENOID VALVE** is made to guarantee the gas interception from gas detector in case of gas leaking.
3. **JERK HANDLE VALVE** are manually operated valves that allow the flow inside the piping while minimizing the pressure losses. With the possibility of remote interception operation; the closing operation is faster and safer than traditional ball devices.
4. **PRESSURE GAUGE:** To monitor upstream and downstream pressure, the pressure gauges are installed. Isolation valve is provided with each pressure gauge for easy replacement of pressure gauges in case of failure.
5. **GAS FILTER:** protects rest of the system from any debris or dust that may carried with gas stream. Debris may for example consist of parts accidentally left in the pipe during construction. It could also result from swarf from drilling holes & taps or welding & sand from construction or fine iron oxide dust.
6. **SLAM SHUT OFF VALVE:** is installed after Filter & before pressure regulator. Slam shut off valve close the supply of gas when a downstream pressure exceeds a pre-determined limit.
7. **GAS GOVERNOR:** is a control valve that reduces the input pressure of a fluid to a desired value at its output.
8. **SAFETY RELIEF VALVE:** is set at higher pressure than slam shut off valve so that the safety relief valve will operate when slam shut off valve fails to operate.
9. **SOLENOID VALVE** for gas are designed for safeguarding and controlling the air and gas supply to gas burners and gas appliances.
10. **PRESSURE SWITCH:** are designed for switching a circuit on, off or over if the pressure actual value changes in relation to the setpoint.
11. **GAS DETECTOR** is a device that detects the presence of gases in an area. This type of equipment is used to detect a gas leak or other emissions and can interface with a control system so a process can be automatically shut down.



# Installation and mounting

**Only trained and qualified person must be permitted to perform work on gas regulators and safety devices.**

Install the regulating train directly upstream of the gas-consuming devices.

Install the regulating train so that the direction arrows point towards the filter, safety shut-off valve, pressure regulator and solenoid valves in the direction of gas flow.

Normally, the gas passage is horizontally. The installation of the regulating trains is independent of position due to the spring loads. The device works therefore in any position.

If necessary, readjust the output pressure.

Position the pulse lines for SAV and pressure regulator so that you can monitor a steady output pressure (approx. 10 x DN).

Designed with 12 mm dia. steel pipe and cutting ring unions.

Take particular care that pulse lines are not damaged during mounting.

Connect the vent lines to the vent connections and route them outdoors.

Ensure that the sealing rings are inserted.

Ensure that the connection lines and the devices are free from contamination to avoid damages and operational faults.

## Commissioning

**Slowly** open the ball valve upstream of the regulating train and then the burner ball valve (if installed).

Observe the output pressure at the manometer and, if necessary, readjust at the load spring. Ensure that there is no zero consumption, otherwise the closing pressure must also be measured.

The output pressure in the pressure regulator, the switch-off pressure in the SAV and the vent pressure in the SBV are set at our factory to the values specified in the enclosed datasheet.

## Output pressure adjustment

The output pressure  $P_a$  must be higher than the sum of resistances of all downstream fittings and gas-consuming devices.

If it is necessary to correct the output pressure, readjust the pressure regulator setting screw. Open the closing cover. Then change the pressure to the desired value by turning the setting screw. Pressure will increase by turning clockwise.









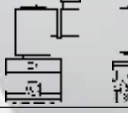




This can be performed during operation since all gas-conveying chambers in the regulator are closed.

If the SAV close due to a operating fault at the pressure regulator, you can manually open the SAV after eliminating the fault.

## Data for gas train calculation (in case you need fill the below table with details)

1	Gas type	
2	Gas temperature (°C, K)	
3	Density of Gas (kg/m <sup>3</sup> )	
4	max. Operating pressure $p_{max}$ [bar, mbar]	
5	min. Inlet pressure [bar, mbar]	
6	max. Inlet pressure [bar, mbar]	
7	Outlet pressure at the end of the gas train [bar, mbar]	
8	min. Gas volume flow (Nm <sup>3</sup> /h)	
9	max. Gas volume flow (Nm <sup>3</sup> /h)	
10	Electrical voltage (VAC, VDC, Hz)	
11	Electrical degree of protection [IP]	
12	Further information	

# Product Range

Gas Ball Valve	Gas Solenoid Valve	Jerk Handle Valve	Pressure Gauge	Gas Filter	Slam Shut off Valve	Gas Governor	Gas Governor With SSV	Aut. Valve Vent-Valve Normally Open	Relief Valve	Aut. Valve Fast Opening	Aut. Valve Slow Opening	Pressure Switch
1	2	3	4	5	6	7	7	8	8	9	9	10
Body		Dimension		Description		Type	Pmax	Options		Approval		
	1	Nikel-plated Brass or Cast Iron	From 1/4" to DN200	Lever handle in steel		Male Female	- PN25 - PN50	Threaded/Flanged		-EN331		
	2	Brass	1/2"-3/4"-1" 1"1/4 - 1"1/2 2"	Manual reset		N.C.	550 mBar and 6 Bar	CPI Control Position		-EN161 -PED -EAC		
Aluminum		DN65-80-100 DN125-150	N.O.									
			N.C.									
	3	Aluminum	1/2"-3/4"-1" 1"1/4 - 1"1/2 2"	Manual operation			6 Bar			-PED		
	4	ABS Brass	1/4"-3/8"-1/2"	Gauges for Gas M63-M80-M100			-From 40mBar to 600mBar -From 4Bar to 16Bar		-EN837-1 -CE1997-23 -PED -EN60529			
	5	Aluminum	1/2"-3/4"-1" + SC 1"1/4 - 1"1/2 2" DN65-80-100 DN125-150	-STANDARD -TEST POINT INPUT/OUTPUT (TPIO) -SCREW PLUG (SP)			6 Bar and 10 Bar	Threaded/Flanged PETERSON PLUG (PP)		-EN13611 -PED -EAC		
	6	Brass	1/2"-3/4"-1" 1"1/4 - 1"1/2 2"	- Manual Reset - Adjustment range 200-700 mbar			6Bar			-PED		
Aluminum		DN65-80-100										
	7	Aluminum	1/2"-3/4"-1" SC 1/2"-3/4"-1" HC 1"1/4 - 1"1/2 2" DN65-80-100	- Without filter - With Filter (FT) - Setting Outlet 5-300 mBar - TEST POINT INPUT/OUTPUT (TPIO)			-500mBar -1 Bar -2 Bar -5 Bar	Threaded/Flanged		-EN 88/1-88/2 -PED -EAC		
	7	Aluminum	1"1/4 - 1"1/2 2"	Integrated safety valve: - Overpressure (OPSO) - Under pressure (UPSO) Manual reset			500mBar and 5Bar	TEST POINT INPUT/OUTPUT (TPIO)		-EN88/2 -PED		
	8	Aluminum	1/2"-3/4"-1"	Vent Valve		N.O.	360mBar and 6 Bar	CPI Control Position		-PED		
	8	Aluminum	1/2"-3/4"-1" 1"1/4 - 1"1/2 2"	Adjustment range 200-600 mbar			1Bar			-PED -EAC		
	9	Aluminum	1/2"-3/4"-1" 1"1/4 - 1"1/2 2" DN65-80-100	-Fast Opening -Fast Closing		N.C.	360mBar and 6 Bar 360mBar	Flow Regulation CPI Control Position		-EN161 -PED -EAC		
		Aluminum	1/2"-3/4"-1" 1"1/4 - 1"1/2 2" DN65-80-100	-Fast Opening -Fast Closing		N.C.	360mBar	CPI Control Position		-EN161 -PED		
	10	ABS Brass		-From 0,4mBar to 3mBar -From 2.5mBar to 50mBar								

# Conversion Table

## CONVERSION FACTORS

Multiply	By	To Obtain
<b>LENGTH &amp; AREA</b>		
Millimeters	0.0394	Inches
Meters	3.2808	Feet
Sq. Centimeters	0.155	Sq. Inches
Sq. Meters	10.764	Sq. Feet
<b>VOLUME &amp; MASS</b>		
Cubic Meters	35.315	Cubic Feet
Liters	0.0353	Cubic Feet
Gallons	0.1337	Cubic Feet
Cubic cm.	0.061	Cubic Inches
Liters	2.114	Pints (US)
Liters	0.2642	Gallons (US)
Kilograms	2.2046	Pounds
Tonnes	1.1024	Tons (US)
<b>PRESSURE &amp; FLOW RATE</b>		
Millibars	0.4018	Inches w.c.
Ounces/sq. in.	1.733	Inches w.c.
Inches w.c.	0.0361	Pounds/sq. in.
Bars	14.50	Pounds/sq. in.
Kilopascals	0.1450	Pounds/sq. in.
Kilograms/sq. cm.	14.222	Pounds/sq. in.
Pounds/sq. in.	0.068	Atmospheres
Liters/hr.	0.0353	Cubic Feet/hr.
Cubic Meters/hr.	4.403	Gallons/min.
<b>VARIOUS</b>		
Kilojoules	0.9478	BTU
Calories, kg	3.968	BTU
Watts	3.414	BTU/HR

## CONVERSION FACTORS

Multiply	By	To Obtain
<b>LENGTH &amp; AREA</b>		
Inches	25.4	Millimeters
Feet	0.3048	Meters
Sq. Inches	6.4516	Sq. Centimeters
Sq. Feet	0.0929	Sq. Meters
<b>VOLUME &amp; MASS</b>		
Cubic Feet	0.0283	Cubic Meters
Cubic Feet	28.316	Liters
Cubic Feet	7.481	Gallons
Cubic Inches	16.387	Cubic cm.
Pints (US)	0.473	Liters
Gallons (US)	3.785	Liters
Pounds	0.4535	Kilograms
Tons (US)	0.9071	Tonnes
<b>PRESSURE &amp; FLOW RATE</b>		
Inches w.c.	2.488	Millibars
Inches w.c.	0.577	Ounces/sq. in.
Pounds/sq. in.	27.71	Inches w.c.
Pounds/sq. in.	0.0689	Bars
Pounds/sq. in.	6.895	Kilopascals
Pounds/sq. in.	0.0703	Kilograms/sq. cm.
Atmospheres	14.696	Pounds/sq. in.
Cubic Feet/hr.	28.316	Liters/hr.
Gallons/min.	0.2271	Cubic Meters/hr.
<b>VARIOUS</b>		
BTU	1.055	Kilojoules
BTU	0.252	Calories, kg
BTU/HR	0.293	Watts

## FLOW

	MULTIPLY BY:
If you have a flow capacity (CFH, etc.) in NATURAL GAS and want to know equivalent flow capacity of—	Propane: 0.63 Butane: 0.55 Air: 0.77
If you have BUTANE and want to know equivalent flow capacity of—	Propane: 1.15 Butane: 1.83 Air: 1.42
If you have AIR and want to know equivalent flow capacity of—	Propane: 0.81 Butane: 0.71 Air: 1.29
If you have PROPANE and want to know equivalent flow capacity of—	Propane: 0.87 Butane: 1.59 Air: 1.23

## FLOW

	MULTIPLY BY:
If you have 1Kg of LPG and want to know equivalent flow capacity of—	m <sup>3</sup> Natural Gas: 1.333 litre of LPG: 1.770
If you have 1 m <sup>3</sup> of Natural Gas and want to know equivalent flow capacity of—	kg of LPG: 0.750 litre of LPG: 0.692
If you have 1litre of LPG and want to know equivalent flow capacity of—	m <sup>3</sup> Natural Gas: 1.446 kg of LPG: 0.565



<b>GAS GOVERNORS</b>	p. 15
<b>GAS REGULATOR</b>	p. 87
<b>GAS FILTERS</b>	p. 101
<b>AUTOMATIC GAS VALVES - Brass Body</b>	p. 125
<b>AUTOMATIC GAS VALVES</b> Fast Opening / Fast Closing	p. 129
<b>AUTOMATIC GAS VALVES</b> Slow Opening / Fast Closing	p. 157
<b>AUTOMATIC GAS VALVES</b> Normally Open - Vent Valves	p. 173
<b>PRESSURE SWITCHES</b>	p. 177
<b>RELIEF VALVES</b>	p. 181
<b>SLAM SHUT OFF VALVES - OPSO</b>	p. 189
<b>JERK VALVES</b>	p. 201
<b>GAS SOLENOID VALVES MANUAL RESET</b> Normally open	p. 211
<b>GAS SOLENOID VALVES MANUAL RESET</b> Normally close	p. 221
<b>GAS SOLENOID VALVES MANUAL RESET</b> with CPI integrated	p. 233
<b>ACCESSORIES FOR GAS TRAIN</b>	p. 239
<b>MEASUREMENT INSTRUMENTS</b>	p. 291

## *Gas Governors*

» Spring-loaded governors, are designed and built according UNI EN 88 class A - group 2 specifications, can be used for all the types of natural gas LPG or not corrosive gases. These regulators are widely used in supply lines for mixed and combined burners and in the piped distribution of methane gas and LPG in both industrial and non-industrial applications. Spring-loaded/ governors are self-acting type with balanced obturator and double safety diaphragm. The double diaphragm allow to use the device within the cabinet, without connecting an external pipe venting.



# Gas Governors

## GAS GOVERNOR 500 mbar

GAS GOVERNOR ½", ¾", 1" – Pmax 500 mbar	p. 16
GAS GOVERNOR ½", ¾", 1" - High Capacity - Pmax 500 mbar	p. 18
GAS GOVERNOR 1 ¼", 1 ½" – Pmax 500 mbar	p. 20
GAS GOVERNOR 2" – Pmax 500 mbar	p. 22
GAS GOVERNOR DN656, DN80, DN100 – Pmax 500 mbar	p. 24

## GAS GOVERNORS Pmax 1 bar

GAS GOVERNOR ½", ¾" and 1" – Pmax 1 bar	p. 28
GAS GOVERNOR ½", ¾" and 1" - High Capacity - Pmax 1 bar	p. 30
GAS GOVERNOR 1 ¼", 1 ½" – Pmax 1 bar	p. 32
GAS GOVERNOR 2" – Pmax 1 bar	p. 34
GAS GOVERNOR DN65, DN80, DN100 - Pmax 1 bar	p. 36

## GAS GOVERNORS Pmax 2 bar

GAS GOVERNOR ½", ¾" and 1" – Pmax 2 bar	p. 40
GAS GOVERNOR ½", ¾" and 1" - High Capacity - Pmax 2 bar	p. 42
GAS GOVERNOR 1 ¼", 1 ½" – Pmax 2 bar	p. 44
GAS GOVERNOR 2" – Pmax 2 bar	p. 46
GAS GOVERNOR DN65, DN80, DN100 - Pmax 2 bar	p. 48

## GAS GOVERNOR Pmax 5 bar

GAS GOVERNOR ½", ¾", 1" – Pmax 5 bar	p. 52
GAS GOVERNOR ½", ¾", 1" - High Capacity - 5 bar	p. 54
GAS GOVERNOR 1 ¼", 1 ½" – Pmax 5 bar	p. 56
GAS GOVERNOR 2" – Pmax 5 bar	p. 58
GAS GOVERNOR DN65, DN80, DN100 - Pmax 5 bar	p. 60

**GAS GOVERNOR ½", ¾", 1" – Pmax 500 mbar**



Code	Description	Dimension	Pmax
<b>RG015</b>	Gas Governor	½"	500 mbar
<b>RG020</b>	Gas Governor	¾"	500 mbar
<b>RG025</b>	Gas Governor	1"	500 mbar
<b>RGD25</b>	Gas Governor	DN25	500 mbar
<b>RG015-FT</b>	Gas Governor with filter	½"	500 mbar
<b>RG020-FT</b>	Gas Governor with filter	¾"	500 mbar
<b>RG025-FT</b>	Gas Governor with filter	1"	500 mbar
<b>RGD25-FT</b>	Gas Governor with filter	DN25	500 mbar
<b>RG015-TPIO</b>	Gas Governor with test point in/out	½"	500 mbar
<b>RG020-TPIO</b>	Gas Governor with test point in/out	¾"	500 mbar
<b>RG025-TPIO</b>	Gas Governor with test point in/out	1"	500 mbar
<b>RGD25-TPIO</b>	Gas Governor with test point in/out	DN25	500 mbar
<b>RG015-FT-TPIO</b>	Gas Governor with filter and test point in/out	½"	500 mbar
<b>RG020-FT-TPIO</b>	Gas Governor with filter and test point in/out	¾"	500 mbar
<b>RG025-FT-TPIO</b>	Gas Governor with filter and test point in/out	1"	500 mbar
<b>RGD25-FT-TPIO</b>	Gas Governor with filter and test point in/out	DN25	500 mbar

**TECHNICAL FEATURES**

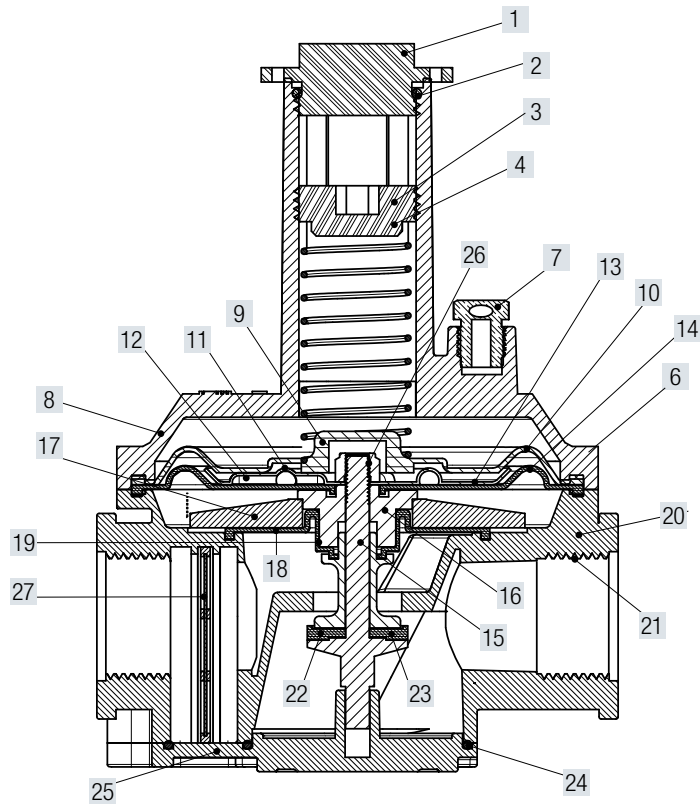
<b>Pmax</b>	inlet max – 500 mbar
<b>Setting outlet</b>	5 – 300 mbar – Standard spring supplied 10 – 27 mbar – Other spring on request – Range as per below table
<b>Filtering</b>	≤ 50µm – Plastic cartridge
<b>Inlet - Outlet Connection</b>	Thread gas ½", ¾", 1" - ISO 228 DN25 - Sliding Aluminium flange PN10
<b>Test point</b>	1/8" NPT
<b>Working Temperature</b>	- 20 °C – + 60 °C
<b>Use</b>	Not aggressive gases of three families – Natural Gas – LPG – Town Gas
<b>Approval</b>	UNI EN 88-1:2011 / PED / EAC

**Materials:**

<b>Complete Body</b>	Die – Cast Aluminium Gd – AISI12Cu – EN AB 46100
<b>Diaphragms</b>	NBR 60Sh – DvGW EN 549
<b>Plastic components</b>	Yellow POM / Pa 66 + 25% Gf

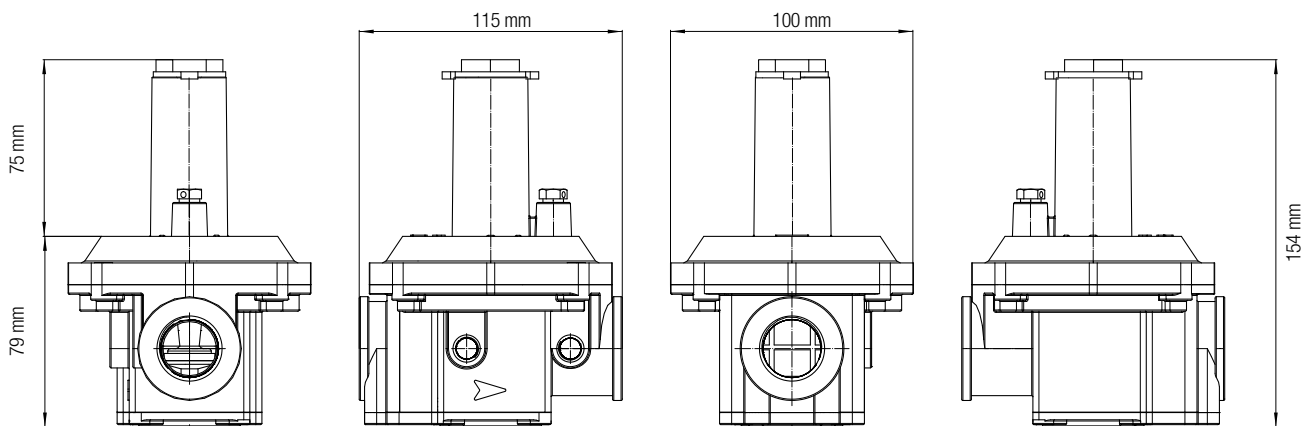
Code:	Color	Range mbar
<b>SPW1-5</b>	White	5 - 14 mbar
<b>SPY1-5</b>	Yellow	6 - 22 mbar
<b>SPN1-5</b>	Neutral	10 - 27 mbar
<b>SPR1-5</b>	Red	28 - 70 mbar
<b>SPBK1-5</b>	Black	60 - 130 mbar
<b>SPG1-5</b>	Green	120 - 300 mbar





1	Seal cap
2	O ring
3	Spring compressor
4	Washer
6	Screws
7	Vent cap
8	Upper cover
9	Plastic Washer
10	Safety diaphragm
11	Calibrated nozzle
12	Washer
13	Disc
14	Compensation diaphragm

15	Shaft
16	Upper bush
17	Disc
18	Working diaphragm
19	Lower bush
20	Body
21	Sensing tube
22	Seal washer
23	Plastic ring
24	Gasket
25	Cover
26	Nut
27	Filter cartridge



Dimension	1/2"	3/4"	1"
WEIGHT (kgs)	0,720	0,688	0,663

## GAS GOVERNOR ½", ¾", 1" - High Capacity - Pmax 500 mbar



Code	Description	Dimension	Pmax
RG015-HC	Gas Governor	½"	500 mbar
RG020-HC	Gas Governor	¾"	500 mbar
RG025-HC	Gas Governor	1"	500 mbar
RGD25-HC	Gas Governor	DN25	500 mbar
RG015-HC-FT	Gas Governor with filter	½"	500 mbar
RG020-HC-FT	Gas Governor with filter	¾"	500 mbar
RG025-HC-FT	Gas Governor with filter	1"	500 mbar
RGD25-HC-FT	Gas Governor with filter	DN25	500 mbar
RG015-HC-TPIO	Gas Governor with test point in/out	½"	500 mbar
RG020-HC-TPIO	Gas Governor with test point in/out	¾"	500 mbar
RG025-HC-TPIO	Gas Governor with test point in/out	1"	500 mbar
RGD25-HC-TPIO	Gas Governor with test point in/out	DN25	500 mbar
RG015-HC-FT-TPIO	Gas Governor with filter and test point in/out	½"	500 mbar
RG020-HC-FT-TPIO	Gas Governor with filter and test point in/out	¾"	500 mbar
RG025-HC-FT-TPIO	Gas Governor with filter and test point in/out	1"	500 mbar
RGD25-HC-FT-TPIO	Gas Governor with filter and test point in/out	DN25	500 mbar

### TECHNICAL FEATURES

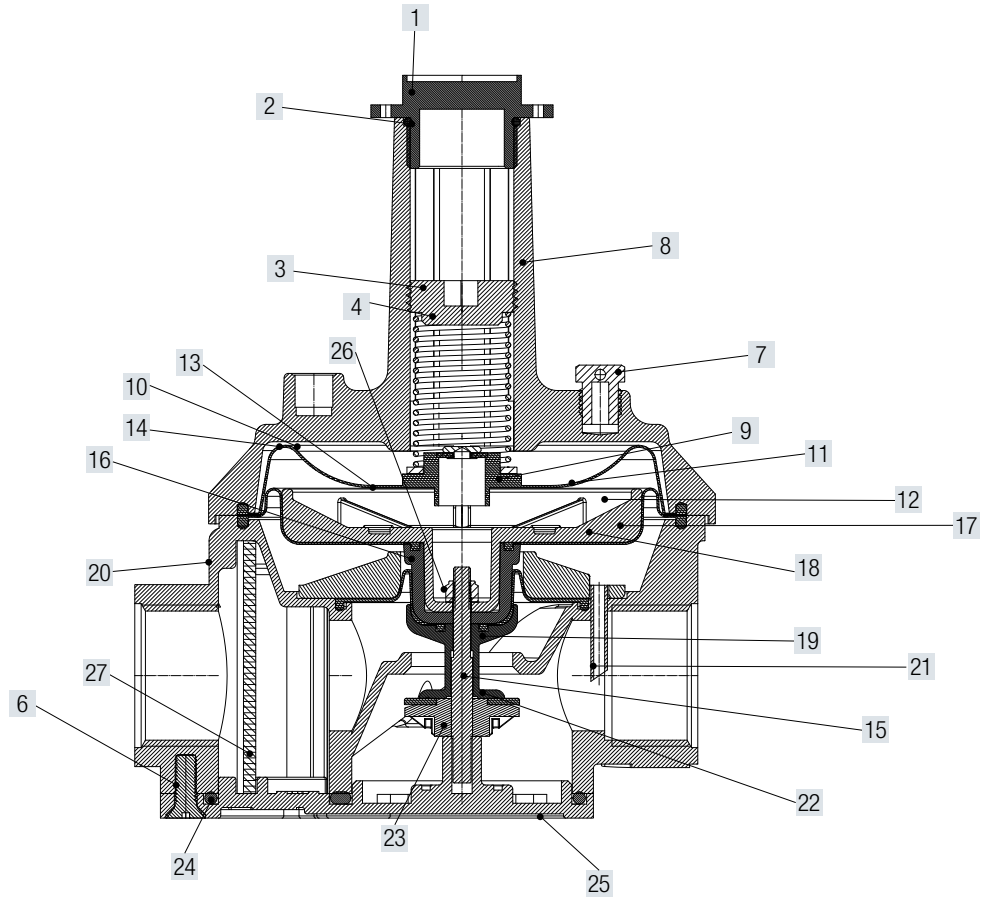
<b>Pmax</b>	inlet max – 500 mbar
<b>Setting outlet</b>	5 – 300 mbar – Standard spring supplied 10 – 27 mbar – Other spring on request – Range as per below table
<b>Filtering</b>	≤ 50µm
<b>Inlet - Outlet Connection</b>	Thread gas ½", ¾", 1" - ISO 228 DN25 - Sliding Aluminium flange PN10
<b>Test point</b>	1/8" NPT
<b>Working Temperature</b>	- 20 °C – + 60 °C
<b>Use</b>	Not aggressive gases of three families – Natural Gas – LPG – Town Gas
<b>Approval</b>	UNI EN 88-1:2011 / PED / EAC

### Materials:

<b>Complete Body</b>	Die – Cast Aluminium Gd – AISi12Cu – EN AB 46100
<b>Diaphragms</b>	NBR 60Sh – DvGW EN 549
<b>Plastic components</b>	Yellow POM / Pa 66 + 25% Gf

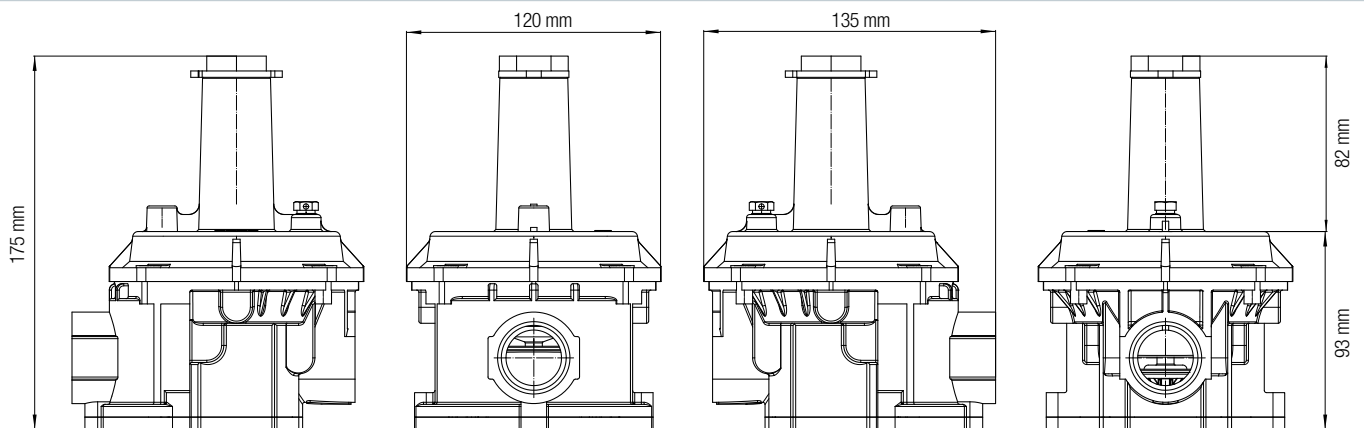
### Code: Color Range mbar

<b>SPW1-5HC</b>	White	5 - 14 mbar
<b>SPY1-5HC</b>	Yellow	6 - 22 mbar
<b>SPN1-5HC</b>	Neutral	10 - 27 mbar
<b>SPR1-5HC</b>	Red	28 - 70 mbar
<b>SPBK1-5HC</b>	Black	60 - 130 mbar
<b>SPB1-5HC</b>	Blue	120 - 300 mbar



1	Seal cap
2	O ring
3	Spring compressor
4	Washer
6	Screws
7	Vent cap
8	Upper cover
9	Plastic Washer
10	Safety diaphragm
11	Calibrated nozzle
12	Washer
13	Disc
14	Compensation diaphragm

15	Shaft
16	Upper bush
17	Disc
18	Working diaphragm
19	Lower bush
20	Body
21	Sensing tube
22	Seal washer
23	Plastic ring
24	Gasket
25	Cover
26	Nut
27	Filter cartridge



Dimension	1/2"	3/4"	1"
WEIGHT (kgs)	0,980	0,955	0,915

## GAS GOVERNOR 1 ¼", 1 ½" – Pmax 500 mbar



Code	Description	Dimension	Pmax
<b>RG032</b>	Gas Governor	1 ¼"	500 mbar
<b>RG040</b>	Gas Governor	1 ½"	500 mbar
<b>RGD32</b>	Gas Governor	DN32	500 mbar
<b>RGD40</b>	Gas Governor	DN40	500 mbar
<b>RG032-FT</b>	Gas Governor with filter	1 ¼"	500 mbar
<b>RG040-FT</b>	Gas Governor with filter	1 ½"	500 mbar
<b>RGD32-FT</b>	Gas Governor with filter	DN32	500 mbar
<b>RGD40-FT</b>	Gas Governor with filter	DN40	500 mbar
<b>RG032-TPIO</b>	Gas Governor with test point in/out	1¼"	500 mbar
<b>RG040-TPIO</b>	Gas Governor with test point in/out	1½"	500 mbar
<b>RGD32-TPIO</b>	Gas Governor with test point in/out	DN32	500 mbar
<b>RGD40-TPIO</b>	Gas Governor with test point in/out	DN40	500 mbar
<b>RG032-FT-TPIO</b>	Gas Governor with filter and test point in/out	1¼"	500 mbar
<b>RG040-FT-TPIO</b>	Gas Governor with filter and test point in/out	1½"	500 mbar
<b>RGD32-FT-TPIO</b>	Gas Governor with filter and test point in/out	DN32	500 mbar
<b>RGD40-FT-TPIO</b>	Gas Governor with filter and test point in/out	DN32	500 mbar

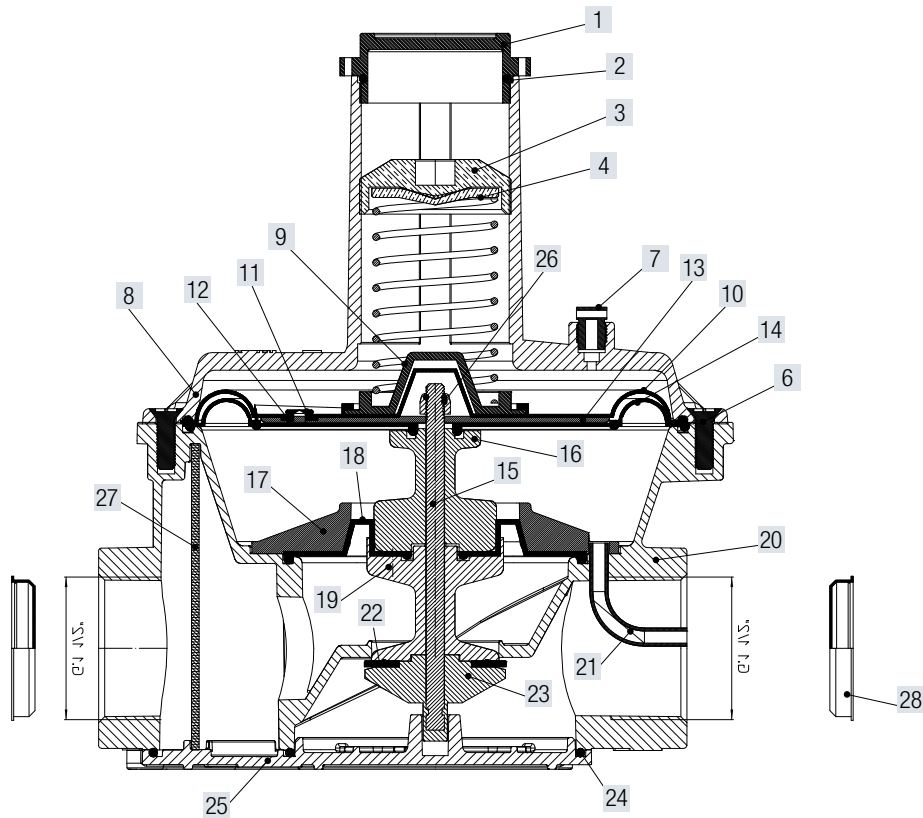
### TECHNICAL FEATURES

<b>Pmax</b>	inlet max – 500 mbar
<b>Setting outlet</b>	5 – 300 mbar – Standard spring supplied 10 – 27 mbar – Other spring on request – Range as per below table
<b>Filtering</b>	≤ 50µm – Viledon cartridge
<b>Inlet - Outlet Connection</b>	Thread gas 1 ¼" 1½" - ISO 228 DN32 - DN40 - Sliding Aluminium flange PN10
<b>Test point</b>	1/8" NPT
<b>Working Temperature</b>	- 20 °C – + 60 °C
<b>Use</b>	Not aggressive gases of three families – Natural Gas – LPG – Town Gas
<b>Approval</b>	UNI EN 88-1:2011 / PED / EAC

### Materials:

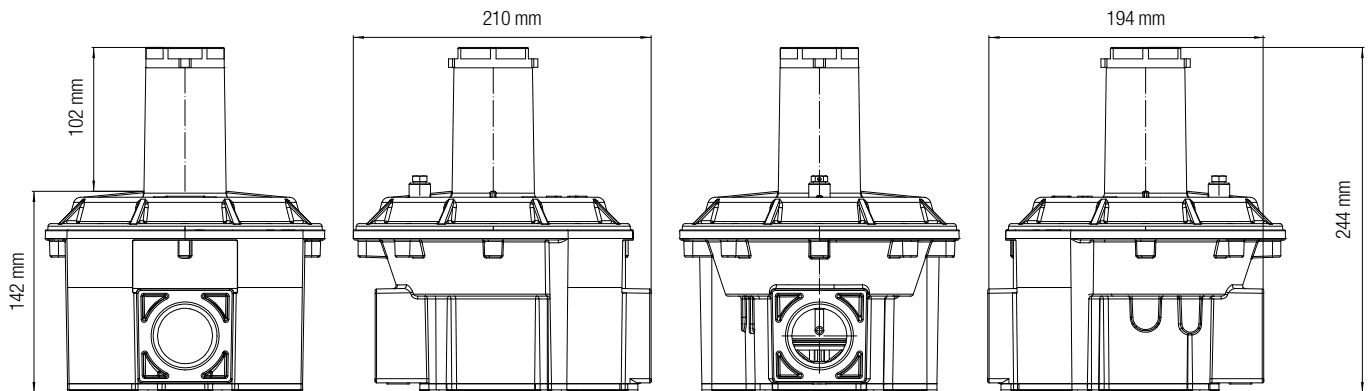
<b>Complete Body</b>	Die – Cast Aluminium Gd – AISi12Cu - EN AB 46100
<b>Diaphragms</b>	NBR 60Sh – DvGW EN 549
<b>Plastic components</b>	White POM / Pa 66 + 25% Gf

Code:	Color	Range mbar
<b>SPW2-5</b>	White	5 - 14 mbar
<b>SPY2-5</b>	Yellow	6 - 22 mbar
<b>SPN2-5</b>	Neutral	10 - 27 mbar
<b>SPR2-5</b>	Red	28 - 70 mbar
<b>SPBK2-5</b>	Black	60 - 130 mbar
<b>SPB2-5</b>	Blue	120 - 300 mbar



1	Seal cap
2	O ring
3	Spring compressor
4	Washer
6	Screws
7	Vent cap
8	Upper cover
9	Plastic Washer
10	Safety diaphragm
11	Calibrated nozzle
12	Washer
13	Disc
14	Compensation diaphragm

15	Shaft
16	Upper bush
17	Disc
18	Working diaphragm
19	Lower bush
20	Body
21	Sensing tube
22	Seal washer
23	Plastic ring
24	Gasket
25	Cover
26	Nut
27	Filter cartridge
28	Screw cover



Dimension	1 ¼"	1 ½"
WEIGHT (kgs)	3,140	3,060

## GAS GOVERNOR 2" – Pmax 500 mbar



Code	Description	Dimension	Pmax
<b>RG050</b>	Gas Governor	2"	500 mbar
<b>RGD50</b>	Gas Governor	DN50	500 mbar
<b>RG050-FT</b>	Gas Governor with filter	2"	500 mbar
<b>RGD50-FT</b>	Gas Governor with filter	DN50	500 mbar
<b>RG050-TPIO</b>	Gas Governor with test point in/out	2"	500 mbar
<b>RGD50-TPIO</b>	Gas Governor with test point in/out	DN50	500 mbar
<b>RG050-FT-TPIO</b>	Gas Governor with filter and test point in/out	2"	500 mbar
<b>RGD50-FT-TPIO</b>	Gas Governor with filter and test point in/out	DN50	500 mbar

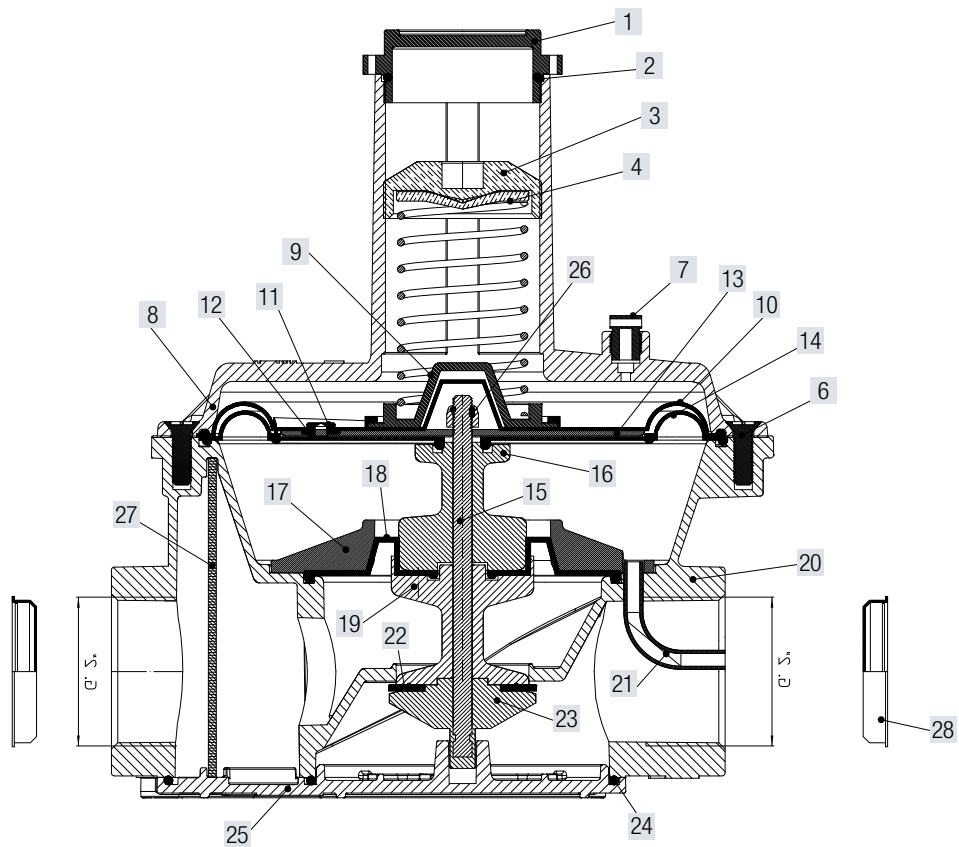
### TECHNICAL FEATURES

<b>Pmax</b>	inlet max – 500 mbar
<b>Setting outlet</b>	5 – 300 mbar – Standard spring supplied 10 – 27 mbar – Other spring on request – Range as per below table
<b>Filtering</b>	≤ 50µm – Viledon cartridge
<b>Inlet- Outlet Connection</b>	Thread gas 2" - ISO 228 DN50 - Sliding Aluminium flange PN10
<b>Test point</b>	1/8" NPT
<b>Working Temperature</b>	- 20 °C – + 60 °C
<b>Use</b>	Not aggressive gases of three families – Natural Gas – LPG – Town Gas
<b>Approval</b>	UNI EN 88-1:2011 / PED / EAC

### Materials:

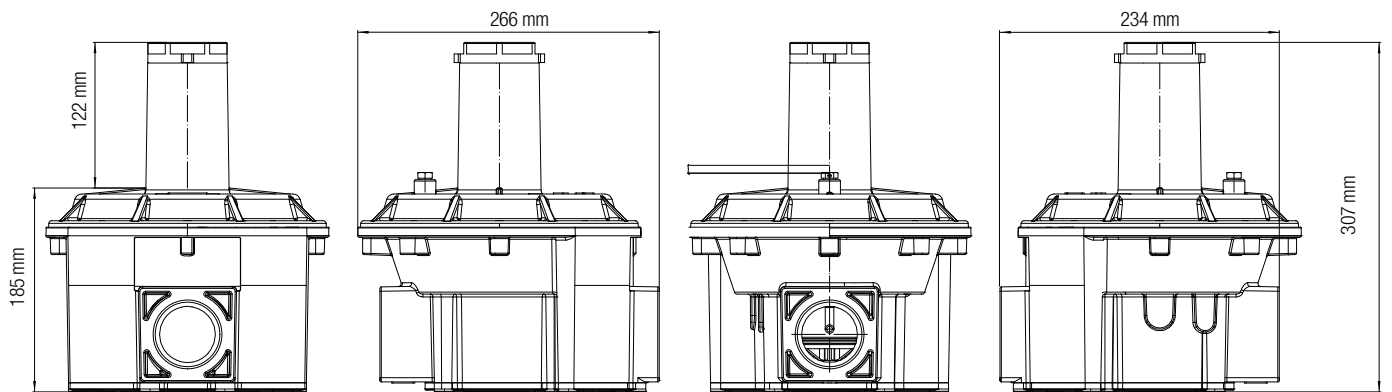
<b>Complete Body</b>	Die – Cast Aluminium Gd – AlSi12Cu - EN AB 46100
<b>Diaphragms</b>	NBR 60Sh – DvGW EN 549
<b>Plastic components</b>	White POM / Pa 66 + 25% Gf

Code:	Color	Range mbar
<b>SPW3-5</b>	White	5 - 14 mbar
<b>SPY3-5</b>	Yellow	6 - 22 mbar
<b>SPN3-5</b>	Neutral	10 - 27 mbar
<b>SPR3-5</b>	Red	28 - 70 mbar
<b>SPBK3-5</b>	Black	60 - 130 mbar
<b>SPB3-5</b>	Blue	120 - 300 mbar



1	Seal cap
2	O ring
3	Spring compressor
4	Washer
6	Screws
7	Vent cap
8	Upper cover
9	Plastic Washer
10	Safety diaphragm
11	Calibrated nozzle
12	Washer
13	Disc
14	Compensation diaphragm

15	Shaft
16	Upper bush
17	Disc
18	Working diaphragm
19	Lower bush
20	Body
21	Sensing tube
22	Seal washer
23	Plastic ring
24	Gasket
25	Cover
26	Nut
27	Filter cartridge
28	Screw cover



Dimension	2"
WEIGHT (kgs)	5,8

## GAS GOVERNOR DN65, DN80, DN100 - Pmax 500 mbar



Code	Description	Dimension	Pmax
<b>RGD65</b>	Gas Governor	DN65	500 mbar
<b>RGD80</b>	Gas Governor	DN80	500 mbar
<b>RGD100</b>	Gas Governor	DN100	500 mbar
<b>RGD65-FT</b>	Gas Governor with filter	DN65	500 mbar
<b>RGD80-FT</b>	Gas Governor with filter	DN80	500 mbar
<b>RGD100-FT</b>	Gas Governor with filter	DN100	500 mbar
<b>RGD65-TPIO</b>	Gas Governor with test point in/out	DN65	500 mbar
<b>RGD80-TPIO</b>	Gas Governor with test point in/out	DN80	500 mbar
<b>RGD100-TPIO</b>	Gas Governor with test point in/out	DN100	500 mbar
<b>RGD65-FT-TPIO</b>	Gas Governor with filter and test point in/out	DN65	500 mbar
<b>RGD80-FT-TPIO</b>	Gas Governor with filter and test point in/out	DN80	500 mbar
<b>RGD100-FT-TPIO</b>	Gas Governor with filter and test point in/out	DN100	500 mbar

### TECHNICAL FEATURES

<b>Pmax</b>	inlet max – 500 mbar
<b>Setting outlet</b>	5 – 300 mbar – Standard spring supplied 10 – 27 mbar – Other spring on request
<b>Filtering</b>	≤ 50µm – Viledon cartridge
<b>Inlet - Outlet Connection</b>	Flanged connection DN65 DN80 - DN100 - PN16
<b>Test point</b>	Inlet / outlet on request – Test point 1/8" NPT
<b>Working Temperature</b>	- 20 °C – + 60 °C
<b>Use</b>	Not aggressive gases of three families – Natural Gas – LPG – Town Gas
<b>Approval</b>	UNI EN 88-2:2008 / PED / EAC

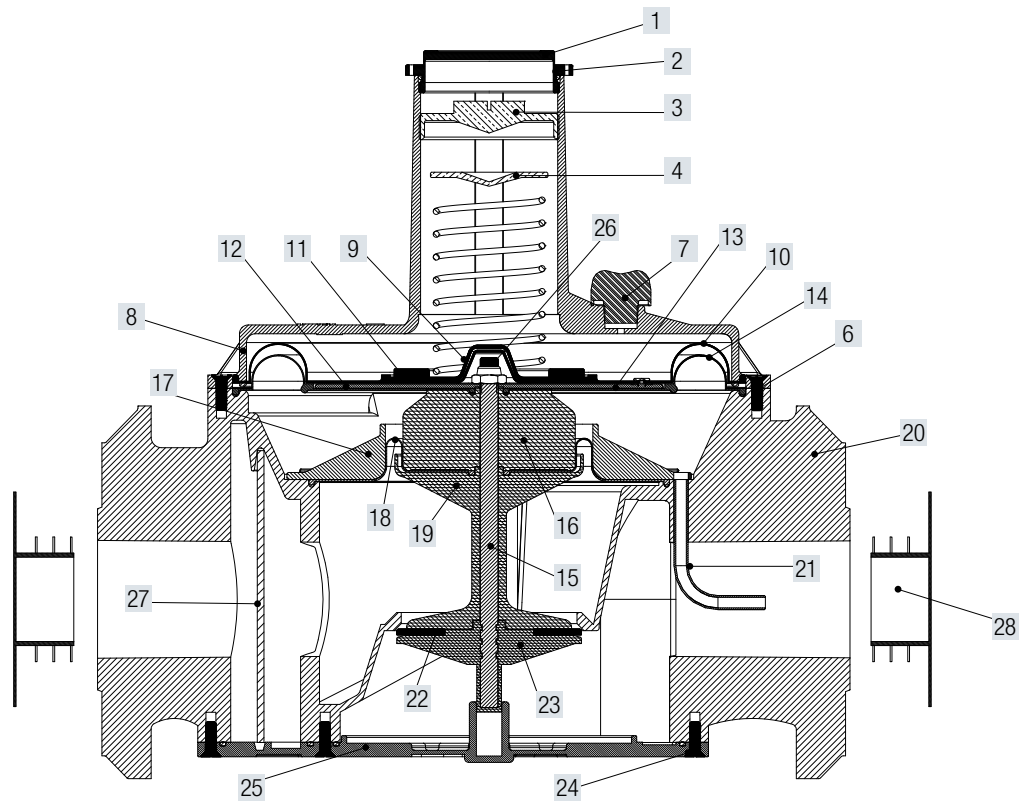
### Materials:

<b>Complete Body</b>	Die – Cast Aluminium Gd – AlSi12Cu - EN AB 46100
<b>Diaphragms</b>	NBR 60Sh – DvGW EN 549
<b>Plastic components</b>	White POM / Pa 66 + 25% Gf

### Spring Range:

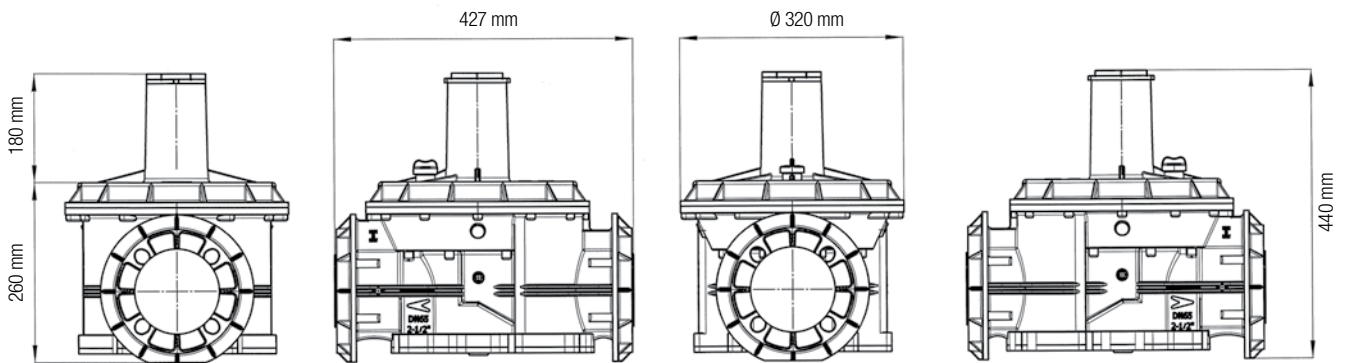
	Color	Range mbar
<b>SPW4-5</b>	White	5 - 14 mbar
<b>SPW4-5</b>	Yellow	6 - 22 mbar
<b>SPW4-5</b>	Neutral	10 - 27 mbar
<b>SPR4-5</b>	Red	28 - 70 mbar
<b>SPBK4-5</b>	Black	60 - 130 mbar
<b>SPB4-5</b>	Blue	120 - 300 mbar





1	Seal cap
2	O ring
3	Spring compressor
4	Washer
6	Screws
7	Vent cap
8	Upper cover
9	Plastic Washer
10	Safety diaphragm
11	Calibrated nozzle
12	Washer
13	Disc
14	Compensation diaphragm

15	Shaft
16	Upper bush
17	Disc
18	Working diaphragm
19	Lower bush
20	Body
21	Sensing tube
22	Seal washer
23	Plastic ring
24	Gasket
25	Cover
26	Nut
27	Filter cartridge
28	Screw cover



Dimension	DN65	DN80	DN100
WEIGHT (kgs)	16	15,3	14,6

*Gas Governors Pmax 1 bar*



# Gas Governors Pmax 1 bar

## GAS GOVERNOR PMAX 1 BAR

---

GAS GOVERNOR 1/2", 3/4" and 1" – Pmax 1 bar	p. 28
---	-------

---

Gas Governor 1/2", 3/4" and 1" High Capacity - Pmax 1 bar	p. 30
--	-------

---

GAS GOVERNOR 1 1/4", 1 1/2" – Pmax 1 bar	p. 32
--	-------

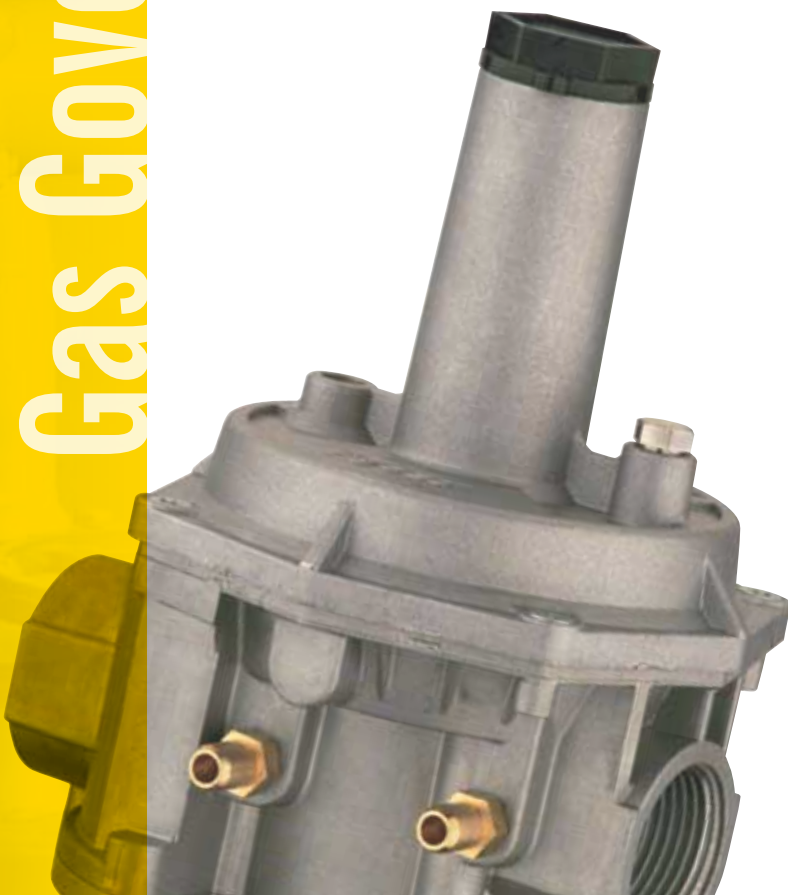
---

GAS GOVERNOR 2" – Pmax 1 bar	p. 34
------------------------------	-------

---

GAS GOVERNOR DN65, DN80, DN100 - Pmax 1 bar	p. 36
---	-------

---



## GAS GOVERNOR ½", ¾" and 1" – Pmax 1 bar



Code	Description	Dimension	Pmax
<b>RG015-1B</b>	Gas Governor	½"	1 bar
<b>RG020-1B</b>	Gas Governor	¾"	1 bar
<b>RG025-1B</b>	Gas Governor	1"	1 bar
<b>RGD25-1B</b>	Gas Governor	DN25	1 bar
<b>RG015-FT-1B</b>	Gas Governor with filter	½"	1 bar
<b>RG020-FT-1B</b>	Gas Governor with filter	¾"	1 bar
<b>RG025-FT-1B</b>	Gas Governor with filter	1"	1 bar
<b>RGD25-FT-1B</b>	Gas Governor with filter	DN25	1 bar
<b>RG015-1B-TPIO</b>	Gas Governor with test point in/out	½"	1 bar
<b>RG020-1B-TPIO</b>	Gas Governor with test point in/out	¾"	1 bar
<b>RG025-1B-TPIO</b>	Gas Governor with test point in/out	1"	1 bar
<b>RGD25-1B-TPIO</b>	Gas Governor with test point in/out	DN25	1 bar
<b>RG015-FT-1B-TPIO</b>	Gas Governor with filter and test point in/out	½"	1 bar
<b>RG020-FT-1B-TPIO</b>	Gas Governor with filter and test point in/out	¾"	1 bar
<b>RG025-FT-1B-TPIO</b>	Gas Governor with filter and test point in/out	1"	1 bar
<b>RGD25-FT-1B-TPIO</b>	Gas Governor with filter and test point in/out	DN25	1 bar

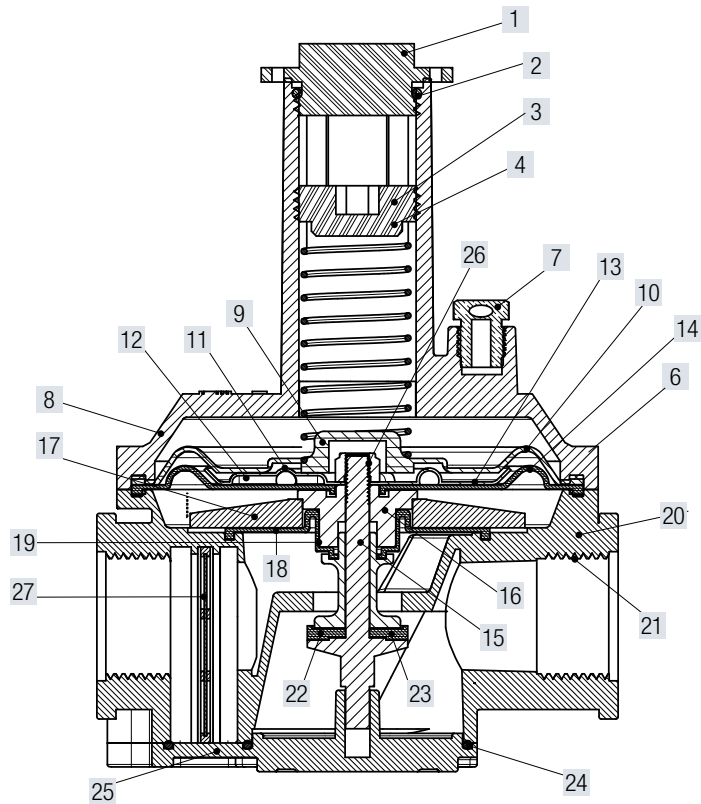
### TECHNICAL FEATURES

<b>Pmax</b>	inlet max – 1 bar
<b>Setting outlet</b>	6 – 480 mbar – Standard spring supplied 10 – 27 mbar – Other spring on request – Range as per below table
<b>Filtering</b>	≤ 50µm –
<b>Inlet - Outlet Connection</b>	Thread gas ½", ¾" 1" - ISO 228 DN25 - Sliding Aluminium flange PN10
<b>Test point</b>	1/8" NPT
<b>Working Temperature</b>	- 20 °C – + 60 °C
<b>Use</b>	Not aggressive gases of three families – Natural Gas – LPG – Town Gas
<b>Approval</b>	UNI EN 88-2:2008 / PED / EAC

### Materials:

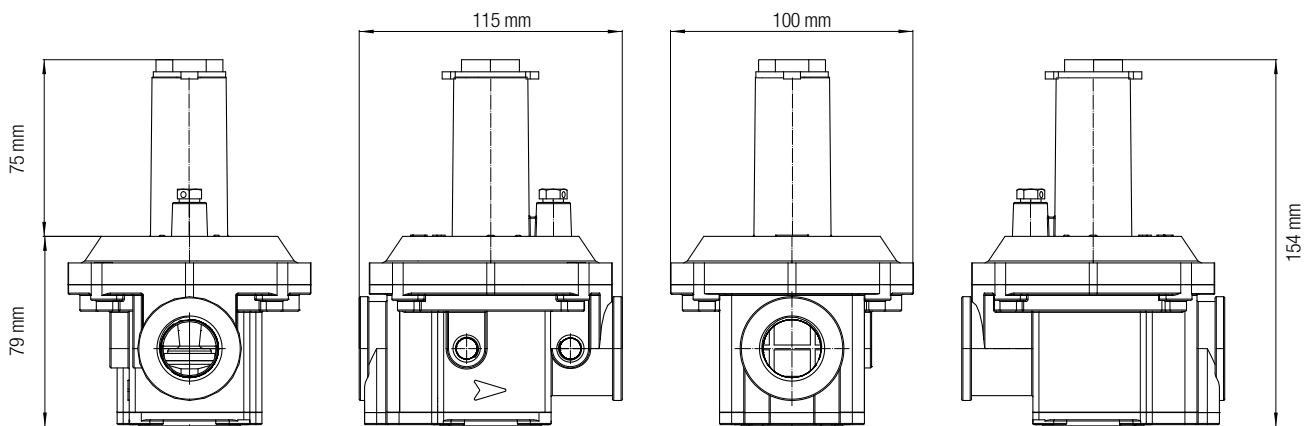
<b>Complete Body</b>	Die – Cast Aluminium Gd – AISi12Cu - EN AB 46100
<b>Diaphragms</b>	NBR 60Sh – DvGW EN 549
<b>Plastic components</b>	Yellow POM / Pa 66 + 25% Gf

Code:	Color	Range mbar
<b>SPY1-12</b>	Yellow	6 - 22 mbar
<b>SPN1-12</b>	Neutral	10 - 27 mbar
<b>SPR1-12</b>	Red	28 - 70 mbar
<b>SPG1-12</b>	Green	70 - 280 mbar
<b>SPBR1-12</b>	Brown	220 - 480 mbar



1	Seal cap
2	O ring
3	Spring compressor
4	Washer
6	Screws
7	Vent cap
8	Upper cover
9	Plastic Washer
10	Safety diaphragm
11	Calibrated nozzle
12	Washer
13	Disc
14	Compensation diaphragm

15	Shaft
16	Upper bush
17	Disc
18	Working diaphragm
19	Lower bush
20	Body
21	Sensing tube
22	Seal washer
23	Plastic ring
24	Gasket
25	Cover
26	Nut
27	Filter cartridge



Dimension	1/2"	3/4"	1"
WEIGHT (kgs)	0,720	0,688	0,663

## GAS GOVERNOR ½", ¾" and 1" - High Capacity - Pmax 1 bar



Code	Description	Dimension	Pmax
RG015-HC-1B	Gas Governor	½"	1 bar
RG020-HC-1B	Gas Governor	¾"	1 bar
RG025-HC-1B	Gas Governor	1"	1 bar
RGD25-HC-1B	Gas Governor	DN25	1 bar
RG015-HC-FT-1B	Gas Governor with filter	½"	1 bar
RG020-HC-FT-1B	Gas Governor with filter	¾"	1 bar
RG025-HC-FT-1B	Gas Governor with filter	1"	1 bar
RGD25-HC-FT-1B	Gas Governor with filter	DN25	1 bar
RG015-HC-1B-TPIO	Gas Governor with test point in/out	½"	1 bar
RG020-HC-1B-TPIO	Gas Governor with test point in/out	¾"	1 bar
RG025-HC-1B-TPIO	Gas Governor with test point in/out	1"	1 bar
RGD25-HC-1B-TPIO	Gas Governor with test point in/out	DN25	1 bar
RG015-HC-FT-1B-TPIO	Gas Governor with filter and test point in/out	½"	1 bar
RG020-HC-FT-1B-TPIO	Gas Governor with filter and test point in/out	¾"	1 bar
RG025-HC-FT-1B-TPIO	Gas Governor with filter and test point in/out	1"	1 bar
RGD25-HC-FT-1B-TPIO	Gas Governor with filter and test point in/out	DN25	1 bar

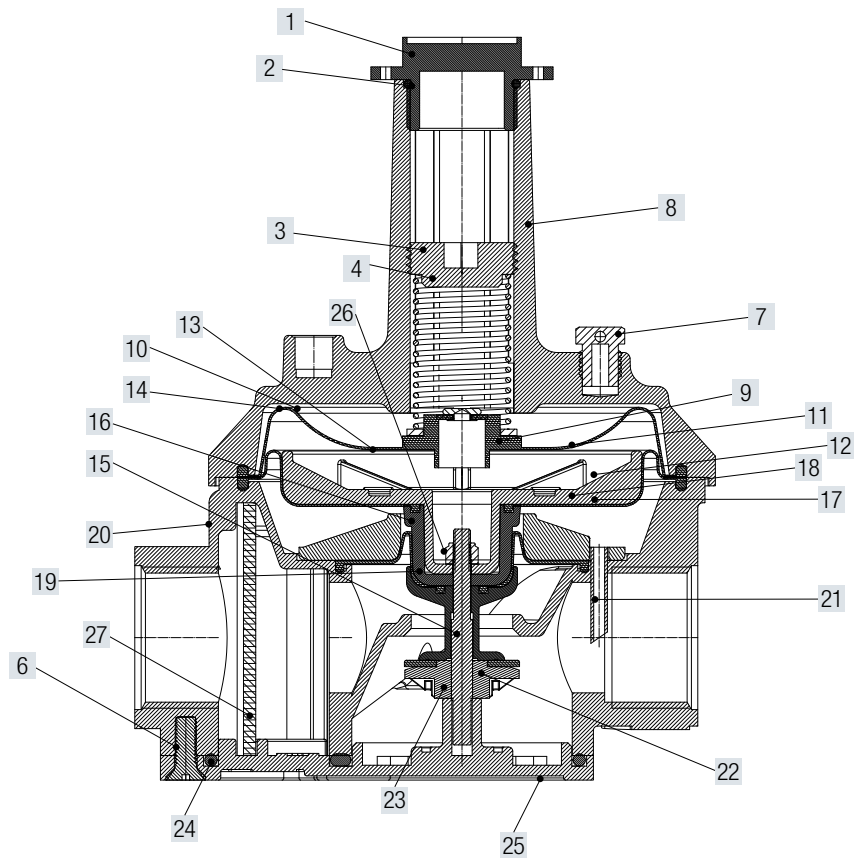
### TECHNICAL FEATURES

<b>Pmax</b>	inlet max – 1 bar
<b>Setting outlet</b>	6 – 480 mbar – Standard spring supplied 10 – 27 mbar – Other spring on request – Range as per below table
<b>Filtering</b>	≤ 50µm –
<b>Inlet - Outlet Connection</b>	Thread gas ½", ¾" 1" - ISO 228 DN25 - Sliding Aluminium flange PN10
<b>Test point</b>	1/8" NPT
<b>Working Temperature</b>	- 20 °C – + 60 °C
<b>Use</b>	Not aggressive gases of three families – Natural Gas – LPG – Town Gas
<b>Approval</b>	UNI EN 88-2:2008 / PED / EAC

### Materials:

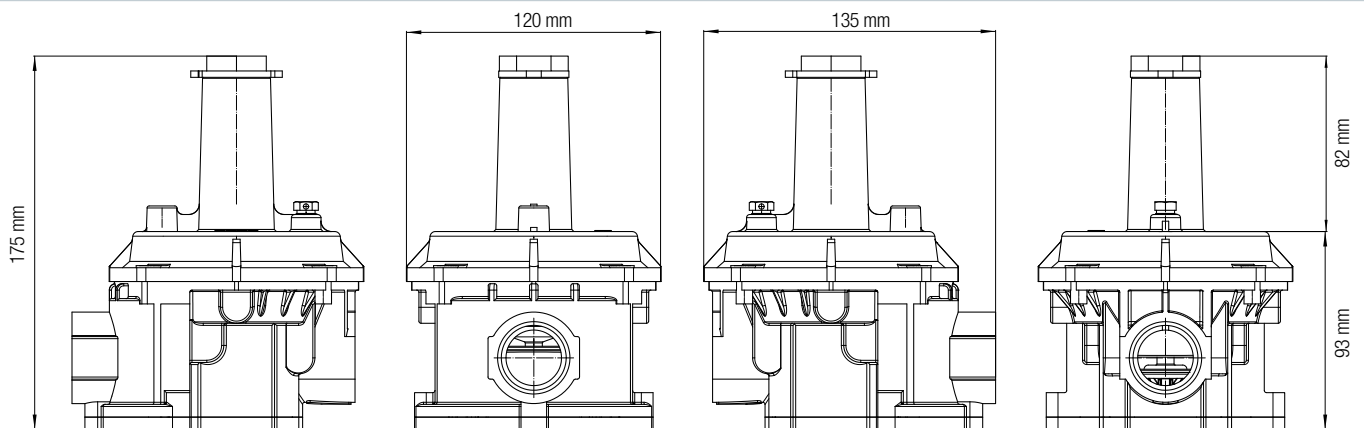
<b>Complete Body</b>	Die – Cast Aluminium Gd – AlSi12Cu - EN AB 46100
<b>Diaphragms</b>	NBR 60Sh – DvGW EN 549
<b>Plastic components</b>	Yellow POM / Pa 66 + 25% Gf

Code:	Color	Range mbar
SPY1-12HC	Yellow	6 - 22 mbar
SPN1-12HC	Neutral	10 - 27 mbar
SPR1-12HC	Red	28 - 70 mbar
SPG1-12HC	Green	70 - 280 mbar
SPBR1-12HC	Brown	220 - 480 mbar



1	Seal cap
2	O ring
3	Spring compressor
4	Washer
6	Screws
7	Vent cap
8	Upper cover
9	Plastic Washer
10	Safety diaphragm
11	Calibrated nozzle
12	Washer
13	Disc
14	Compensation diaphragm

15	Shaft
16	Upper bush
17	Disc
18	Working diaphragm
19	Lower bush
20	Body
21	Sensing tube
22	Seal washer
23	Plastic ring
24	Gasket
25	Cover
26	Nut
27	Filter cartridge



Dimension	1/2"	3/4"	1"
WEIGHT (kgs)	0,980	0,955	0,915

## GAS GOVERNOR 1 ¼", 1 ½" – Pmax 1 bar



Code	Description	Dimension	Pmax
<b>RG032-1B</b>	Gas Governor	1 ¼"	1 bar
<b>RG040-1B</b>	Gas Governor	1 ½"	1 bar
<b>RGD32-1B</b>	Gas Governor	DN32	1 bar
<b>RGD40-1B</b>	Gas Governor	DN40	1 bar
<b>RG032-FT-1B</b>	Gas Governor with filter	1 ¼"	1 bar
<b>RG040-FT-1B</b>	Gas Governor with filter	1 ½"	1 bar
<b>RGD32-FT-1B</b>	Gas Governor with filter	DN32	1 bar
<b>RGD40-FT-1B</b>	Gas Governor with filter	DN40	1 bar
<b>RG032-1B-TPIO</b>	Gas Governor with test point in/out	1 ¼"	1 bar
<b>RG040-1B-TPIO</b>	Gas Governor with test point in/out	1 ½"	1 bar
<b>RGD32-1B-TPIO</b>	Gas Governor with test point in/out	DN32	1 bar
<b>RGD40-1B-TPIO</b>	Gas Governor with test point in/out	DN40	1 bar
<b>RG032-FT-1B-TPIO</b>	Gas Governor with filter and test point in/out	1 ¼"	1 bar
<b>RG040-FT-1B-TPIO</b>	Gas Governor with filter and test point in/out	1 ½"	1 bar
<b>RGD32-FT-1B-TPIO</b>	Gas Governor with filter and test point in/out	DN32	1 bar
<b>RGD40-FT-1B-TPIO</b>	Gas Governor with filter and test point in/out	DN40	1 bar

### TECHNICAL FEATURES

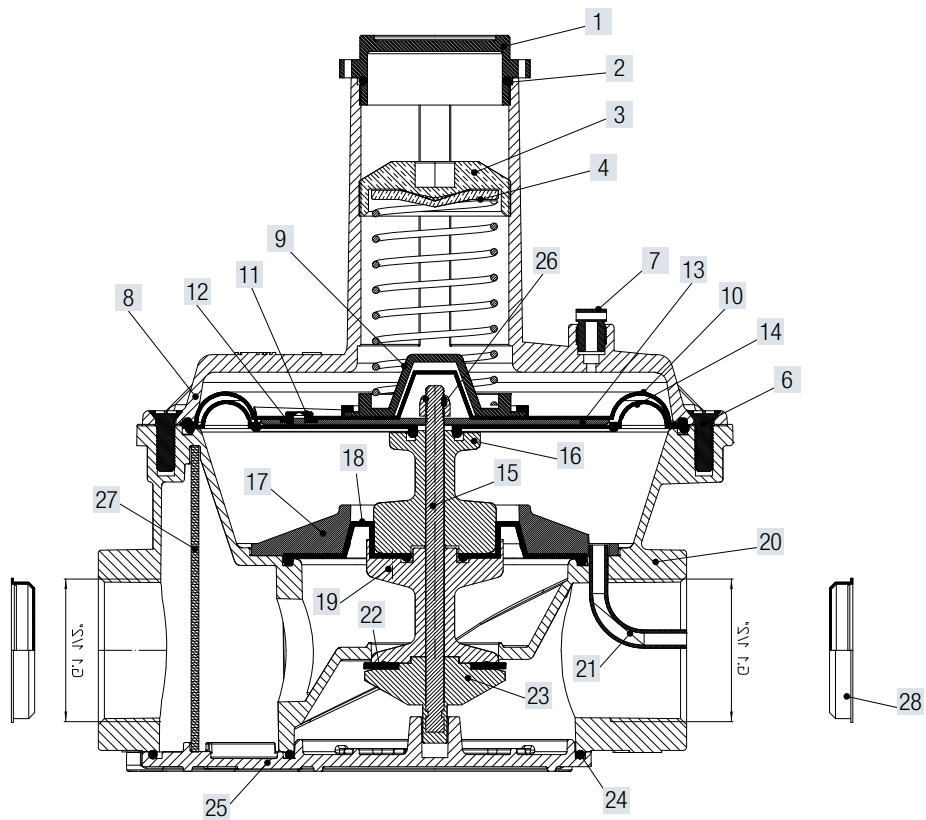
<b>Pmax</b>	inlet max – 1 bar
<b>Setting outlet</b>	6 – 480 mbar – Standard spring supplied 10 – 27 mbar – Other spring on request – Range as per below table
<b>Filtering</b>	≤ 50µm – Viledon cartridge
<b>Inlet - Outlet Connection</b>	Thread gas 1 ¼" 1½" - ISO 228 DN32 DN40 - Sliding Aluminium flange PN10
<b>Test point</b>	1/8" NPT
<b>Working Temperature</b>	- 20 °C – + 60 °C
<b>Use</b>	Not aggressive gases of three families – Natural Gas – LPG – Town Gas
<b>Approval</b>	UNI EN 88-2:2008 / PED / EAC

### Materials:

<b>Complete Body</b>	Die – Cast Aluminium Gd – AlSi12Cu - EN AB 46100
<b>Diaphragms</b>	NBR 60Sh – DvGW EN 549
<b>Plastic components</b>	White POM / Pa 66 + 25% Gf

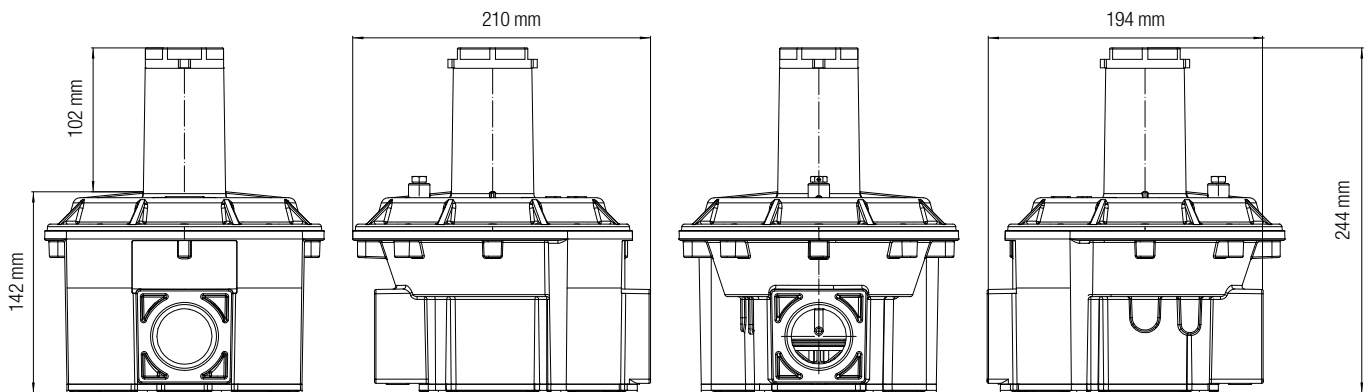
Code:	Color	Range mbar
<b>SPY2-12</b>	Yellow	6 - 22 mbar
<b>SPN2-12</b>	Neutral	10 - 27 mbar
<b>SPR2-12</b>	Red	28 - 70 mbar
<b>SPBK2-12</b>	Black	60 - 130 mbar
<b>SPG2-12</b>	Green	120 - 300 mbar
<b>SPBR2-12</b>	Brown	220 - 480 mbar





1	Seal cap
2	O ring
3	Spring compressor
4	Washer
6	Screws
7	Vent cap
8	Upper cover
9	Plastic Washer
10	Safety diaphragm
11	Calibrated nozzle
12	Washer
13	Disc
14	Compensation diaphragm

15	Shaft
16	Upper bush
17	Disc
18	Working diaphragm
19	Lower bush
20	Body
21	Sensing tube
22	Seal washer
23	Plastic ring
24	Gasket
25	Cover
26	Nut
27	Filter cartridge
28	Screw cover



Dimension	1 1/4"	1 1/2"
WEIGHT (kgs)	3,140	3,060

## GAS GOVERNOR 2" – Pmax 1 bar



Code	Description	Dimension	Pmax
<b>RG050-1B</b>	Gas Governor	2"	1 bar
<b>RGD50-1B</b>	Gas Governor	DN50	1 bar
<b>RG050-FT-1B</b>	Gas Governor with filter	2"	1 bar
<b>RGD50-FT-1B</b>	Gas Governor with filter	DN50	1 bar
<b>RG050-1B-TPIO</b>	Gas Governor with test point in/out	2"	1 bar
<b>RGD50-1B-TPIO</b>	Gas Governor with test point in/out	DN50	1 bar
<b>RG050-FT-1B-TPIO</b>	Gas Governor with filter and test point in/out	2"	1 bar
<b>RGD50-FT-1B-TPIO</b>	Gas Governor with filter and test point in/out	DN50	1 bar

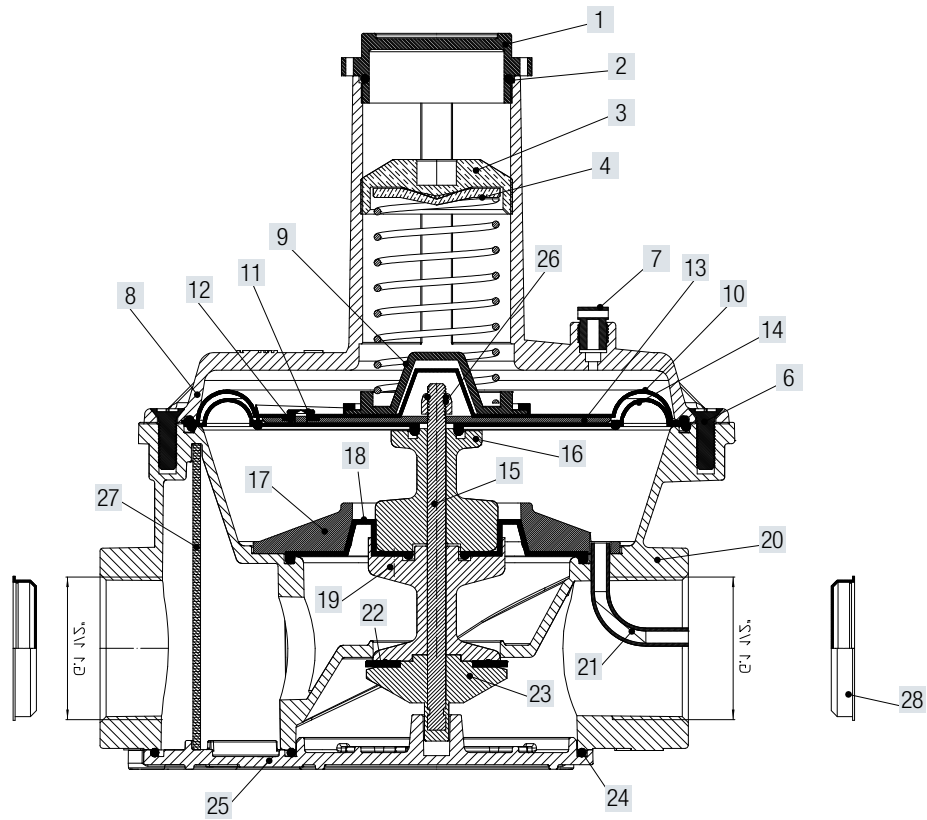
### TECHNICAL FEATURES

<b>Pmax</b>	inlet max – 1 bar
<b>Setting outlet</b>	6 – 480 mbar – Standard spring supplied 10 – 27 mbar – Other spring on request – Range as per below table
<b>Filtering</b>	≤ 50µm – Viledon cartridge
<b>Inlet - Outlet Connection</b>	Thread gas 2" - ISO 228 DN50 - Sliding Aluminium flange PN10
<b>Test point</b>	1/8" NPT
<b>Working Temperature</b>	- 20 °C – + 60 °C
<b>Use</b>	Not aggressive gases of three families – Natural Gas – LPG – Town Gas
<b>Approval</b>	UNI EN 88-2:2008 / PED / EAC

### Materials:

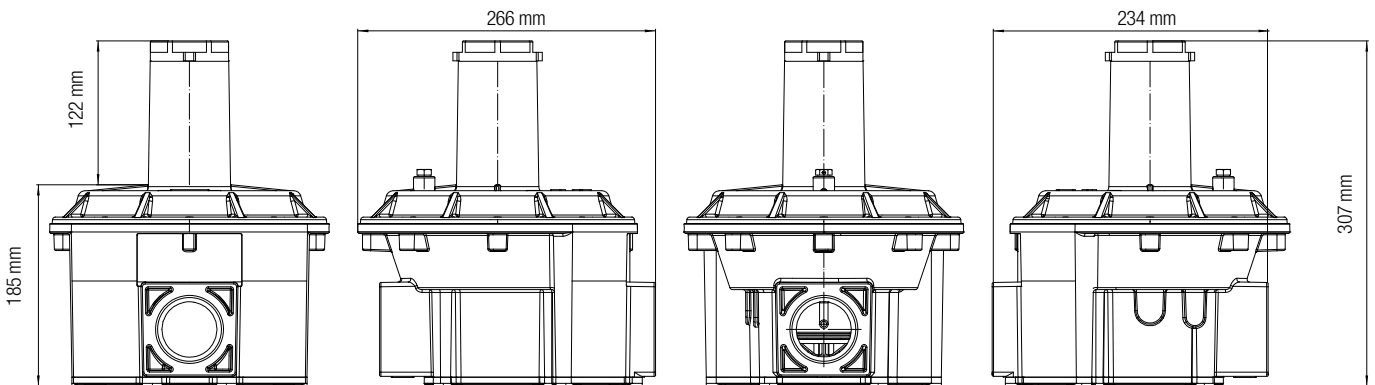
<b>Complete Body</b>	Die – Cast Aluminium Gd – AISi12Cu - EN AB 46100
<b>Diaphragms</b>	NBR 60Sh – DvGW EN 549
<b>Plastic components</b>	White POM / Pa 66 + 25% Gf

Code:	Color	Range mbar
<b>SPY3-12</b>	Yellow	6 - 22 mbar
<b>SPN3-12</b>	Neutral	10 - 27 mbar
<b>SPR3-12</b>	Red	28 - 70 mbar
<b>SPBK3-12</b>	Black	60 - 130 mbar
<b>SPG3-12</b>	Green	120 - 300 mbar
<b>SPBR3-12</b>	Brown	220 - 480 mbar



1	Seal cap
2	O ring
3	Spring compressor
4	Washer
6	Screws
7	Vent cap
8	Upper cover
9	Plastic Washer
10	Safety diaphragm
11	Calibrated nozzle
12	Washer
13	Disc
14	Compensation diaphragm

15	Shaft
16	Upper bush
17	Disc
18	Working diaphragm
19	Lower bush
20	Body
21	Sensing tube
22	Seal washer
23	Plastic ring
24	Gasket
25	Cover
26	Nut
27	Filter cartridge
28	Screw cover



Dimension	2"
WEIGHT (kgs)	5,8

**GAS GOVERNOR DN65, DN80, DN100 - Pmax 1 bar**



Code	Description	Dimension	Pmax
<b>RGD65-1B</b>	Gas Governor	DN65	1 bar
<b>RGD80-1B</b>	Gas Governor	DN80	1 bar
<b>RGD100-1B</b>	Gas Governor	DN100	1 bar
<b>RGD65-FT-1B</b>	Gas Governor with filter	DN65	1 bar
<b>RGD80-FT-1B</b>	Gas Governor with filter	DN80	1 bar
<b>RGD100-FT-1B</b>	Gas Governor with filter	DN100	1 bar
<b>RGD65-1B-TPIO</b>	Gas Governor with test point in/out	DN65	1 bar
<b>RGD80-1B-TPIO</b>	Gas Governor with test point in/out	DN80	1 bar
<b>RGD100-1B-TPIO</b>	Gas Governor with test point in/out	DN100	1 bar
<b>RGD65-FT-1B-TPIO</b>	Gas Governor with filter and test point in/out	DN65	1 bar
<b>RGD80-FT-1B-TPIO</b>	Gas Governor with filter and test point in/out	DN80	1 bar
<b>RGD100-FT-1B-TPIO</b>	Gas Governor with filter and test point in/out	DN100	1 bar

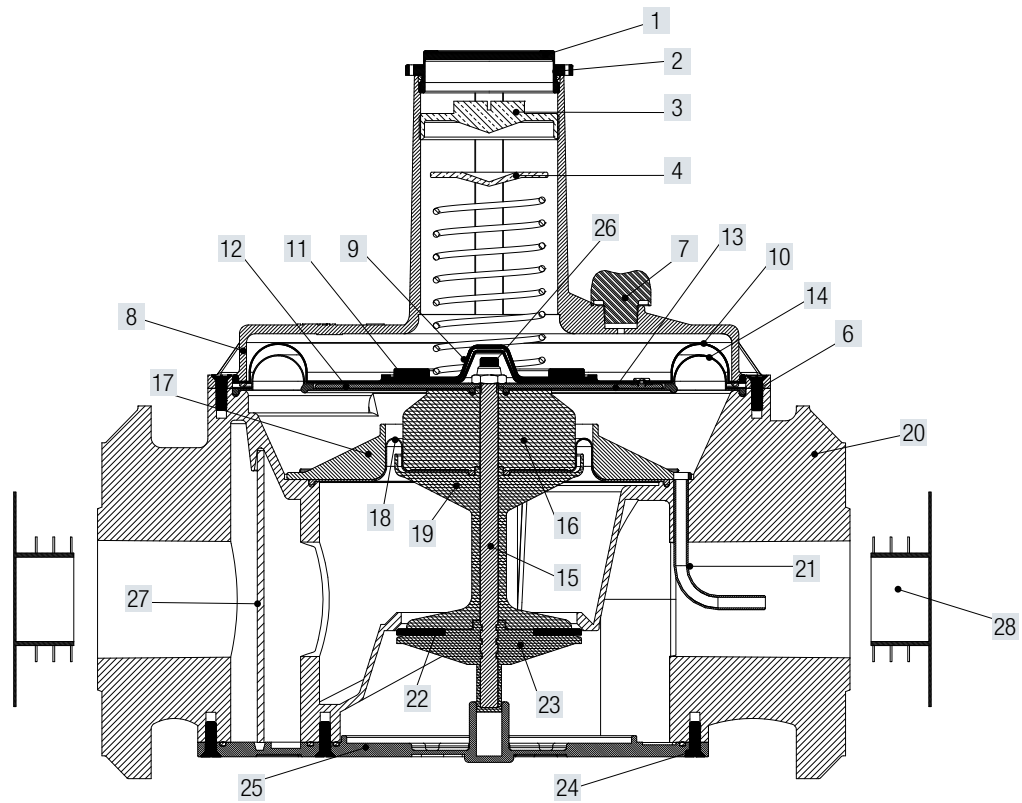
**TECHNICAL FEATURES**

<b>Pmax</b>	inlet max – 1 bar
<b>Setting outlet</b>	6 – 130 mbar – Standard spring supplied 10 – 27 mbar – Other spring on request
<b>Filtering</b>	≤ 50µm – Viledon cartridge
<b>Inlet - Outlet Connection</b>	Flanged connection DN65 DN80 - DN100 - PN16
<b>Test point</b>	Inlet / outlet on request – Test point 1/8" NPT
<b>Working Temperature</b>	- 20 °C – + 60 °C
<b>Use</b>	Not aggressive gases of three families – Natural Gas – LPG – Town Gas
<b>Approval</b>	UNI EN 88-2:2008 / PED / EAC

**Materials:**

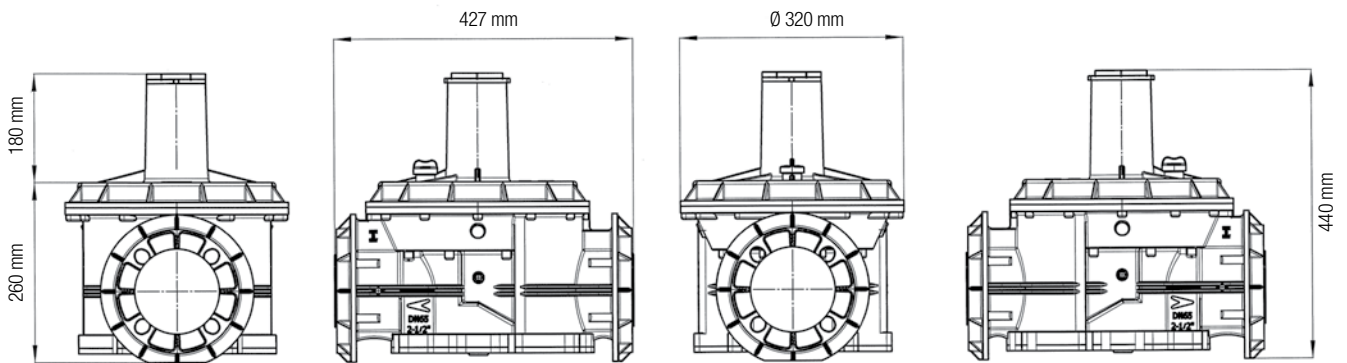
<b>Complete Body</b>	Die – Cast Aluminium Gd – AlSi12Cu - EN AB 46100
<b>Diaphragms</b>	NBR 60Sh – DvGW EN 549
<b>Plastic components</b>	White POM / Pa 66 + 25% Gf

Spring Range:	Color	Range mbar
<b>SPY4-12</b>	Yellow	6 - 22 mbar
<b>SPN4-12</b>	Neutral	10 - 27 mbar
<b>SPR4-12</b>	Red	28 - 70 mbar
<b>SPBK4-12</b>	Black	60 - 130 mbar



1	Seal cap
2	O-Ring
3	Spring compressor
4	Washer
6	Screws
7	Vent cap
8	Upper cover
9	Plastic Washer
10	Safety diaphragm
11	Calibrated nozzle
12	Washer
13	Disc
14	Compensation diaphragm

15	Shaft
16	Upper bush
17	Disc
18	Working diaphragm
19	Lower bush
20	Body
21	Sensing tube
22	Seal washer
23	Plastic ring
24	Gasket
25	Cover
26	Nut
27	Filter cartridge
28	Screw cover



Dimension	DN65	DN80	DN100
WEIGHT (kgs)	16	15,3	14,6

*Gas Governors Pmax 2 bar*



# Gas Governors Pmax 2 bar

## GAS GOVERNOR 2 BAR

---

GAS GOVERNOR 1/2", 3/4" and 1" – Pmax 2 bar p. 40

---

Gas Governor 1/2", 3/4" and 1"  
High Capacity - Pmax 2 bar p. 42

---

GAS GOVERNOR 1 1/4", 1 1/2" – Pmax 2 bar p. 44

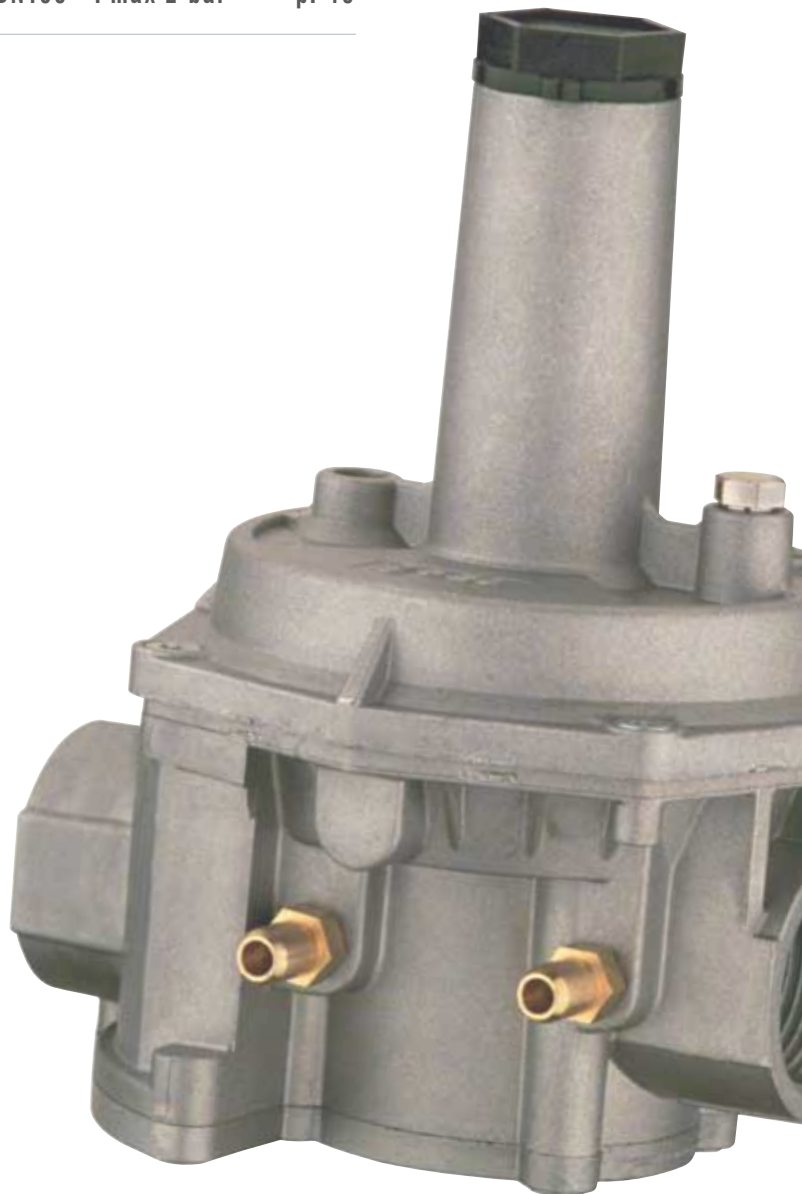
---

GAS GOVERNOR 2" – Pmax 2 bar p. 46

---

GAS GOVERNOR DN65, DN80, DN100 - Pmax 2 bar p. 48

---



## GAS GOVERNOR 1/2", 3/4" and 1" – Pmax 2 bar



Code	Description	Dimension	Pmax
<b>RG015-2B</b>	Gas Governor	1/2"	2 bar
<b>RG020-2B</b>	Gas Governor	3/4"	2 bar
<b>RG025-2B</b>	Gas Governor	1"	2 bar
<b>RGD25-2B</b>	Gas Governor	DN25	2 bar
<b>RG015-FT-2B</b>	Gas Governor with filter	1/2"	2 bar
<b>RG020-FT-2B</b>	Gas Governor with filter	3/4"	2 bar
<b>RG025-FT-2B</b>	Gas Governor with filter	1"	2 bar
<b>RGD25-FT-2B</b>	Gas Governor with filter	DN25	2 bar
<b>RG015-2B-TPIO</b>	Gas Governor with test point in/out	1/2"	2 bar
<b>RG020-2B-TPIO</b>	Gas Governor with test point in/out	3/4"	2 bar
<b>RG025-2B-TPIO</b>	Gas Governor with test point in/out	1"	2 bar
<b>RGD25-2B-TPIO</b>	Gas Governor with test point in/out	DN25	2 bar
<b>RG015-FT-2B-TPIO</b>	Gas Governor with filter and test point in/out	1/2"	2 bar
<b>RG020-FT-2B-TPIO</b>	Gas Governor with filter and test point in/out	3/4"	2 bar
<b>RG025-FT-2B-TPIO</b>	Gas Governor with filter and test point in/out	1"	2 bar
<b>RGD25-FT-2B-TPIO</b>	Gas Governor with filter and test point in/out	DN25	2 bar

### TECHNICAL FEATURES

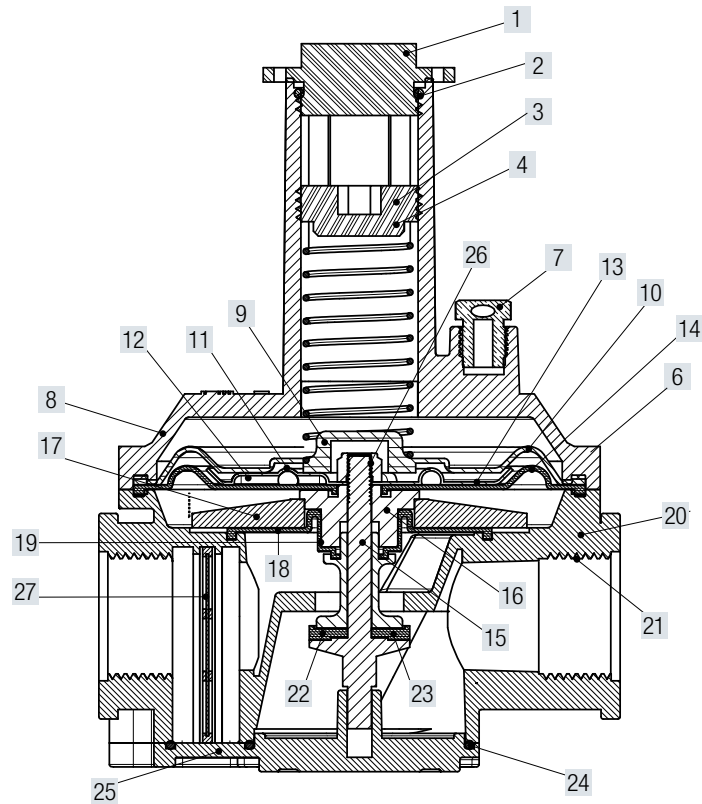
<b>Pmax</b>	inlet max – 2 bar
<b>Setting outlet</b>	6 – 480 mbar – Standard spring supplied 10 – 27 mbar – Other spring on request – Range as per below table
<b>Filtering</b>	≤ 50µm –
<b>Inlet - Outlet Connection</b>	Thread gas 1/2", 3/4" 1" - ISO 228 DN25 - Sliding Aluminium flange PN10
<b>Test point</b>	1/8" NPT
<b>Working Temperature</b>	- 20 °C – + 60 °C
<b>Use</b>	Not aggressive gases of three families – Natural Gas – LPG – Town Gas
<b>Approval</b>	UNI EN 88-2:2008 / PED / EAC

### Materials:

<b>Complete Body</b>	Die – Cast Aluminium Gd – AlSi12Cu - EN AB 46100
<b>Diaphragms</b>	NBR 60Sh – DvGW EN 549 - reinforced diaphragm
<b>Plastic components</b>	Yellow POM / Pa 66 + 25% Gf

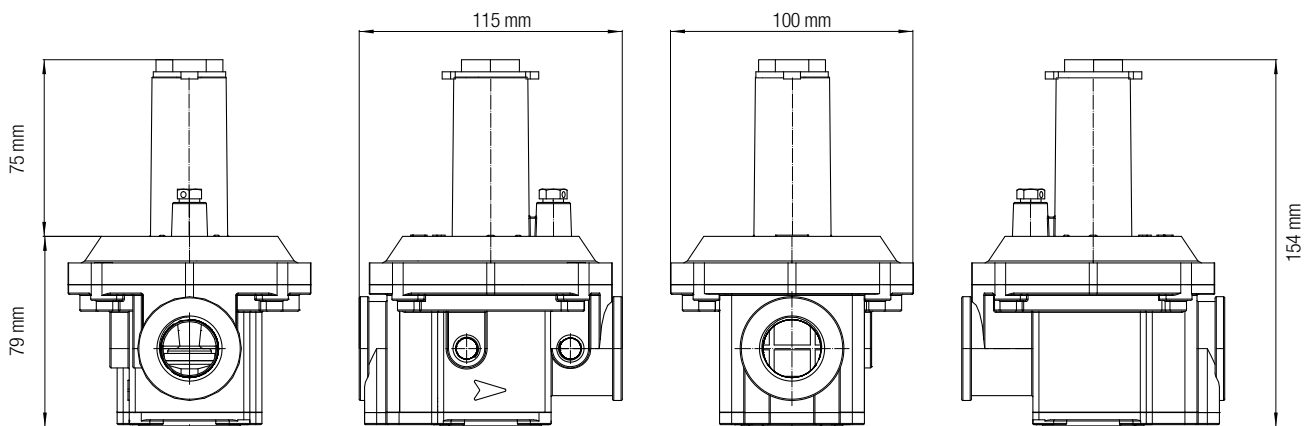
Code:	Color	Range mbar
<b>SPY1-12</b>	Yellow	6 - 22 mbar
<b>SPN1-12</b>	Neutral	10 - 27 mbar
<b>SPR1-12</b>	Red	28 - 70 mbar
<b>SPG1 -12</b>	Green	70 - 280 mbar
<b>SPBR1-12</b>	Brown	220 - 480 mbar





1	Seal cap
2	O ring
3	Spring compressor
4	Washer
6	Screws
7	Vent cap
8	Upper cover
9	Plastic Washer
10	Safety diaphragm
11	Calibrated nozzle
12	Washer
13	Disc
14	Compensation diaphragm

15	Shaft
16	Upper bush
17	Disc
18	Working diaphragm
19	Lower bush
20	Body
21	Sensing tube
22	Seal washer
23	Plastic ring
24	Gasket
25	Cover
26	Nut
27	Filter cartridge



Dimension	1/2"	3/4"	1"
WEIGHT (kgs)	0,720	0,688	0,663

## GAS GOVERNOR ½", ¾" and 1" - High Capacity - Pmax 2 bar



Code	Description	Dimension	Pmax
<b>RG015-HC-2B</b>	Gas Governor	½"	2 bar
<b>RG020-HC-2B</b>	Gas Governor	¾"	2 bar
<b>RG025-HC-2B</b>	Gas Governor	1"	2 bar
<b>RGD25-HC-2B</b>	Gas Governor	DN25	2 bar
<b>RG015-HC-FT-2B</b>	Gas Governor with filter	½"	2 bar
<b>RG020-HC-FT-2B</b>	Gas Governor with filter	¾"	2 bar
<b>RG025-HC-FT-2B</b>	Gas Governor with filter	1"	2 bar
<b>RGD25-HC-FT-2B</b>	Gas Governor with filter	DN25	2 bar
<b>RG015-HC-2B-TPIO</b>	Gas Governor with test point in/out	½"	2 bar
<b>RG020-HC-2B-TPIO</b>	Gas Governor with test point in/out	¾"	2 bar
<b>RG025-HC-2B-TPIO</b>	Gas Governor with test point in/out	1"	2 bar
<b>RGD25-HC-2B-TPIO</b>	Gas Governor with test point in/out	DN25	2 bar
<b>RG015-HC-FT-2B-TPIO</b>	Gas Governor with filter and test point in/out	½"	2 bar
<b>RG020-HC-FT-2B-TPIO</b>	Gas Governor with filter and test point in/out	¾"	2 bar
<b>RG025-HC-FT-2B-TPIO</b>	Gas Governor with filter and test point in/out	1"	2 bar
<b>RGD25-HC-FT-2B-TPIO</b>	Gas Governor with filter and test point in/out	DN25	2 bar

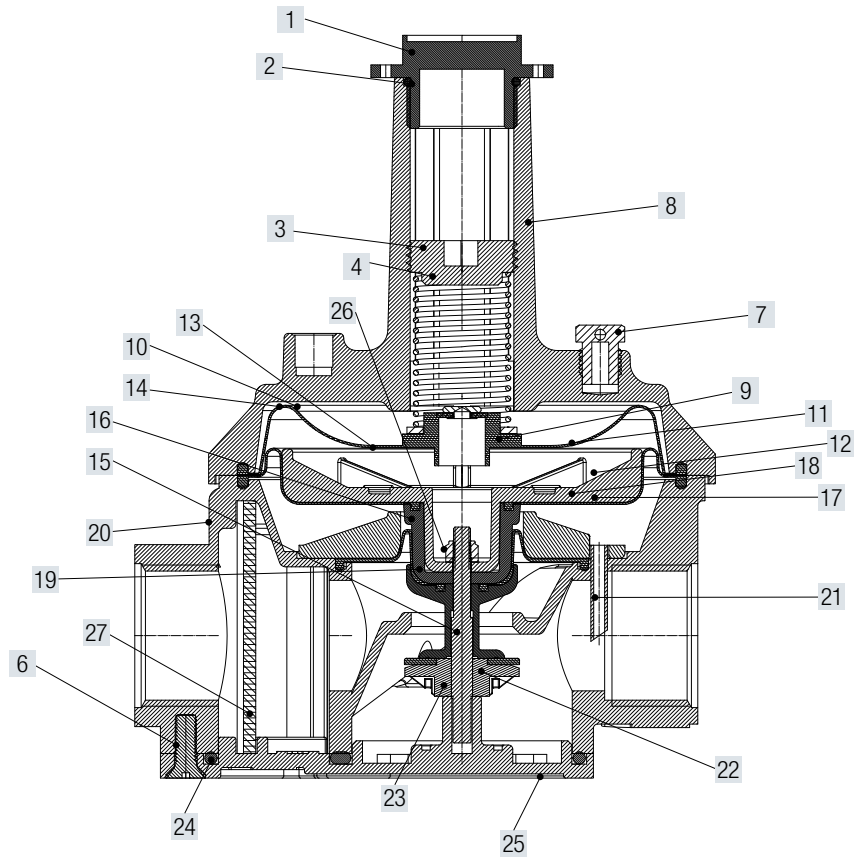
### TECHNICAL FEATURES

<b>Pmax</b>	inlet max – 2 bar
<b>Setting outlet</b>	6 – 480 mbar – Standard spring supplied 10 – 27 mbar – Other spring on request – Range as per below table
<b>Filtering</b>	≤ 50µm –
<b>Inlet - Outlet Connection</b>	Thread gas ½", ¾" 1" - ISO 228 DN25 - Sliding Aluminium flange PN10
<b>Test point</b>	1/8" NPT
<b>Working Temperature</b>	- 20 °C – + 60 °C
<b>Use</b>	Not aggressive gases of three families – Natural Gas – LPG – Town Gas
<b>Approval</b>	UNI EN 88-2:2008 / PED / EAC

### Materials:

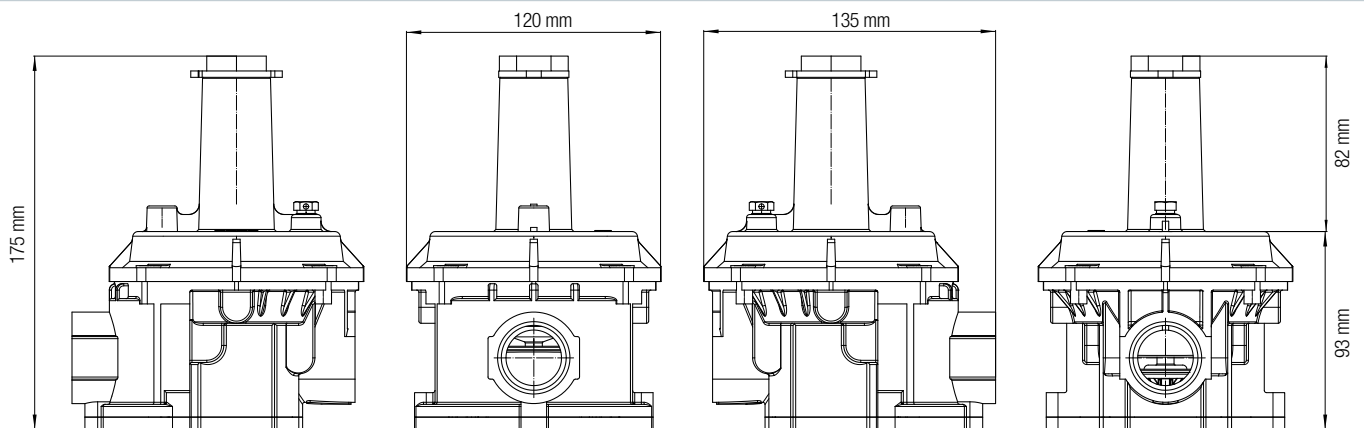
<b>Complete Body</b>	Die – Cast Aluminium Gd – AlSi12Cu - EN AB 46100
<b>Diaphragms</b>	NBR 60Sh – DvGW EN 549 - reinforced diaphragm
<b>Plastic components</b>	Yellow POM / Pa 66 + 25% Gf

Code:	Color	Range mbar
<b>SPY1-12HC</b>	Yellow	6 - 22 mbar
<b>SPN1-12HC</b>	Neutral	10 - 27 mbar
<b>SPR1-12HC</b>	Red	28 - 70 mbar
<b>SPG1-12HC</b>	Green	70 - 280 mbar
<b>SPBR2-12HC</b>	Brown	220 - 480 mbar



1	Seal cap
2	O ring
3	Spring compressor
4	Washer
6	Screws
7	Vent cap
8	Upper cover
9	Plastic Washer
10	Safety diaphragm
11	Calibrated nozzle
12	Washer
13	Disc
14	Compensation diaphragm

15	Shaft
16	Upper bush
17	Disc
18	Working diaphragm
19	Lower bush
20	Body
21	Sensing tube
22	Seal washer
23	Plastic ring
24	Gasket
25	Cover
26	Nut
27	Filter cartridge



Dimension	1/2"	3/4"	1"
WEIGHT (kgs)	0,980	0,955	0,915

## GAS GOVERNOR 1 ¼", 1 ½" – Pmax 2 bar



Code	Description	Dimension	Pmax
RG032-2B	Gas Governor	1 ¼"	2 bar
RG040-2B	Gas Governor	1 ½"	2 bar
RGD32-2B	Gas Governor	DN32	2 bar
RGD40-2B	Gas Governor	DN40	2 bar
RG032-FT-2B	Gas Governor with filter	1 ¼"	2 bar
RG040-FT-2B	Gas Governor with filter	1 ½"	2 bar
RGD32-FT-2B	Gas Governor with filter	DN32	2 bar
RGD40-FT-2B	Gas Governor with filter	DN40	2 bar
RG032-2B-TPIO	Gas Governor with test point in/out	1 ¼"	2 bar
RG040-2B-TPIO	Gas Governor with test point in/out	1 ½"	2 bar
RGD32-2B-TPIO	Gas Governor with test point in/out	DN32	2 bar
RGD40-2B-TPIO	Gas Governor with test point in/out	DN40	2 bar
RG032-FT-2B-TPIO	Gas Governor with filter test point in/out	1 ¼"	2 bar
RG040-FT-2B-TPIO	Gas Governor with filter test point in/out	1 ½"	2 bar
RGD32-FT-2B-TPIO	Gas Governor with filter test point in/out	DN32	2 bar
RGD40-FT-2B-TPIO	Gas Governor with filter test point in/out	DN40	2 bar

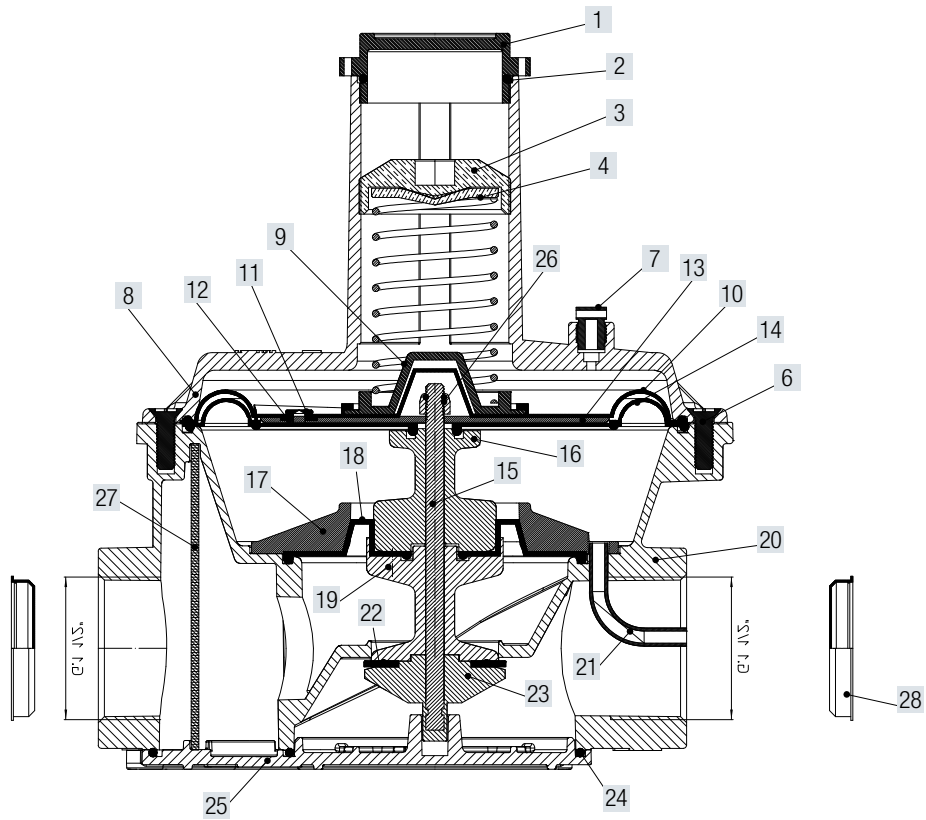
### TECHNICAL FEATURES

<b>Pmax</b>	inlet max – 2 bar
<b>Setting outlet</b>	6 – 480 mbar – Standard spring supplied 10 – 27 mbar – Other spring on request – Range as per below table
<b>Filtering</b>	≤ 50µm – Viledon cartridge
<b>Inlet - Outlet Connection</b>	Thread gas 1 ¼" 1 ½" - ISO 228 DN32 DN40 - Sliding Aluminium flange PN10
<b>Test point</b>	1/8" NPT
<b>Working Temperature</b>	- 20 °C – + 60 °C
<b>Use</b>	Not aggressive gases of three families – Natural Gas – LPG – Town Gas
<b>Approval</b>	UNI EN 88-2:2008 / PED / EAC

### Materials:

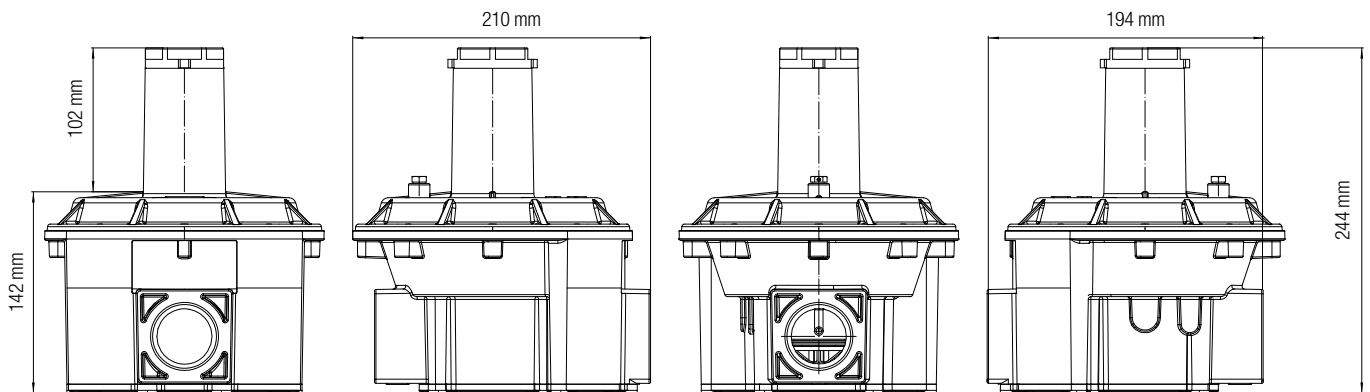
<b>Complete Body</b>	Die – Cast Aluminium Gd – AISi12Cu - EN AB 46100
<b>Diaphragms</b>	NBR 60Sh – DvGW EN 549 - reinforced diaphragm
<b>Plastic components</b>	White POM / Pa 66 + 25% Gf

Code:	Color	Range mbar
SPY2-12	Yellow	6 - 22 mbar
SPN2-12	Neutral	10 - 27 mbar
SPR2-12	Red	28 - 70 mbar
SPBK2-12	Black	60 - 130 mbar
SPG2-12	Green	120 - 300 mbar
SPBR2-12	Brown	220 - 480 mbar



1	Seal cap
2	O ring
3	Spring compressor
4	Washer
6	Screws
7	Vent cap
8	Upper cover
9	Plastic Washer
10	Safety diaphragm
11	Calibrated nozzle
12	Washer
13	Disc
14	Compensation diaphragm

15	Shaft
16	Upper bush
17	Disc
18	Working diaphragm
19	Lower bush
20	Body
21	Sensing tube
22	Seal washer
23	Plastic ring
24	Gasket
25	Cover
26	Nut
27	Filter cartridge
28	Screw cover



Dimension	1 1/4"	1 1/2"
WEIGHT (kgs)	3,140	3,060

## GAS GOVERNOR 2" – Pmax 2 bar



Code	Description	Dimension	Pmax
<b>RG050-2B</b>	Gas Governor	2"	2 bar
<b>RGD50-2B</b>	Gas Governor	DN50	2 bar
<b>RG050-FT-2B</b>	Gas Governor with filter	2"	2 bar
<b>RGD50-FT-2B</b>	Gas Governor with filter	DN50	2 bar
<b>RG050-2B-TPIO</b>	Gas Governor with test point in/out	2"	2 bar
<b>RGD50-2B-TPIO</b>	Gas Governor with test point in/out	DN50	2 bar
<b>RG050-FT-2B-TPIO</b>	Gas Governor with filter and test point in/out	2"	2 bar
<b>RGD50-FT-2B-TPIO</b>	Gas Governor with filter and test point in/out	DN50	2 bar

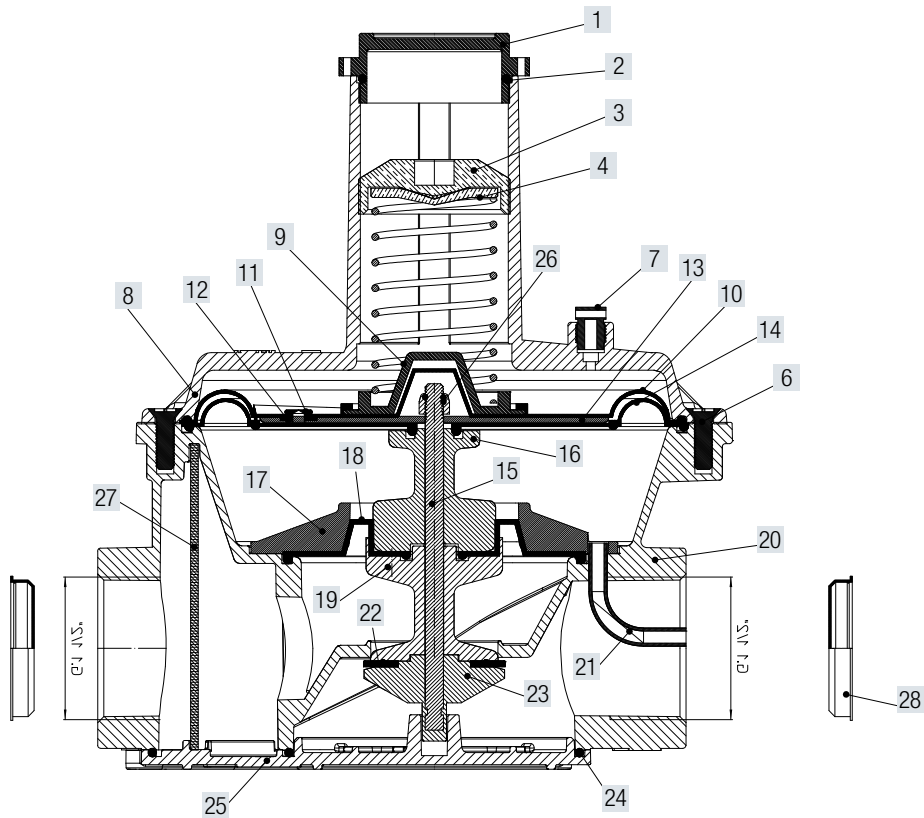
### TECHNICAL FEATURES

<b>Pmax</b>	inlet max – 2 bar
<b>Setting outlet</b>	6 – 480 mbar – Standard spring supplied 10 – 27 mbar – Other spring on request – Range as per below table
<b>Filtering</b>	≤ 50µm – Viledon cartridge
<b>Inlet - Outlet Connection</b>	Thread gas 2" - ISO 228 DN50 - Sliding Aluminium flange PN10
<b>Test point</b>	1/8" NPT
<b>Working Temperature</b>	- 20 °C / + 60 °C
<b>Use</b>	Not aggressive gases of three families – Natural Gas – LPG – Town Gas
<b>Approval</b>	UNI EN 88-2:2008 / PED / EAC

### Materials:

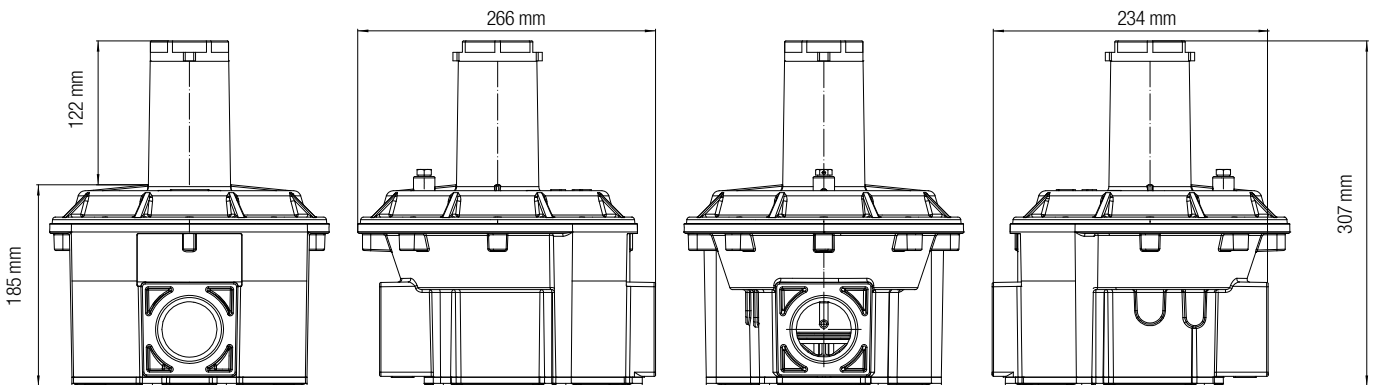
<b>Complete Body</b>	Die – Cast Aluminium Gd – AlSi12Cu - EN AB 46100
<b>Diaphragms</b>	NBR 60Sh – DvGW EN 549 - reinforced diaphragm
<b>Plastic components</b>	White POM / Pa 66 + 25% Gf

Code:	Color	Range mbar
<b>SPY3-12</b>	Yellow	6 - 22 mbar
<b>SPN3-12</b>	Neutral	10 - 27 mbar
<b>SPR3-12</b>	Red	28 - 70 mbar
<b>SPBK3-12</b>	Black	60 - 130 mbar
<b>SPG3-12</b>	Green	120 - 300 mbar
<b>SPBR3-12</b>	Brown	220 - 480 mbar



1	Seal cap
2	O ring
3	Spring compressor
4	Washer
6	Screws
7	Vent cap
8	Upper cover
9	Plastic Washer
10	Safety diaphragm
11	Calibrated nozzle
12	Washer
13	Disc
14	Compensation diaphragm

15	Shaft
16	Upper bush
17	Disc
18	Working diaphragm
19	Lower bush
20	Body
21	Sensing tube
22	Seal washer
23	Plastic ring
24	Gasket
25	Cover
26	Nut
27	Filter cartridge
28	Screw cover



Dimension	2"
WEIGHT (kgs)	5,8

## GAS GOVERNOR DN65, DN80, DN100 - Pmax 2 bar



Code	Description	Dimension	Pmax
<b>RGD65-2B</b>	Gas Governor	DN65	2 bar
<b>RGD80-2B</b>	Gas Governor	DN80	2 bar
<b>RGD100-2B</b>	Gas Governor	DN100	2 bar
<b>RGD65-FT-2B</b>	Gas Governor with filter	DN65	2 bar
<b>RGD80-FT-2B</b>	Gas Governor with filter	DN80	2 bar
<b>RGD100-FT-2B</b>	Gas Governor with filter	DN100	2 bar
<b>RGD65-2B-TPIO</b>	Gas Governor with test point in/out	DN65	2 bar
<b>RGD80-2B-TPIO</b>	Gas Governor with test point in/out	DN80	2 bar
<b>RGD100-2B-TPIO</b>	Gas Governor with test point in/out	DN100	2 bar
<b>RGD65-FT-2B-TPIO</b>	Gas Governor with filter and test point in/out	DN65	2 bar
<b>RGD80-FT-2B-TPIO</b>	Gas Governor with filter and test point in/out	DN80	2 bar
<b>RGD100-FT-2B-TPIO</b>	Gas Governor with filter and test point in/out	DN100	2 bar

### TECHNICAL FEATURES

<b>Pmax</b>	inlet max – 2 bar
<b>Setting outlet</b>	6 – 130 mbar – Standard spring supplied 10 – 27 mbar – Other spring on request
<b>Filtering</b>	≤ 50µm – Viledon cartridge
<b>Inlet - Outlet Connection</b>	Flanged connection DN65 DN80 - DN100 - PN16
<b>Test point</b>	Inlet / outlet on request – Test point 1/8" NPT
<b>Working Temperature</b>	- 20 °C – + 60 °C
<b>Use</b>	Not aggressive gases of three families – Natural Gas – LPG – Town Gas
<b>Approval</b>	UNI EN 88-2:2008 / PED / EAC

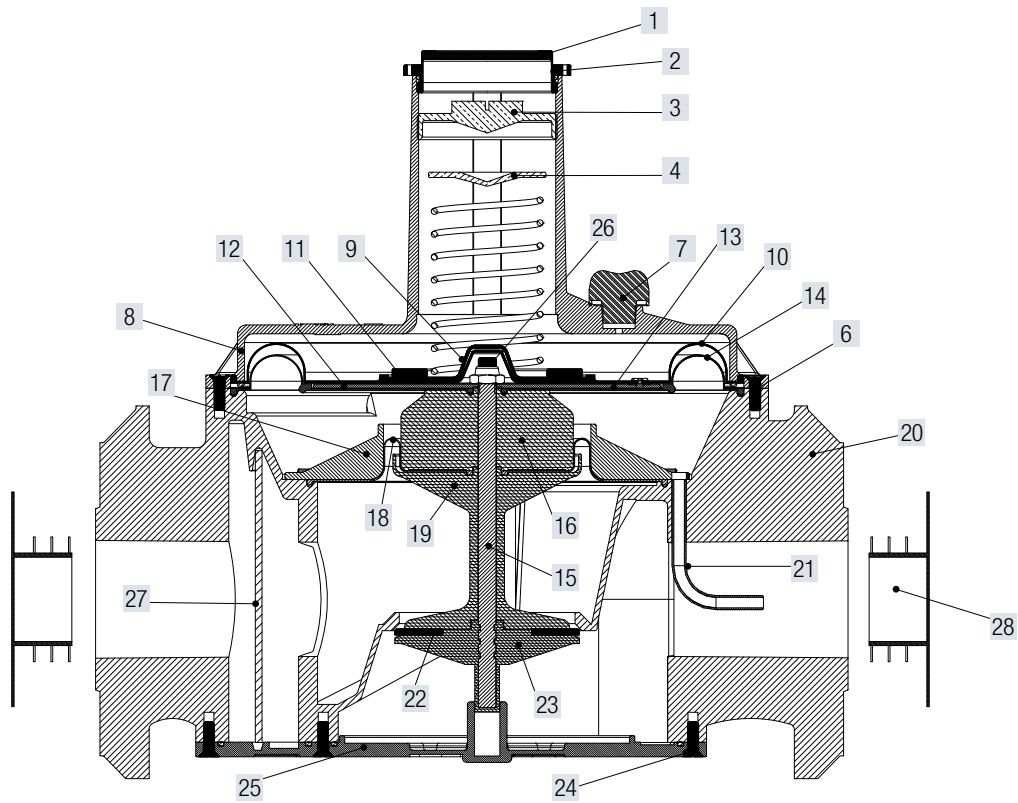
### Materials:

<b>Complete Body</b>	Die – Cast Aluminium Gd – AISi12Cu - EN AB 46100
<b>Diaphragms</b>	NBR 60Sh – DvGW EN 549 - reinforced diaphragm
<b>Plastic components</b>	White POM / Pa 66 + 25% Gf

### Spring Range:

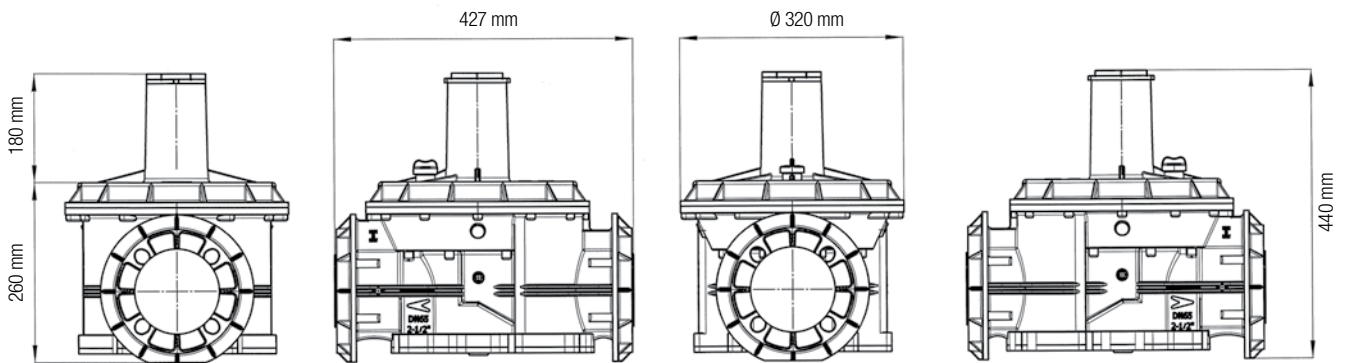
	Color	Range mbar
<b>SPY4-12</b>	Yellow	6 - 22 mbar
<b>SPN4-12</b>	Neutral	10 - 27 mbar
<b>SPR4-12</b>	Red	28 - 70 mbar
<b>SPBK4-12</b>	Black	60 - 130 mbar





1	Seal cap
2	O-Ring
3	Spring compressor
4	Washer
6	Screws
7	Vent cap
8	Upper cover
9	Plastic Washer
10	Safety diaphragm
11	Calibrated nozzle
12	Washer
13	Disc
14	Compensation diaphragm

15	Shaft
16	Upper bush
17	Disc
18	Working diaphragm
19	Lower bush
20	Body
21	Sensing tube
22	Seal washer
23	Plastic ring
24	Gasket
25	Cover
26	Nut
27	Filter cartridge
28	Screw cover



Dimension	DN65	DN80	DN100
WEIGHT (kgs)	16	15,3	14,6

*Gas Governors Pmax 5 bar*



# Gas Governors Pmax 5 bar

## GAS GOVERNOR PMAX 5 BAR

---

GAS GOVERNOR 1/2", 3/4", 1" – Pmax 5 bar p. 52

---

Gas Governor 1/2", 3/4", 1" - High Capacity - 5 bar p. 54

---

GAS GOVERNOR 1 1/4", 1 1/2" – Pmax 5 bar p. 56

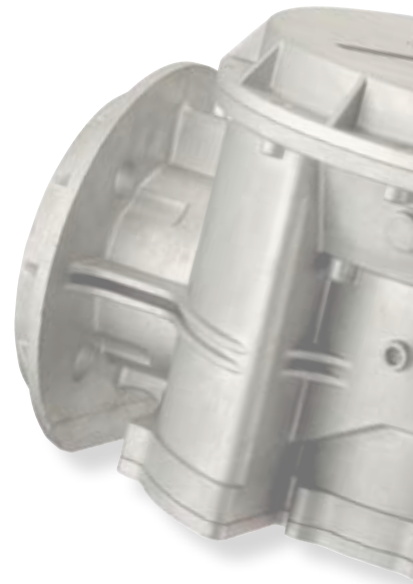
---

GAS GOVERNOR 2" – Pmax 5 bar p. 58

---

GAS GOVERNOR DN65, DN80, DN100 - Pmax 5 bar p. 60

---



**GAS GOVERNOR ½", ¾", 1" – Pmax 5 bar**



Code	Description	Dimension	Pmax
<b>RG015-5B</b>	Gas Governor	½"	5 bar
<b>RG020-5B</b>	Gas Governor	¾"	5 bar
<b>RG025-5B</b>	Gas Governor	1"	5 bar
<b>RGD25-5B</b>	Gas Governor	DN25	5 bar
<b>RG015-FT-5B</b>	Gas Governor with filter	½"	5 bar
<b>RG020-FT-5B</b>	Gas Governor with filter	¾"	5 bar
<b>RG025-FT-5B</b>	Gas Governor with filter	1"	5 bar
<b>RGD25-FT-5B</b>	Gas Governor with filter	DN25	5 bar
<b>RG015-5B-TPIO</b>	Gas Governor with test point in/out	½"	5 bar
<b>RG020-5B-TPIO</b>	Gas Governor with test point in/out	¾"	5 bar
<b>RG025-5B-TPIO</b>	Gas Governor with test point in/out	1"	5 bar
<b>RGD25-5B-TPIO</b>	Gas Governor with test point in/out	DN25	5 bar
<b>RG015-FT-5B-TPIO</b>	Gas Governor with filter and test point in/out	½"	5 bar
<b>RG020-FT-5B-TPIO</b>	Gas Governor with filter and test point in/out	¾"	5 bar
<b>RG025-FT-5B-TPIO</b>	Gas Governor with filter and test point in/out	1"	5 bar
<b>RGD25-FT-5B-TPIO</b>	Gas Governor with filter and test point in/out	DN25	5 bar

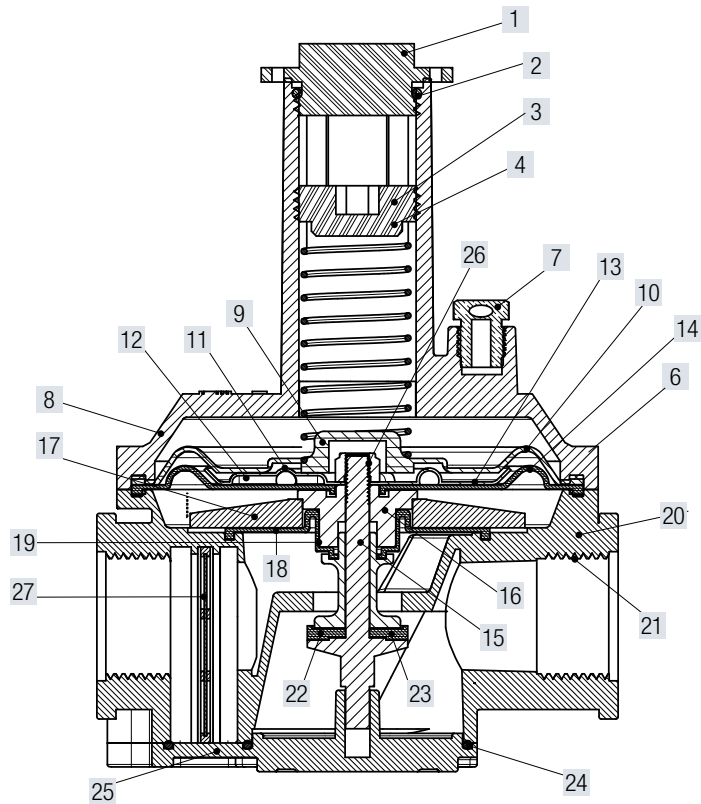
**TECHNICAL FEATURES**

<b>Pmax</b>	inlet max – 5 bar
<b>Setting outlet</b>	6 – 480 mbar – Standard spring supplied 10 – 27 mbar – Other spring on request – Range as per below table
<b>Filtering</b>	≤ 50µm –
<b>Inlet - Outlet Connection</b>	Thread gas ½", ¾" 1" - ISO 228 DN25 - Sliding Aluminium flange PN10
<b>Test point</b>	1/8" NPT
<b>Working Temperature</b>	- 20 °C – + 60 °C
<b>Use</b>	Not aggressive gases of three families – Natural Gas – LPG – Town Gas
<b>Approval</b>	UNI EN 88-2:2008 / PED / EAC

**Materials:**

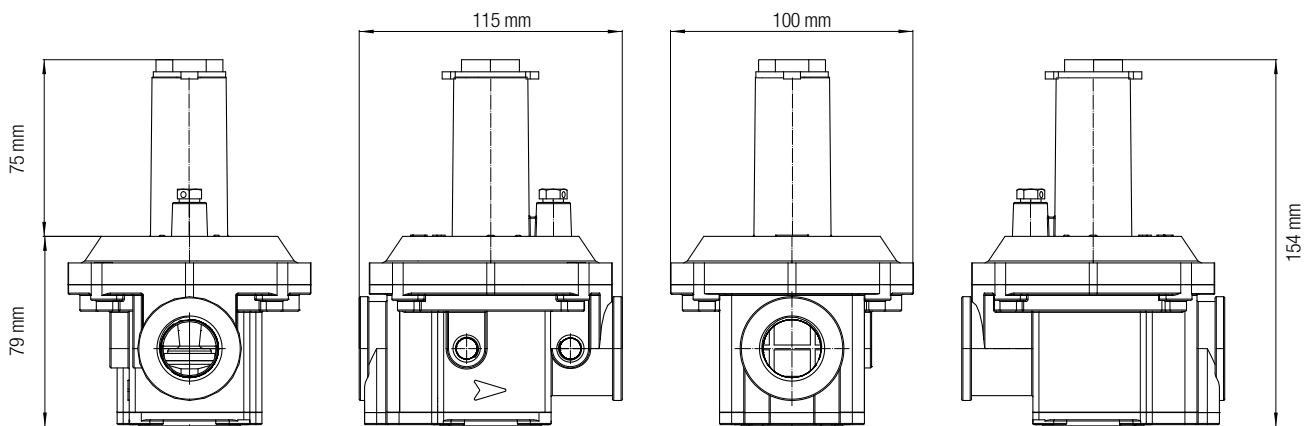
<b>Complete Body</b>	Die – Cast Aluminium Gd – AlSi12Cu - EN AB 46100
<b>Diaphragms</b>	NBR 60Sh – DvGW EN 549 - reinforced diaphragm
<b>Plastic components</b>	Yellow POM / Pa 66 + 25% Gf

Code:	Color	Range mbar
<b>SPY1-12</b>	Yellow	6 - 22 mbar
<b>SPN1-12</b>	Neutral	10 - 27 mbar
<b>SPR1-12</b>	Red	28 - 70 mbar
<b>SPG1 -12</b>	Green	70 - 280 mbar
<b>SPBR1-12</b>	Brown	220- 480 mbar



1	Seal cap
2	O ring
3	Spring compressor
4	Washer
6	Screws
7	Vent cap
8	Upper cover
9	Plastic Washer
10	Safety diaphragm
11	Calibrated nozzle
12	Washer
13	Disc
14	Compensation diaphragm

15	Shaft
16	Upper bush
17	Disc
18	Working diaphragm
19	Lower bush
20	Body
21	Sensing tube
22	Seal washer
23	Plastic ring
24	Gasket
25	Cover
26	Nut
27	Filter cartridge



Dimension	1/2"	3/4"	1"
WEIGHT (kgs)	0,720	0,688	0,663

## GAS GOVERNOR ½", ¾", 1" - High Capacity - 5 bar



Code	Description	Dimension	Pmax
<b>RG015-HC-5B</b>	Gas Governor	½"	5 bar
<b>RG020-HC-5B</b>	Gas Governor	¾"	5 bar
<b>RG025-HC-5B</b>	Gas Governor	1"	5 bar
<b>RGD25-HC-5B</b>	Gas Governor	DN25	5 bar
<b>RG015-HC-FT-5B</b>	Gas Governor with filter	½"	5 bar
<b>RG020-HC-FT-5B</b>	Gas Governor with filter	¾"	5 bar
<b>RG025-HC-FT-5B</b>	Gas Governor with filter	1"	5 bar
<b>RGD25-HC-FT-5B</b>	Gas Governor with filter	DN25	5 bar
<b>RG015-HC-5B-TPIO</b>	Gas Governor with test point in/out	½"	5 bar
<b>RG020-HC-5B-TPIO</b>	Gas Governor with test point in/out	¾"	5 bar
<b>RG025-HC-5B-TPIO</b>	Gas Governor with test point in/out	1"	5 bar
<b>RGD25-HC-5B-TPIO</b>	Gas Governor with test point in/out	DN25	5 bar
<b>RG015-HC-FT-5B-TPIO</b>	Gas Governor with filter and test point in/out	½"	5 bar
<b>RG020-HC-FT-5B-TPIO</b>	Gas Governor with filter and test point in/out	¾"	5 bar
<b>RG025-HC-FT-5B-TPIO</b>	Gas Governor with filter and test point in/out	1"	5 bar
<b>RGD25-HC-FT-5B-TPIO</b>	Gas Governor with filter and test point in/out	DN25	5 bar

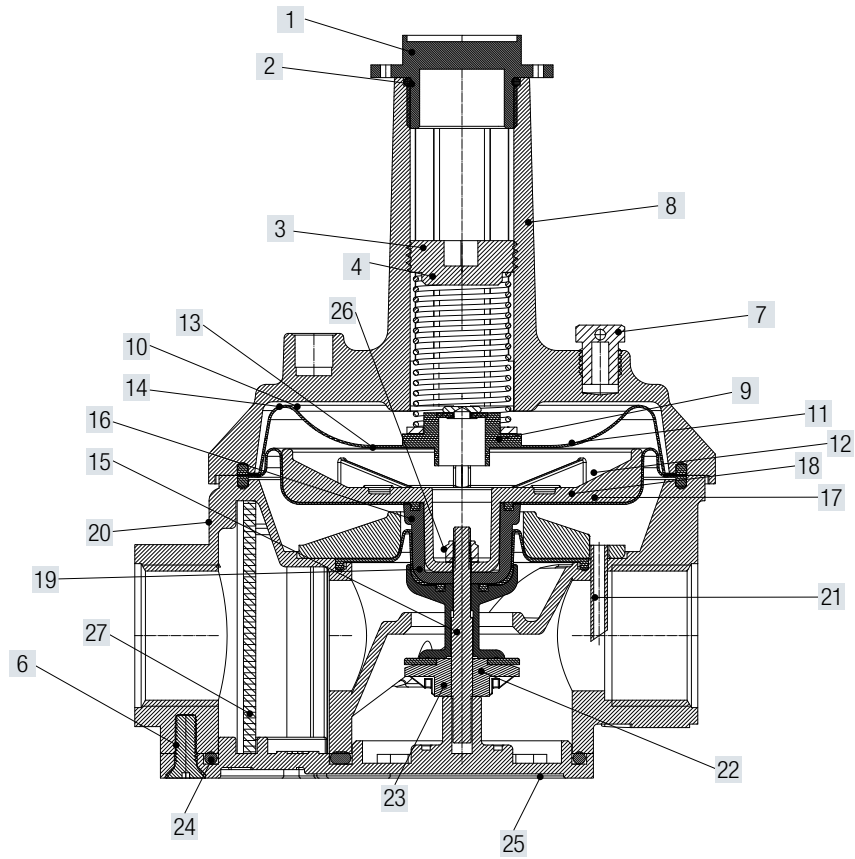
### TECHNICAL FEATURES

<b>Pmax</b>	inlet max – 5 bar
<b>Setting outlet</b>	6 – 480 mbar – Standard spring supplied 10 – 27 mbar – Other spring on request – Range as per below table
<b>Filtering</b>	≤ 50µm –
<b>Inlet - Outlet Connection</b>	Thread gas ½", ¾" 1" - ISO 228 DN25 - Sliding Aluminium flange PN10
<b>Test point</b>	1/8" NPT
<b>Working Temperature</b>	- 20 °C – + 60 °C
<b>Use</b>	Not aggressive gases of three families – Natural Gas – LPG – Town Gas
<b>Approval</b>	UNI EN 88-2:2008 / PED / EAC

### Materials:

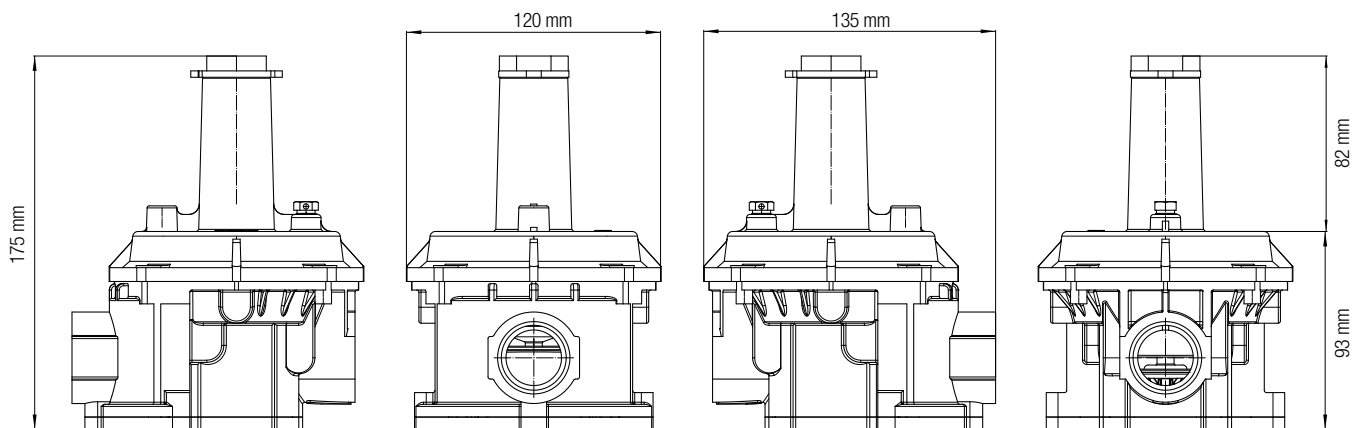
<b>Complete Body</b>	Die – Cast Aluminium Gd – AlSi12Cu - EN AB 46100
<b>Diaphragms</b>	NBR 60Sh – DvGW EN 549 - reinforced diaphragm
<b>Plastic components</b>	Yellow POM / Pa 66 + 25% Gf

Code:	Color	Range mbar
<b>SPY1-12HC</b>	Yellow	6 - 22 mbar
<b>SPN1-12HC</b>	Neutral	10 - 27 mbar
<b>SPR1-12HC</b>	Red	28 - 70 mbar
<b>SPG1-12HC</b>	Green	70 - 280 mbar
<b>SPBR2-12HC</b>	Brown	220 - 480 mbar



1	Seal cap
2	O ring
3	Spring compressor
4	Washer
6	Screws
7	Vent cap
8	Upper cover
9	Plastic Washer
10	Safety diaphragm
11	Calibrated nozzle
12	Washer
13	Disc
14	Compensation diaphragm

15	Shaft
16	Upper bush
17	Disc
18	Working diaphragm
19	Lower bush
20	Body
21	Sensing tube
22	Seal washer
23	Plastic ring
24	Gasket
25	Cover
26	Nut
27	Filter cartridge



Dimension	1/2"	3/4"	1"
WEIGHT (kgs)	0,980	0,955	0,915

## GAS GOVERNOR 1 ¼", 1 ½" – Pmax 5 bar



Code	Description	Dimension	Pmax
<b>RG032-5B</b>	Gas Governor	1 ¼"	5 bar
<b>RG040-5B</b>	Gas Governor	1 ½"	5 bar
<b>RGD32-5B</b>	Gas Governor	DN32	5 bar
<b>RGD40-5B</b>	Gas Governor	DN40	5 bar
<b>RG032-FT-5B</b>	Gas Governor with filter	1 ¼"	5 bar
<b>RG040-FT-5B</b>	Gas Governor with filter	1 ½"	5 bar
<b>RGD32-FT-5B</b>	Gas Governor with filter	DN32	5 bar
<b>RGD40-FT-5B</b>	Gas Governor with filter	DN40	5 bar
<b>RG032-5B-TPIO</b>	Gas Governor with test point in/out	1 ¼"	5 bar
<b>RG040-5B-TPIO</b>	Gas Governor with test point in/out	1 ½"	5 bar
<b>RGD32-5B-TPIO</b>	Gas Governor with test point in/out	DN32	5 bar
<b>RGD40-5B-TPIO</b>	Gas Governor with test point in/out	DN40	5 bar
<b>RG032-FT-5B-TPIO</b>	Gas Governor with filter test point in/out	1 ¼"	5 bar
<b>RG040-FT-5B-TPIO</b>	Gas Governor with filter test point in/out	1 ½"	5 bar
<b>RGD32-FT-5B-TPIO</b>	Gas Governor with filter test point in/out	DN32	5 bar
<b>RGD40-FT-5B-TPIO</b>	Gas Governor with filter test point in/out	DN40	5 bar

### TECHNICAL FEATURES

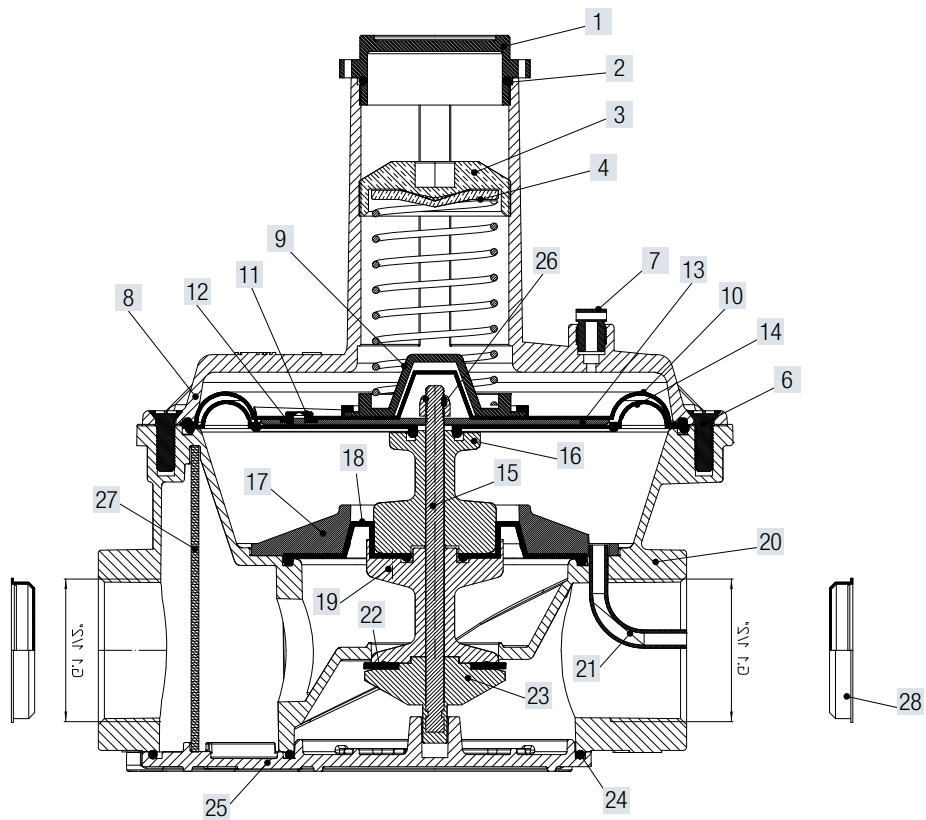
<b>Pmax</b>	inlet max – 5 bar
<b>Setting outlet</b>	6 – 480 mbar – Standard spring supplied 10 – 27 mbar – Other spring on request – Range as per below table
<b>Filtering</b>	≤ 50µm – Viledon cartridge
<b>Inlet - Outlet Connection</b>	Thread gas 1 ¼" 1½" - ISO 228 DN32 DN40 - Sliding Aluminium flange PN10
<b>Test point</b>	1/8" NPT
<b>Working Temperature</b>	- 20 °C – + 60 °C
<b>Use</b>	Not aggressive gases of three families – Natural Gas – LPG – Town Gas
<b>Approval</b>	UNI EN 88-2:2008 / PED / EAC

### Materials:

<b>Complete Body</b>	Die – Cast Aluminium Gd – AlSi12Cu - EN AB 46100
<b>Diaphragms</b>	NBR 60Sh – DvGW EN 549 - reinforced diaphragm
<b>Plastic components</b>	White POM / Pa 66 + 25% Gf

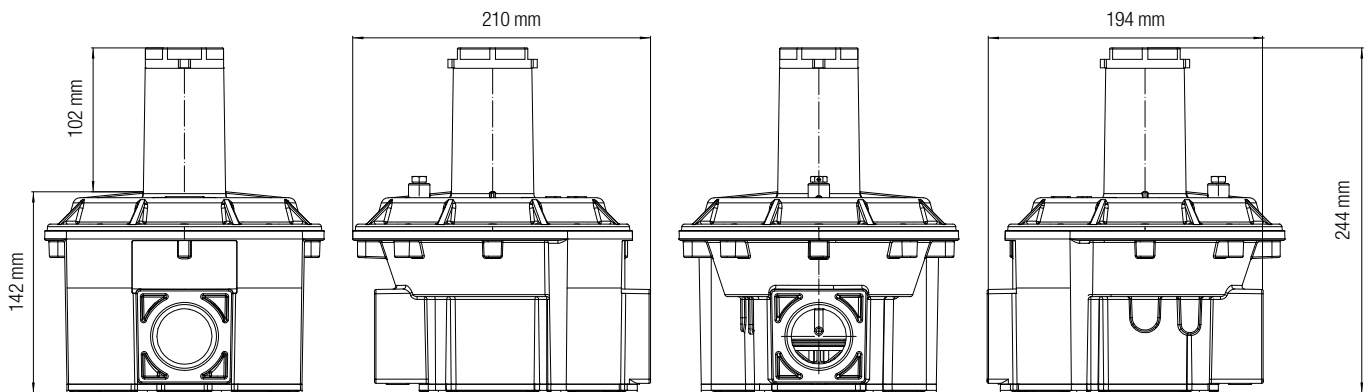
Code:	Color	Range mbar
<b>SPY2-12</b>	Yellow	6 - 22 mbar
<b>SPN2-12</b>	Neutral	10 - 27 mbar
<b>SPR2-12</b>	Red	28 - 70 mbar
<b>SPBK2-12</b>	Black	60 - 130 mbar
<b>SPG2-12</b>	Green	120 - 300 mbar
<b>SPBR2-12</b>	Brown	220 - 480 mbar





1	Seal cap
2	O ring
3	Spring compressor
4	Washer
6	Screws
7	Vent cap
8	Upper cover
9	Plastic Washer
10	Safety diaphragm
11	Calibrated nozzle
12	Washer
13	Disc
14	Compensation diaphragm

15	Shaft
16	Upper bush
17	Disc
18	Working diaphragm
19	Lower bush
20	Body
21	Sensing tube
22	Seal washer
23	Plastic ring
24	Gasket
25	Cover
26	Nut
27	Filter cartridge
28	Screw cover



Dimension	1 1/4"	1 1/2"
WEIGHT (kgs)	3,140	3,060

## GAS GOVERNOR 2" – Pmax 5 bar



Code	Description	Dimension	Pmax
<b>RG050-5B</b>	Gas Governor	2"	5 bar
<b>RGD50-5B</b>	Gas Governor	DN50	5 bar
<b>RG050-FT-5B</b>	Gas Governor with filter	2"	5 bar
<b>RGD50-FT-5B</b>	Gas Governor with filter	DN50	5 bar
<b>RG050-5B-TPIO</b>	Gas Governor with test point in/out	2"	5 bar
<b>RGD50-5B-TPIO</b>	Gas Governor with test point in/out	DN50	5 bar
<b>RG050-FT-5B-TPIO</b>	Gas Governor with filter and test point in/out	2"	5 bar
<b>RGD50-FT-5B-TPIO</b>	Gas Governor with filter and test point in/out	DN50	5 bar

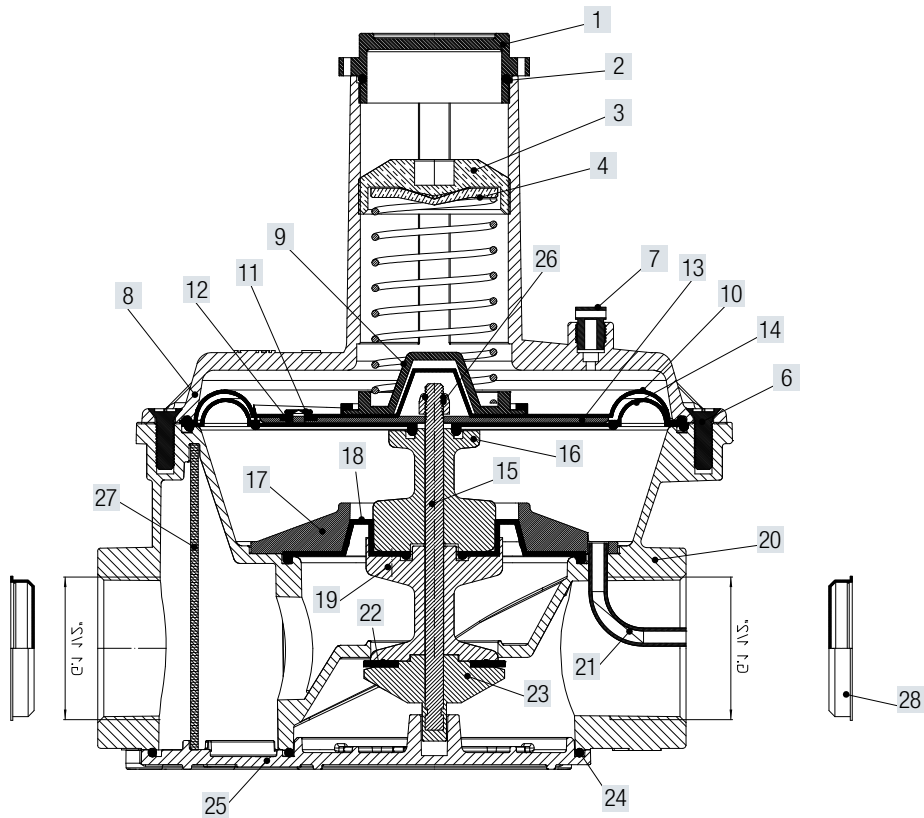
### TECHNICAL FEATURES

<b>Pmax</b>	inlet max – 5 bar
<b>Setting outlet</b>	6 – 480 mbar – Standard spring supplied 10 – 27 mbar – Other spring on request – Range as per below table
<b>Filtering</b>	≤ 50µm – Viledon cartridge
<b>Inlet - Outlet Connection</b>	Thread gas 2" - ISO 228 DN50 - Sliding Aluminium flange PN10
<b>Test point</b>	1/8" NPT
<b>Working Temperature</b>	- 20 °C – + 60 °C
<b>Use</b>	Not aggressive gases of three families – Natural Gas – LPG – Town Gas
<b>Approval</b>	UNI EN 88-2:2008 / PED / EAC

### Materials:

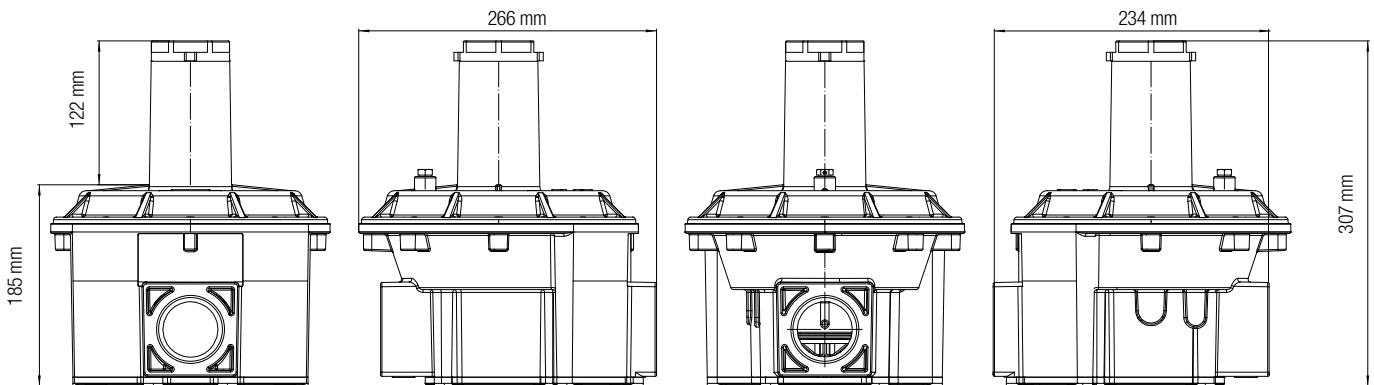
<b>Complete Body</b>	Die – Cast Aluminium Gd – AlSi12Cu - EN AB 46100
<b>Diaphragms</b>	NBR 60Sh – DvGW EN 549 - reinforced diaphragm
<b>Plastic components</b>	White POM / Pa 66 + 25% Gf

Code:	Color	Range mbar
<b>SPY3-12</b>	Yellow	6 - 22 mbar
<b>SPN3-12</b>	Neutral	10 - 27 mbar
<b>SPR3-12</b>	Red	28 - 70 mbar
<b>SPBK3-12</b>	Black	60 - 130 mbar
<b>SPG3-12</b>	Green	120 - 300 mbar
<b>SPBR3-12</b>	Brown	220 - 480 mbar



1	Seal cap
2	O ring
3	Spring compressor
4	Washer
6	Screws
7	Vent cap
8	Upper cover
9	Plastic Washer
10	Safety diaphragm
11	Calibrated nozzle
12	Washer
13	Disc
14	Compensation diaphragm

15	Shaft
16	Upper bush
17	Disc
18	Working diaphragm
19	Lower bush
20	Body
21	Sensing tube
22	Seal washer
23	Plastic ring
24	Gasket
25	Cover
26	Nut
27	Filter cartridge
28	Screw cover



Dimension	2"
WEIGHT (kgs)	5,8

## GAS GOVERNOR DN65, DN80, DN100 - Pmax 5 bar



Code	Description	Dimension Pmax
<b>RGD65-5B</b>	Gas Governor	DN65 5 bar
<b>RGD80-5B</b>	Gas Governor	DN80 5 bar
<b>RGD100-5B</b>	Gas Governor	DN100 5 bar
<b>RGD65-FT-5B</b>	Gas Governor with filter	DN65 5 bar
<b>RGD80-FT-5B</b>	Gas Governor with filter	DN80 5 bar
<b>RGD100-FT-5B</b>	Gas Governor with filter	DN100 5 bar
<b>RGD65-5B-TPIO</b>	Gas Governor with test point in/out	DN65 5 bar
<b>RGD80-5B-TPIO</b>	Gas Governor with test point in/out	DN80 5 bar
<b>RGD100-5B-TPIO</b>	Gas Governor with test point in/out	DN100 5 bar
<b>RGD65-FT-5B-TPIO</b>	Gas Governor with filter and test point in/out	DN65 5 bar
<b>RGD80-FT-5B-TPIO</b>	Gas Governor with filter and test point in/out	DN80 5 bar
<b>RGD100-FT-5B-TPIO</b>	Gas Governor with filter and test point in/out	DN100 5 bar

### TECHNICAL FEATURES

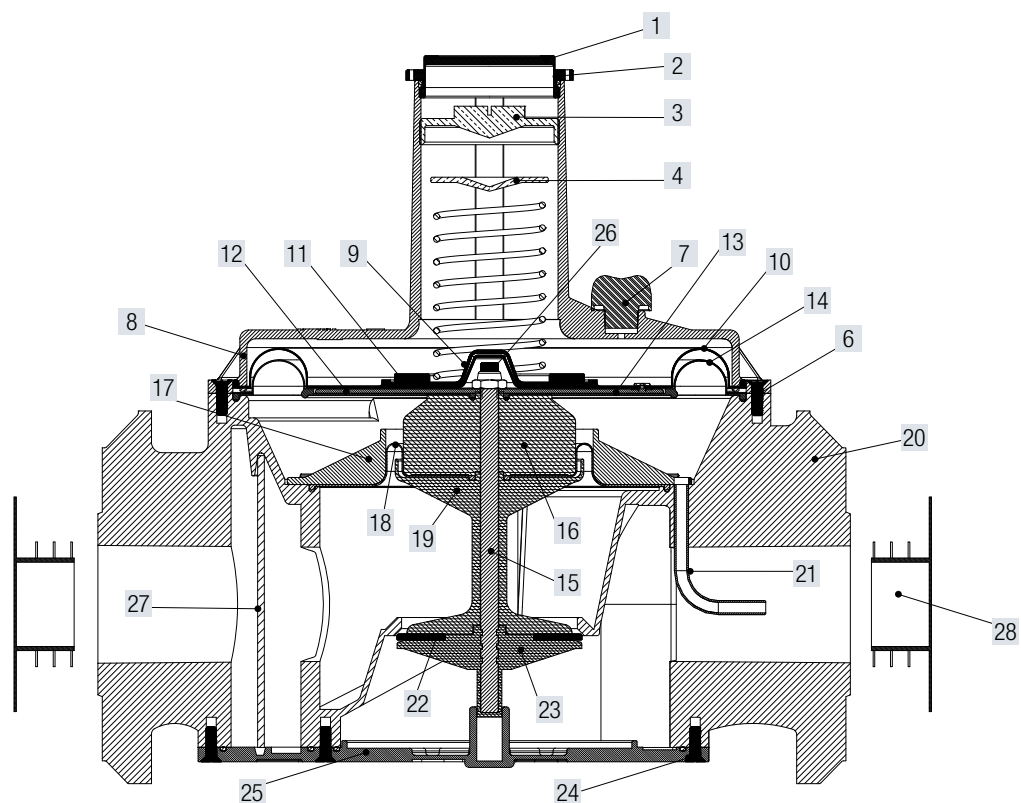
<b>Pmax</b>	inlet max – 5 bar
<b>Setting outlet</b>	10 – 300 mbar – Standard spring supplied 10 – 27 mbar – Other spring on request
<b>Filtering</b>	≤ 50µm – Viledon cartridge
<b>Inlet - Outlet Connection</b>	Flanged connection DN65 DN80 - DN100 - PN16
<b>Test point</b>	Inlet / outlet on request – Test point 1/8" NPT
<b>Working Temperature</b>	- 20 °C – + 60 °C
<b>Use</b>	Not aggressive gases of three families – Natural Gas – LPG – Town Gas
<b>Approval</b>	UNI EN 88-2:2008 / PED / EAC

### Materials:

<b>Complete Body</b>	Die – Cast Aluminium Gd – AlSi12Cu - EN AB 46100
<b>Diaphragms</b>	NBR 60Sh – DvGW EN 549 - reinforced diaphragm
<b>Plastic components</b>	White POM / Pa 66 + 25% Gf

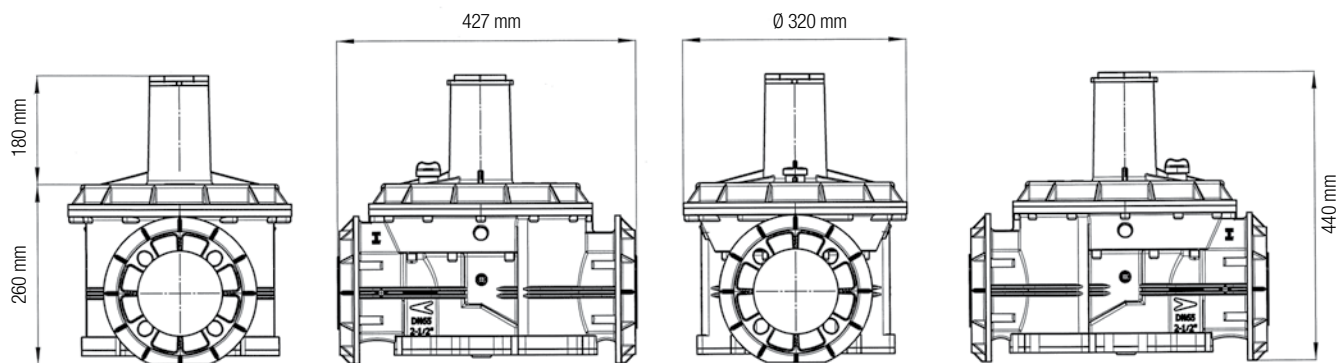
### Spring Range:

Color	Range mbar
<b>SPY4-12</b> Yellow	6 - 22 mbar
<b>SPN4-12</b> Neutral	10 - 27 mbar
<b>SPR4-12</b> Red	28 - 70 mbar
<b>SPBK4-12</b> Black	60 - 130 mbar



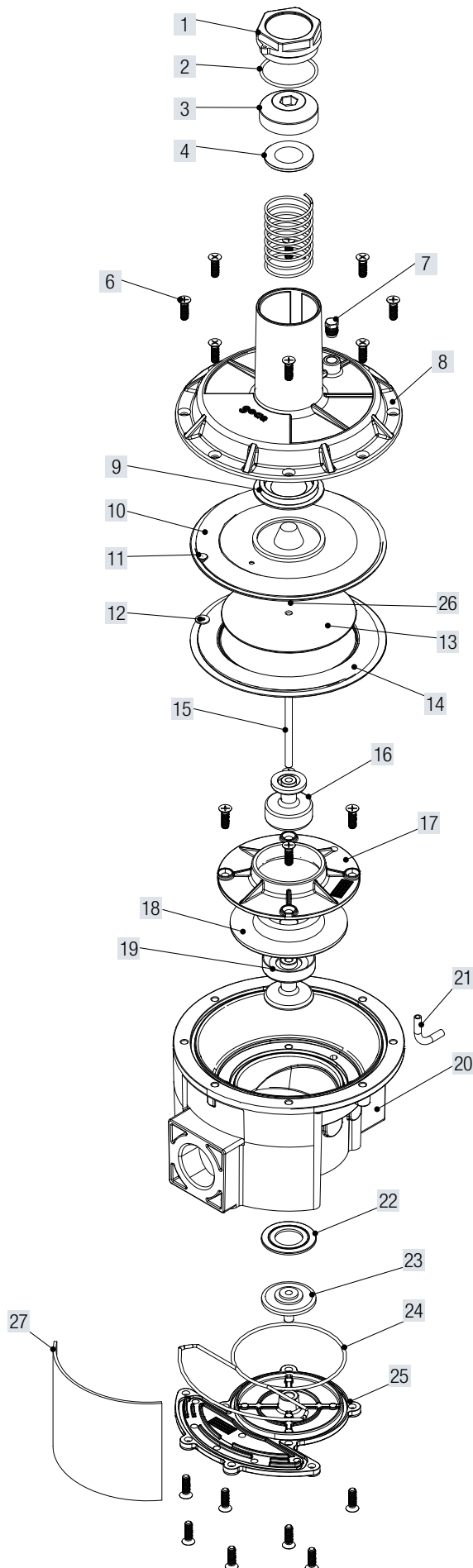
1	Seal cap
2	O-Ring
3	Spring compressor
4	Washer
6	Screws
7	Vent cap
8	Upper cover
9	Plastic Washer
10	Safety diaphragm
11	Calibrated nozzle
12	Washer
13	Disc
14	Compensation diaphragm

15	Shaft
16	Upper bush
17	Disc
18	Working diaphragm
19	Lower bush
20	Body
21	Sensing tube
22	Seal washer
23	Plastic ring
24	Gasket
25	Cover
26	Nut
27	Filter cartridge
28	Screw cover



Dimension	DN65	DN80	DN100
WEIGHT (kgs)	16	15,3	14,6

ASSEMBLY OVERVIEW



1	Seal cap
2	O ring
3	Spring compressor
4	Washer
6	Screws
7	Vent cap
8	Upper cover
9	Plastic Washer
10	Safety diaphragm
11	Calibrated nozzle
12	Washer
13	Disc
14	Compensation diaphragm
15	Shaft
16	Upper bush
17	Disc
18	Working diaphragm
19	Lower bush
20	Body
21	Sensing tube
22	Seal washer
23	Plastic ring
24	Gasket
25	Cover
26	Nut
27	Filter cartridge

## SPRINGS RANGE



### White spring – Range 5 – 14 mbar

#### Gas governor pmax 500 mbar

<b>SPW1-5</b>	RG015 - RG020 - RG025
<b>SPW2-5</b>	RG032 - RG040
<b>SPW3-5</b>	RG050
<b>SPW4-5</b>	RGD65 - RGD80 - RGD100

#### Gas governor 1 bar – 2 bar

<b>SPW1 – 12</b>	RG015 - 1B/2B – RG020 - 1B/2B – RG025 - 1B/2B
<b>SPW2 – 12</b>	RG032 - 1B/2B – RG040 - 1B/2B
<b>SPW3 – 12</b>	RG050 - 1B/2B
<b>SPW4 – 12</b>	RGD65 - 1B/2B – RGD80 - 1B/2B – RGD100 - 1B/2B

### Yellow spring – Range 6 – 22 mbar

#### Gas governor pmax 500 mbar

<b>SPY1-5</b>	RG015 - RG020 - RG025
<b>SPY2-5</b>	RG032 - RG040
<b>SPY3-5</b>	RG050
<b>SPY4-5</b>	RGD65 - RGD80 - RGD100

#### Gas governor 1 bar – 2 bar

<b>SPY1 – 12</b>	RG015 - 1B/2B – RG020 - 1B/2B – RG025 - 1B/2B
<b>SPY2 – 12</b>	RG032 - 1B/2B – RG040 - 1B/2B
<b>SPY3 – 12</b>	RG050 - 1B/2B
<b>SPY4 – 12</b>	RGD65 - 1B/2B – RGD80 - 1B/2B – RGD100 - 1B/2B

### Neutral spring – Range 10 – 27 mbar (Standard spring)

#### Gas governor pmax 500 mbar

<b>SPN1-5</b>	RG015 - RG020 - RG025
<b>SPN2-5</b>	RG032 - RG040
<b>SPN3-5</b>	RG050
<b>SPN4-5</b>	RGD65 - RGD80 - RGD100

#### Gas governor 1 bar – 2 bar

<b>SPN1 – 12</b>	RG015 - 1B/2B – RG020 - 1B/2B – RG025 - 1B/2B
<b>SPN2 – 12</b>	RG032 - 1B/2B – RG040 - 1B/2B
<b>SPN3 – 12</b>	RG050 - 1B/2B
<b>SPN4 – 12</b>	RGD65 - 1B/2B – RGD80 - 1B/2B – RGD100 - 1B/2B



### Red spring – Range 28 – 70 mbar

#### Gas governor pmax 500 mbar

<b>SPR1-5</b>	RG015 - RG020 - RG025
<b>SPR2-5</b>	RG032 - RG040
<b>SPR3-5</b>	RG050
<b>SPR4-5</b>	RGD65 - RGD80 - RGD100

#### Gas governor 1 bar – 2 bar

<b>SPR1 – 12</b>	RG015 - 1B/2B – RG020 - 1B/2B – RG025 - 1B/2B
<b>SPR2 – 12</b>	RG032 - 1B/2B – RG040 - 1B/2B
<b>SPR3 – 12</b>	RG050 - 1B/2B
<b>SPR4 – 12</b>	RGD65 - 1B/2B – RGD80 - 1B/2B – RGD100 - 1B/2B

### Black spring – Range 60 – 130 mbar

#### Gas governor pmax 500 mbar

<b>SPBK1-5</b>	RG015 - RG020 - RG025
<b>SPBK2-5</b>	RG032 - RG040
<b>SPBK3-5</b>	RG050
<b>SPBK4-5</b>	RGD65 - RGD80 - RGD100

#### Gas governor 1 bar – 2 bar

<b>SPBK2 – 12</b>	RG032 - 1B/2B – RG040 - 1B/2B
<b>SPBK3 – 12</b>	RG050 - 1B/2B
<b>SPBK4 – 12</b>	RGD65 - 1B/2B – RGD80 - 1B/2B – RGD100 - 1B/2B

### Blue spring – Range 120 – 300 mbar

#### Gas governor pmax 500 mbar

<b>SPB1-5</b>	RG015 - RG020 - RG025
<b>SPB2-5</b>	RG032 - RG040
<b>SPB3-5</b>	RG050
<b>SPB4-5</b>	RGD65 - RGD80 - RGD100

Others range on request

**GAS GOVERNORS - Standard version**



**Gas Governor - Pmax 500 mbar**

Code	Description	Dimension	Pmax
<b>RG015</b>	Gas Governor	½"	500 mbar
<b>RG020</b>	Gas Governor	¾"	500 mbar
<b>RG025</b>	Gas Governor	1"	500 mbar
<b>RGD25</b>	Gas Governor	DN25	500 mbar
<b>RG015-FT</b>	Gas Governor with filter	½"	500 mbar
<b>RG020-FT</b>	Gas Governor with filter	¾"	500 mbar
<b>RG025-FT</b>	Gas Governor with filter	1"	500 mbar
<b>RGD25-FT</b>	Gas Governor with filter	DN25	500 mbar

Code	Description	Dimension	Pmax
<b>RG015-HC</b>	Gas Governor	½"	500 mbar
<b>RG020-HC</b>	Gas Governor	¾"	500 mbar
<b>RG025-HC</b>	Gas Governor	1"	500 mbar
<b>RGD25-HC</b>	Gas Governor	DN25	500 mbar
<b>RG015-HC-FT</b>	Gas Governor with filter	½"	500 mbar
<b>RG020-HC-FT</b>	Gas Governor with filter	¾"	500 mbar
<b>RG025-HC-FT</b>	Gas Governor with filter	1"	500 mbar
<b>RGD25-HC-FT</b>	Gas Governor with filter	DN25	500 mbar

Code	Description	Dimension	Pmax
<b>RG032</b>	Gas Governor	1 ¼"	500 mbar
<b>RG040</b>	Gas Governor	1 ½"	500 mbar
<b>RGD32</b>	Gas Governor	DN32	500 mbar
<b>RGD40</b>	Gas Governor	DN40	500 mbar
<b>RG032-FT</b>	Gas Governor with filter	1 ¼"	500 mbar
<b>RG040-FT</b>	Gas Governor with filter	1 ½"	500 mbar
<b>RGD32-FT</b>	Gas Governor with filter	DN32	500 mbar
<b>RGD40-FT</b>	Gas Governor with filter	DN40	500 mbar

Code	Description	Dimension	Pmax
<b>RG050</b>	Gas Governor	2"	500 mbar
<b>RGD50</b>	Gas Governor	DN50	500 mbar
<b>RG050-FT</b>	Gas Governor with filter	2"	500 mbar
<b>RGD50-FT</b>	Gas Governor with filter	DN50	500 mbar

Code	Description	Dimension	Pmax
<b>RGD65</b>	Gas Governor	DN65	500 mbar
<b>RGD80</b>	Gas Governor	DN80	500 mbar
<b>RGD100</b>	Gas Governor	DN100	500 mbar
<b>RGD65-FT</b>	Gas Governor with filter	DN65	500 mbar
<b>RGD80-FT</b>	Gas Governor with filter	DN80	500 mbar
<b>RGD100-FT</b>	Gas Governor with filter	DN100	500 mbar



### Gas Governor - Pmax 1 bar

Code	Description	Dimension	Pmax
RG015-1B	Gas Governor	½"	1 bar
RG020-1B	Gas Governor	¾"	1 bar
RG025-1B	Gas Governor	1"	1 bar
RGD25-1B	Gas Governor	DN25	1 bar

RG015-FT-1B	Gas Governor with filter	½"	1 bar
RG020-FT-1B	Gas Governor with filter	¾"	1 bar
RG025-FT-1B	Gas Governor with filter	1"	1 bar
RGD25-FT-1B	Gas Governor with filter	DN25	1 bar

Code	Description	Dimension	Pmax
RG015-HC-1B	Gas Governor	½"	1 bar
RG020-HC-1B	Gas Governor	¾"	1 bar
RG025-HC-1B	Gas Governor	1"	1 bar
RGD25-HC-1B	Gas Governor	DN25	1 bar

RG015-HC-FT-1B	Gas Governor with filter	½"	1 bar
RG020-HC-FT-1B	Gas Governor with filter	¾"	1 bar
RG025-HC-FT-1B	Gas Governor with filter	1"	1 bar
RGD25-HC-FT-1B	Gas Governor with filter	DN25	1 bar

Code	Description	Dimension	Pmax
RG032-1B	Gas Governor	1 ¼"	1 bar
RG040-1B	Gas Governor	1 ½"	1 bar
RGD32-1B	Gas Governor	DN32	1 bar
RGD40-1B	Gas Governor	DN40	1 bar

RG032-FT-1B	Gas Governor with filter	1 ¼"	1 bar
RG040-FT-1B	Gas Governor with filter	1 ½"	1 bar
RGD32-FT-1B	Gas Governor with filter	DN32	1 bar
RGD40-FT-1B	Gas Governor with filter	DN40	1 bar

Code	Description	Dimension	Pmax
RG050-1B	Gas Governor	2"	1 bar
RGD50-1B	Gas Governor	DN50	1 bar

RG050-FT-1B	Gas Governor with filter	2"	1 bar
RGD50-FT-1B	Gas Governor with filter	DN50	1 bar

Code	Description	Dimension	Pmax
RGD65-1B	Gas Governor	DN65	1 bar
RGD80-1B	Gas Governor	DN80	1 bar
RGD100-1B	Gas Governor	DN100	1 bar

RGD65-FT-1B	Gas Governor with filter	DN65	1 bar
RGD80-FT-1B	Gas Governor with filter	DN80	1 bar
RGD100-FT-1B	Gas Governor with filter	DN100	1 bar

### Gas Governor - Pmax 2 bar

Code	Description	Dimension	Pmax
RG015-2B	Gas Governor	½"	2 bar
RG020-2B	Gas Governor	¾"	2 bar
RG025-2B	Gas Governor	1"	2 bar
RGD25-2B	Gas Governor	DN25	2 bar

RG015-FT-2B	Gas Governor with filter	½"	2 bar
RG020-FT-2B	Gas Governor with filter	¾"	2 bar
RG025-FT-2B	Gas Governor with filter	1"	2 bar
RGD25-FT-2B	Gas Governor with filter	DN25	2 bar

Code	Description	Dimension	Pmax
RG015-HC-2B	Gas Governor	½"	2 bar
RG020-HC-2B	Gas Governor	¾"	2 bar
RG025-HC-2B	Gas Governor	1"	2 bar
RGD25-HC-2B	Gas Governor	DN25	2 bar

RG015-HC-FT-2B	Gas Governor with filter	½"	2 bar
RG020-HC-FT-2B	Gas Governor with filter	¾"	2 bar
RG025-HC-FT-2B	Gas Governor with filter	1"	2 bar
RGD25-HC-FT-2B	Gas Governor with filter	DN25	2 bar

Code	Description	Dimension	Pmax
RG032-2B	Gas Governor	1 ¼"	2 bar
RG040-2B	Gas Governor	1 ½"	2 bar
RGD32-2B	Gas Governor	DN32	2 bar
RGD40-2B	Gas Governor	DN40	2 bar

RG032-FT-2B	Gas Governor with filter	1 ¼"	2 bar
RG040-FT-2B	Gas Governor with filter	1 ½"	2 bar
RGD32-FT-2B	Gas Governor with filter	DN32	2 bar
RGD40-FT-2B	Gas Governor with filter	DN40	2 bar

Code	Description	Dimension	Pmax
RG050-2B	Gas Governor	2"	2 bar
RGD50-2B	Gas Governor	DN50	2 bar

RG050-FT-2B	Gas Governor with filter	2"	2 bar
RGD50-FT-2B	Gas Governor with filter	DN50	2 bar

Code	Description	Dimension	Pmax
RGD65-2B	Gas Governor	DN65	2 bar
RGD80-2B	Gas Governor	DN80	2 bar
RGD100-2B	Gas Governor	DN100	2 bar

RGD65-FT-2B	Gas Governor with filter	DN65	2 bar
RGD80-FT-2B	Gas Governor with filter	DN80	2 bar
RGD100-FT-2B	Gas Governor with filter	DN100	2 bar

## GAS GOVERNORS - Standard version

### Gas Governor - Pmax 5 bar

Code	Description	Dimension	Pmax
<b>RG015-5B</b>	Gas Governor	½"	5 bar
<b>RG020-5B</b>	Gas Governor	¾"	5 bar
<b>RG025-5B</b>	Gas Governor	1"	5 bar
<b>RGD25-5B</b>	Gas Governor	DN25	5 bar
<b>RG015-FT-5B</b>	Gas Governor with filter	½"	5 bar
<b>RG020-FT-5B</b>	Gas Governor with filter	¾"	5 bar
<b>RG025-FT-5B</b>	Gas Governor with filter	1"	5 bar
<b>RGD25-FT-5B</b>	Gas Governor with filter	DN25	5 bar

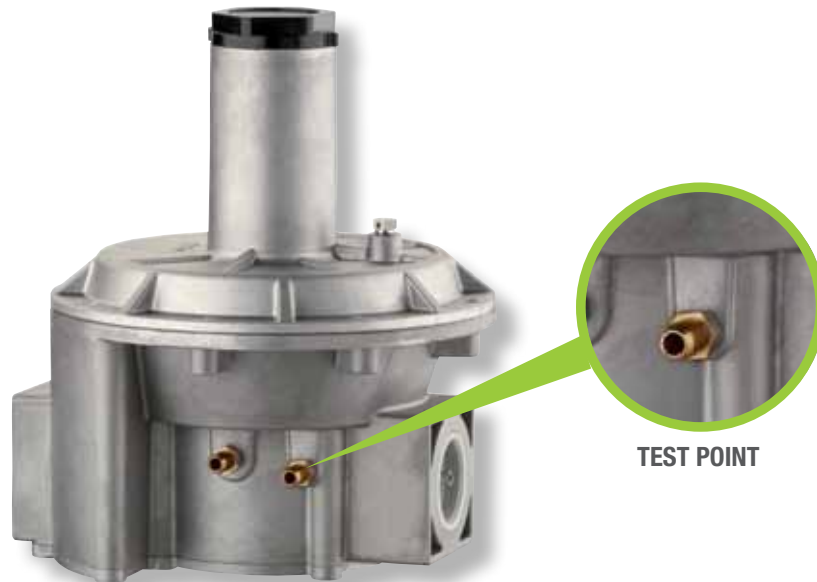
Code	Description	Dimension	Pmax
<b>RG015-HC-5B</b>	Gas Governor	½"	5 bar
<b>RG020-HC-5B</b>	Gas Governor	¾"	5 bar
<b>RG025-HC-5B</b>	Gas Governor	1"	5 bar
<b>RGD25-HC-5B</b>	Gas Governor	DN25	5 bar
<b>RG015-HC-FT-5B</b>	Gas Governor with filter	½"	5 bar
<b>RG020-HC-FT-5B</b>	Gas Governor with filter	¾"	5 bar
<b>RG025-HC-FT-5B</b>	Gas Governor with filter	1"	5 bar
<b>RGD25-HC-FT-5B</b>	Gas Governor with filter	DN25	5 bar

Code	Description	Dimension	Pmax
<b>RG032-5B</b>	Gas Governor	1 ¼"	5 bar
<b>RG040-5B</b>	Gas Governor	1 ½"	5 bar
<b>RGD32-5B</b>	Gas Governor	DN32	5 bar
<b>RGD40-5B</b>	Gas Governor	DN40	5 bar
<b>RG032-FT-5B</b>	Gas Governor with filter	1 ¼"	5 bar
<b>RG040-FT-5B</b>	Gas Governor with filter	1 ½"	5 bar
<b>RGD32-FT-5B</b>	Gas Governor with filter	DN32	5 bar
<b>RGD40-FT-5B</b>	Gas Governor with filter	DN40	5 bar

Code	Description	Dimension	Pmax
<b>RG050-5B</b>	Gas Governor	2"	5 bar
<b>RGD50-5B</b>	Gas Governor	DN50	5 bar
<b>RG050-FT-5B</b>	Gas Governor with filter	2"	5 bar
<b>RGD50-FT-5B</b>	Gas Governor with filter	DN50	5 bar

Code	Description	Dimension	Pmax
<b>RGD65-5B</b>	Gas Governor	DN65	5 bar
<b>RGD80-5B</b>	Gas Governor	DN80	5 bar
<b>RGD100-5B</b>	Gas Governor	DN100	5 bar
<b>RGD65-FT-5B</b>	Gas Governor with filter	DN65	5 bar
<b>RGD80-FT-5B</b>	Gas Governor with filter	DN80	5 bar
<b>RGD100-FT-5B</b>	Gas Governor with filter	DN100	5 bar

## GAS GOVERNORS - TPIO code - Test point input / output



### Gas Governor - Pmax 500 mbar

Code	Description	Dimension	Pmax
<b>RG015-TPIO</b>	Gas Governor with test point in/out	½"	500 mbar
<b>RG020-TPIO</b>	Gas Governor with test point in/out	¾"	500 mbar
<b>RG025-TPIO</b>	Gas Governor with test point in/out	1"	500 mbar
<b>RGD25-TPIO</b>	Gas Governor with test point in/out	DN25	500 mbar
<b>RG015-FT-TPIO</b>	Gas Governor with filter and test point in /out	½"	500 mbar
<b>RG020-FT-TPIO</b>	Gas Governor with filter and test point in /out	¾"	500 mbar
<b>RG025-FT-TPIO</b>	Gas Governor with filter and test point in /out	1"	500 mbar
<b>RGD25-FT-TPIO</b>	Gas Governor with filter and test point in /out	DN25	500 mbar

Code	Description	Dimension	Pmax
<b>RG015-HC-TPIO</b>	Gas Governor with test point in/out	½"	500 mbar
<b>RG020-HC-TPIO</b>	Gas Governor with test point in/out	¾"	500 mbar
<b>RG025-HC-TPIO</b>	Gas Governor with test point in/out	1"	500 mbar
<b>RGD25-HC-TPIO</b>	Gas Governor with test point in/out	DN25	500 mbar
<b>RG015-HC-FT-TPIO</b>	Gas Governor with filter and test point in/out	½"	500 mbar
<b>RG020-HC-FT-TPIO</b>	Gas Governor with filter and test point in/out	¾"	500 mbar
<b>RG025-HC-FT-TPIO</b>	Gas Governor with filter and test point in/out	1"	500 mbar
<b>RGD25-HC-FT-TPIO</b>	Gas Governor with filter and test point in/out	DN25	500 mbar

Code	Description	Dimension	Pmax
<b>RG032-TPIO</b>	Gas Governor with test point in/out	1¼"	500 mbar
<b>RG040-TPIO</b>	Gas Governor with test point in/out	1½"	500 mbar
<b>RGD32-TPIO</b>	Gas Governor with test point in/out	DN32	500 mbar
<b>RGD40-TPIO</b>	Gas Governor with test point in/out	DN40	500 mbar
<b>RG032-FT-TPIO</b>	Gas Governor with filter and test point in/out	1¼"	500 mbar
<b>RG040-FT-TPIO</b>	Gas Governor with filter and test point in/out	1½"	500 mbar
<b>RGD32-FT-TPIO</b>	Gas Governor with filter and test point in/out	DN32	500 mbar
<b>RGD40-FT-TPIO</b>	Gas Governor with filter and test point in/out	DN32	500 mbar

Code	Description	Dimension	Pmax
<b>RG050-TPIO</b>	Gas Governor with test point in/out	2"	500 mbar
<b>RGD50-TPIO</b>	Gas Governor with test point in/out	DN50	500 mbar
<b>RG050-FT-TPIO</b>	Gas Governor with filter and test point in/out	2"	500 mbar
<b>RGD50-FT-TPIO</b>	Gas Governor with filter and test point in/out	DN50	500 mbar

Code	Description	Dimension	Pmax
<b>RGD65-TPIO</b>	Gas Governor with test point in/out	DN65	500 mbar
<b>RGD80-TPIO</b>	Gas Governor with test point in/out	DN80	500 mbar
<b>RGD100-TPIO</b>	Gas Governor with test point in/out	DN100	500 mbar
<b>RGD65-FT-TPIO</b>	Gas Governor with filter and test point in/out	DN65	500 mbar
<b>RGD80-FT-TPIO</b>	Gas Governor with filter and test point in/out	DN80	500 mbar
<b>RGD100-FT-TPIO</b>	Gas Governor with filter and test point in/out	DN100	500 mbar

## GAS GOVERNORS - TPIO code - Test point input / output

### Gas Governor - Pmax 1 bar

Code	Description	Dimension	Pmax
RG015-1B-TPIO	Gas Governor with test point in/out	½"	1 bar
RG020-1B-TPIO	Gas Governor with test point in/out	¾"	1 bar
RG025-1B-TPIO	Gas Governor with test point in/out	1"	1 bar
RGD25-1B-TPIO	Gas Governor with test point in/out	DN25	1 bar
RG015-FT-1B-TPIO	Gas Governor with filter and test point in/out	½"	1 bar
RG020-FT-1B-TPIO	Gas Governor with filter and test point in/out	¾"	1 bar
RG025-FT-1B-TPIO	Gas Governor with filter and test point in/out	1"	1 bar
RGD25-FT-1B-TPIO	Gas Governor with filter and test point in/out	DN25	1 bar

Code	Description	Dimension	Pmax
RG015-HC-1B-TPIO	Gas Governor with test point in/out	½"	1 bar
RG020-HC-1B-TPIO	Gas Governor with test point in/out	¾"	1 bar
RG025-HC-1B-TPIO	Gas Governor with test point in/out	1"	1 bar
RGD25-HC-1B-TPIO	Gas Governor with test point in/out	DN25	1 bar

Code	Description	Dimension	Pmax
RG015-HC-FT-1B-TPIO	Gas Governor with filter and test point in/out	½"	1 bar
RG020-HC-FT-1B-TPIO	Gas Governor with filter and test point in/out	¾"	1 bar
RG025-HC-FT-1B-TPIO	Gas Governor with filter and test point in/out	1"	1 bar
RGD25-HC-FT-1B-TPIO	Gas Governor with filter and test point in/out	DN25	1 bar

Code	Description	Dimension	Pmax
RG032-1B-TPIO	Gas Governor with test point in/out	1 ¼"	1 bar
RG040-1B-TPIO	Gas Governor with test point in/out	1 ½"	1 bar
RGD32-1B-TPIO	Gas Governor with test point in/out	DN32	1 bar
RGD40-1B-TPIO	Gas Governor with test point in/out	DN40	1 bar

Code	Description	Dimension	Pmax
RG032-FT-1B-TPIO	Gas Governor with filter and test point in/out	1 ¼"	1 bar
RG040-FT-1B-TPIO	Gas Governor with filter and test point in/out	1 ½"	1 bar
RGD32-FT-1B-TPIO	Gas Governor with filter and test point in/out	DN32	1 bar
RGD40-FT-1B-TPIO	Gas Governor with filter and test point in/out	DN40	1 bar

Code	Description	Dimension	Pmax
RG050-1B-TPIO	Gas Governor with test point in/out	2"	1 bar
RGD50-1B-TPIO	Gas Governor with test point in/out	DN50	1 bar
RG050-FT-1B-TPIO	Gas Governor with filter and test point in/out	2"	1 bar
RGD50-FT-1B-TPIO	Gas Governor with filter and test point in/out	DN50	1 bar

Code	Description	Dimension	Pmax
RGD65-1B-TPIO	Gas Governor with test point in/out	DN65	1 bar
RGD80-1B-TPIO	Gas Governor with test point in/out	DN80	1 bar
RGD100-1B-TPIO	Gas Governor with test point in/out	DN100	1 bar
RGD65-FT-1B-TPIO	Gas Governor with filter and test point in/out	DN65	1 bar
RGD80-FT-1B-TPIO	Gas Governor with filter and test point in/out	DN80	1 bar
RGD100-FT-1B-TPIO	Gas Governor with filter and test point in/out	DN100	1 bar

### Gas Governor - Pmax 2 bar

Code	Description	Dimension	Pmax
RG015-2B-TPIO	Gas Governor with test point in/out	½"	2 bar
RG020-2B-TPIO	Gas Governor with test point in/out	¾"	2 bar
RG025-2B-TPIO	Gas Governor with test point in/out	1"	2 bar
RGD25-2B-TPIO	Gas Governor with test point in/out	DN25	2 bar
RG015-FT-2B-TPIO	Gas Governor with filter and test point in/out	½"	2 bar
RG020-FT-2B-TPIO	Gas Governor with filter and test point in/out	¾"	2 bar
RG025-FT-2B-TPIO	Gas Governor with filter and test point in/out	1"	2 bar
RGD25-FT-2B-TPIO	Gas Governor with filter and test point in/out	DN25	2 bar

Code	Description	Dimension	Pmax
RG015-HC-2B-TPIO	Gas Governor with test point in/out	½"	2 bar
RG020-HC-2B-TPIO	Gas Governor with test point in/out	¾"	2 bar
RG025-HC-2B-TPIO	Gas Governor with test point in/out	1"	2 bar
RG015-HC-FT-2B-TPIO	Gas Governor with filter and test point in/out	½"	2 bar
RG020-HC-FT-2B-TPIO	Gas Governor with filter and test point in/out	¾"	2 bar
RG025-HC-FT-2B-TPIO	Gas Governor with filter and test point in/out	1"	2 bar

Code	Description	Dimension	Pmax
RG032-2B-TPIO	Gas Governor with test point in/out	1 ¼"	2 bar
RG040-2B-TPIO	Gas Governor with test point in/out	1 ½"	2 bar
RGD32-2B-TPIO	Gas Governor with test point in/out	DN32	2 bar
RGD40-2B-TPIO	Gas Governor with test point in/out	DN40	2 bar
RG032-FT-2B-TPIO	Gas Governor with filter test point in/out	1 ¼"	2 bar
RG040-FT-2B-TPIO	Gas Governor with filter test point in/out	1 ½"	2 bar
RGD32-FT-2B-TPIO	Gas Governor with filter test point in/out	DN32	2 bar
RGD40-FT-2B-TPIO	Gas Governor with filter test point in/out	DN40	2 bar

Code	Description	Dimension	Pmax
RG050-2B-TPIO	Gas Governor with test point in/out	2"	2 bar
RGD50-2B-TPIO	Gas Governor with test point in/out	DN50	2 bar
RG050-FT-2B-TPIO	Gas Governor with filter and test point in/out	2"	2 bar
RGD50-FT-2B-TPIO	Gas Governor with filter and test point in/out	DN50	2 bar

Code	Description	Dimension	Pmax
RGD65-2B-TPIO	Gas Governor with test point in/out	DN65	2 bar
RGD80-2B-TPIO	Gas Governor with test point in/out	DN80	2 bar
RGD100-2B-TPIO	Gas Governor with test point in/out	DN100	2 bar
RGD65-FT-2B-TPIO	Gas Governor with filter and test point in/out	DN65	2 bar
RGD80-FT-2B-TPIO	Gas Governor with filter and test point in/out	DN80	2 bar
RGD100-FT-2B-TPIO	Gas Governor with filter and test point in/out	DN100	2 bar

### Gas Governor - Pmax 5 bar

Code	Description	Dimension	Pmax
<b>RG015-5B-TPIO</b>	Gas Governor with test point in/out	½"	5 bar
<b>RG020-5B-TPIO</b>	Gas Governor with test point in/out	¾"	5 bar
<b>RG025-5B-TPIO</b>	Gas Governor with test point in/out	1"	5 bar
<b>RGD25-5B-TPIO</b>	Gas Governor with test point in/out	DN25	5 bar
<b>RG015-FT-5B-TPIO</b>	Gas Governor with filter and test point in/out	½"	5 bar
<b>RG020-FT-5B-TPIO</b>	Gas Governor with filter and test point in/out	¾"	5 bar
<b>RG025-FT-5B-TPIO</b>	Gas Governor with filter and test point in/out	1"	5 bar
<b>RGD25-FT-5B-TPIO</b>	Gas Governor with filter and test point in/out	DN25	5 bar

Code	Description	Dimension	Pmax
<b>RG015-HC-5B-TPIO</b>	Gas Governor with test point in/out	½"	5 bar
<b>RG020-HC-5B-TPIO</b>	Gas Governor with test point in/out	¾"	5 bar
<b>RG025-HC-5B-TPIO</b>	Gas Governor with test point in/out	1"	5 bar
<b>RGD25-HC-5B-TPIO</b>	Gas Governor with test point in/out	DN25	5 bar
<b>RG015-HC-FT-5B-TPIO</b>	Gas Governor with filter and test point in/out	½"	5 bar
<b>RG020-HC-FT-5B-TPIO</b>	Gas Governor with filter and test point in/out	¾"	5 bar
<b>RG025-HC-FT-5B-TPIO</b>	Gas Governor with filter and test point in/out	1"	5 bar
<b>RG025-HC-FT-5B-TPIO</b>	Gas Governor with filter and test point in/out	DN25	5 bar

Code	Description	Dimension	Pmax
<b>RG032-5B-TPIO</b>	Gas Governor with test point in/out	1 ¼"	5 bar
<b>RG040-5B-TPIO</b>	Gas Governor with test point in/out	1 ½"	5 bar
<b>RGD32-5B-TPIO</b>	Gas Governor with test point in/out	DN32	5 bar
<b>RGD40-5B-TPIO</b>	Gas Governor with test point in/out	DN40	5 bar
<b>RG032-FT-5B-TPIO</b>	Gas Governor with filter test point in/out	1 ¼"	5 bar
<b>RG040-FT-5B-TPIO</b>	Gas Governor with filter test point in/out	1 ½"	5 bar
<b>RGD32-FT-5B-TPIO</b>	Gas Governor with filter test point in/out	DN32	5 bar
<b>RGD40-FT-5B-TPIO</b>	Gas Governor with filter test point in/out	DN40	5 bar

Code	Description	Dimension	Pmax
<b>RG050-5B-TPIO</b>	Gas Governor with test point in/out	2"	5 bar
<b>RGD50-5B-TPIO</b>	Gas Governor with test point in/out	DN50	5 bar
<b>RG050-FT-5B-TPIO</b>	Gas Governor with filter and test point in/out	2"	5 bar
<b>RGD50-FT-5B-TPIO</b>	Gas Governor with filter and test point in/out	DN50	5 bar

Code	Description	Dimension	Pmax
<b>RGD65-5B-TPIO</b>	Gas Governor with test point in/out	DN65	5 bar
<b>RGD80-5B-TPIO</b>	Gas Governor with test point in/out	DN80	5 bar
<b>RGD100-5B-TPIO</b>	Gas Governor with test point in/out	DN100	5 bar
<b>RGD65-FT-5B-TPIO</b>	Gas Governor with filter and test point in/out	DN65	5 bar
<b>RGD80-FT-5B-TPIO</b>	Gas Governor with filter and test point in/out	DN80	5 bar
<b>RGD100-FT-5B-TPIO</b>	Gas Governor with filter and test point in/out	DN100	5 bar

## CODE DESCRIPTION

**RG015-FT-1B- TPIO**

1  
 2  
 3  
 4  
 5

<p><b>1</b> GAS GOVERNOR:</p> <p>RG=Threaded connections RGD=Flanged connections</p>	<p><b>2</b> DIMENSIONS:</p> <p>015 = 1/2" 020 = 3/4" 025= 1" 25= DN25 032= 1<sup>1/4</sup>" 32= DN32 040= 1<sup>1/2</sup>" 40= DN40 050= 2" 50= DN50 65 = DN65 80 = DN80 100 = DN100</p>	<p><b>3</b> OPTIONAL: -FT= With Filter</p> <p><b>4</b> BAR: =500mbar -1B=1bar -2B=2bar -5B=5bar</p>
<p><b>5</b> TPIO: -Test point inlet /outlet</p>		

## PACKING DIMENSION

Code	Packaging Dimension (LxWxH) cm	Weight dimension (Kg)	Packaging
RG015 – RG020 – RG025	63x24x18	7,4	10 units
RG015-HC – RG020-HC – RG025HC	66x30x23	10	10 units
RG032 – RG040	22x20x26	3,4	1 unit
RG050	27x28x32	6	1 unit
RGD65 – RGD80 – RGD100	44x34x46	16,2 - 15,5 - 14,8	1 unit

## GENERAL DESCRIPTION

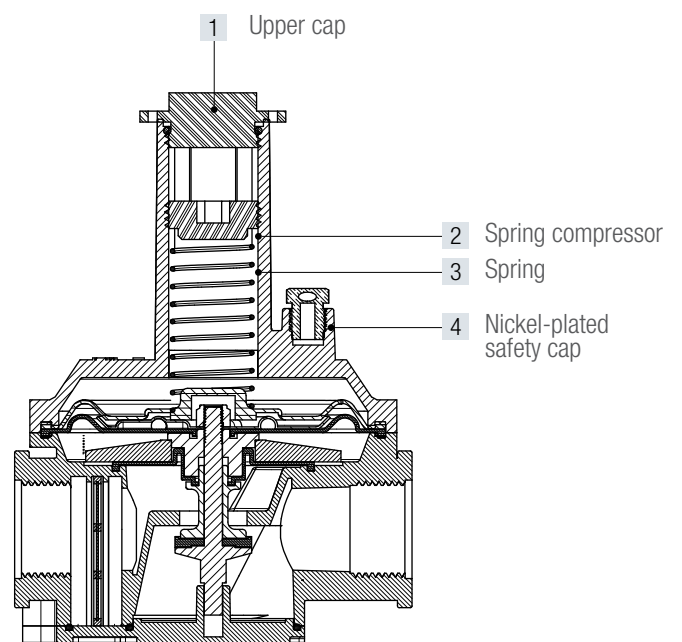
Verify that the installation is performed according to the particular law in force and according to the valid technical rules; Verify that the data indicated on the regulator's type plate, answer to the required terms from the instruments of combustion connected; Verify that regulator is installed according to the indications of this data sheet, and particularly: Verify the presence of an inlet and outlet stop valve; Verify the presence of a specific gas filter with suitable flow rate; Verify the correct assemblage position of governor.

To respect the direction of the flow as pointed out by the arrow on the governor.

For a correct assembly follow the mechanical diagram A. For any exhaust and/or vent pipes, remove the vent cap 1/4" or 1/2" (4) on the cover, using the union provided, connect 1/2" pipe, being careful to locate the outlet in a safe place

## PRESSURE SETTING

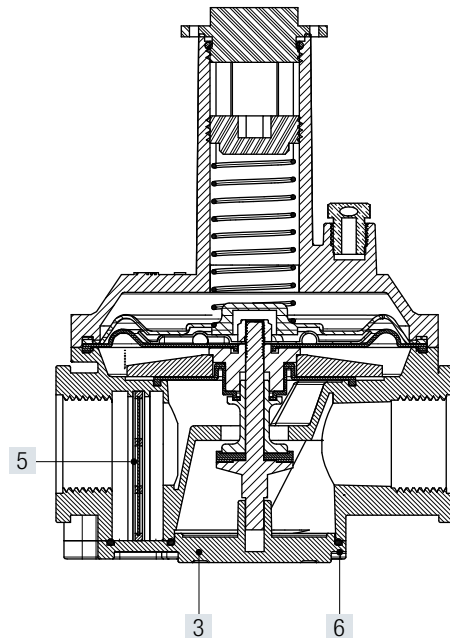
The possible varying of the setting is indicated in the plate. For increasing or decreasing, please unscrew the cap (1), turning clockwise the spring compressor (2) increase the pressure and counterclockwise to decrease it. When the adjustment is finished, secure cap (1) and seal it if necessary.



## MAINTENANCE

Close the inlet and outlet valves and slowly depressurize the governor, ASSURE that there is no pressure inside the governor, then remove the screws on the cover. pos. 6. Remove the cover pos. 3, remove the filter cartridge pos. 5 and replace it with the new one.

Place the new cartridge in its seat, and assure that the new cartridge fits perfectly inside the governor housing guide. CAREFULLY inspect the O-ring seal and replace it if necessary. Reassemble the cover, making sure that the cartridge fits perfectly in the cover seat, and tighten the screws crosswise. Pressurize the governor by SLOWLY open the inlet valve and check the seal around the cover and the screws, using foam or soapy water. After successful test, SLOWLY open the outlet valve.



## INSTALLATION AND POSITIONING

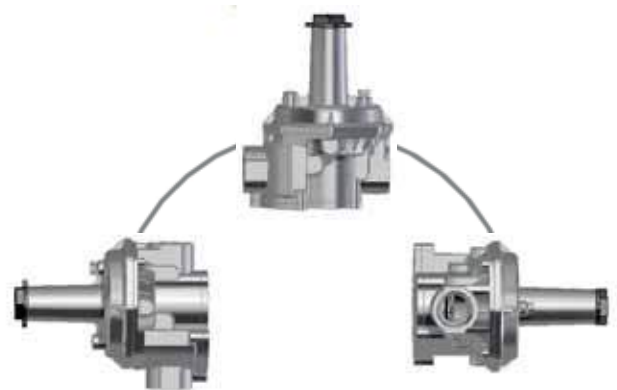
The governor gas regulator can be mounted in a vertical and horizontal position with a maximum angle of 90°.

Do not use the governor as a lever.

Check the equipment condition periodically.

Check the downstream pressure periodically.

Verify that the whole system works perfectly (the smell of gas odour indicates a leak). Perform periodical maintenance to all the regulation equipments.

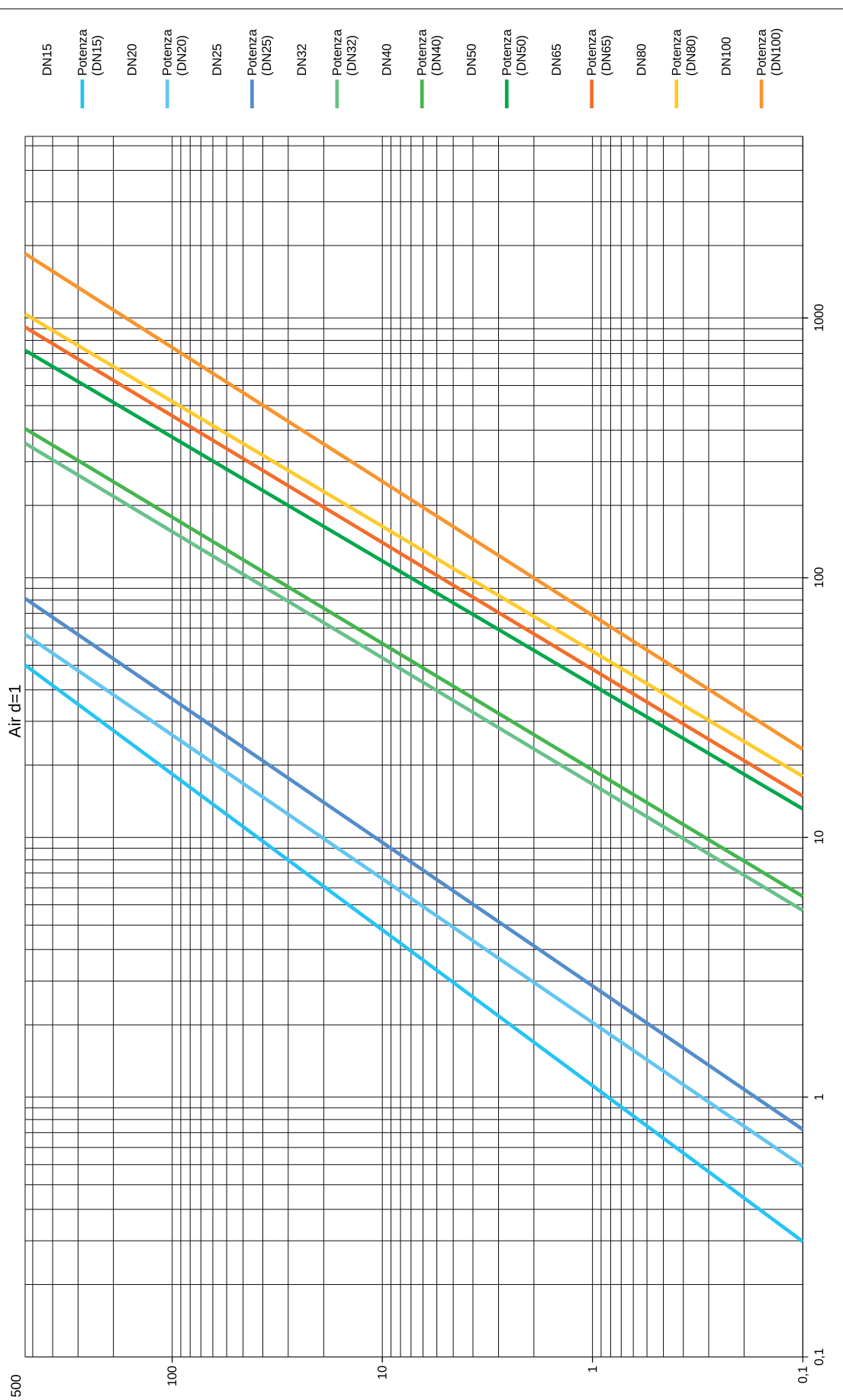


Max permitted agulation: 90°



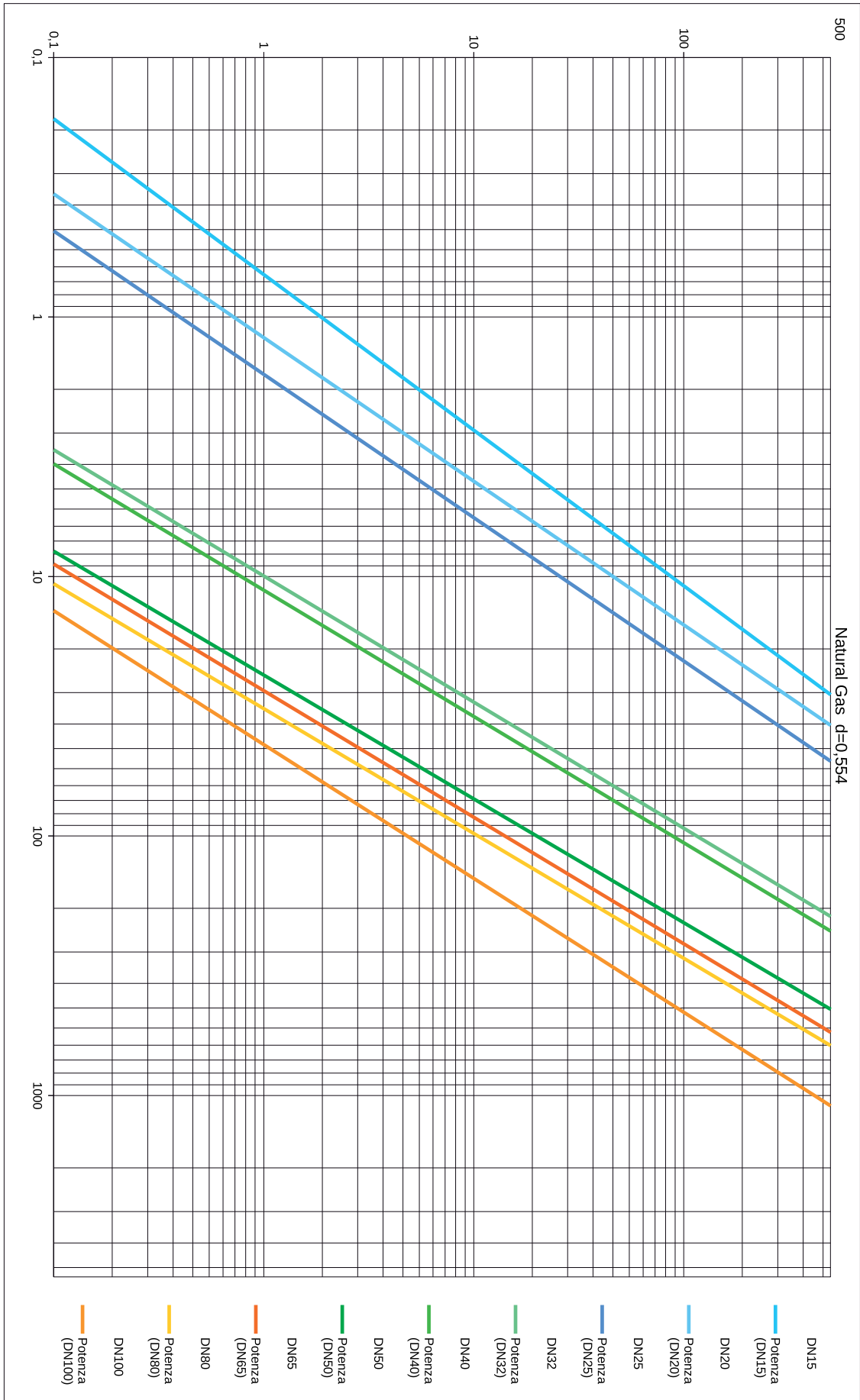
# Gas Governor 500 mbar - Air d=1

Pressure drops (mbar)



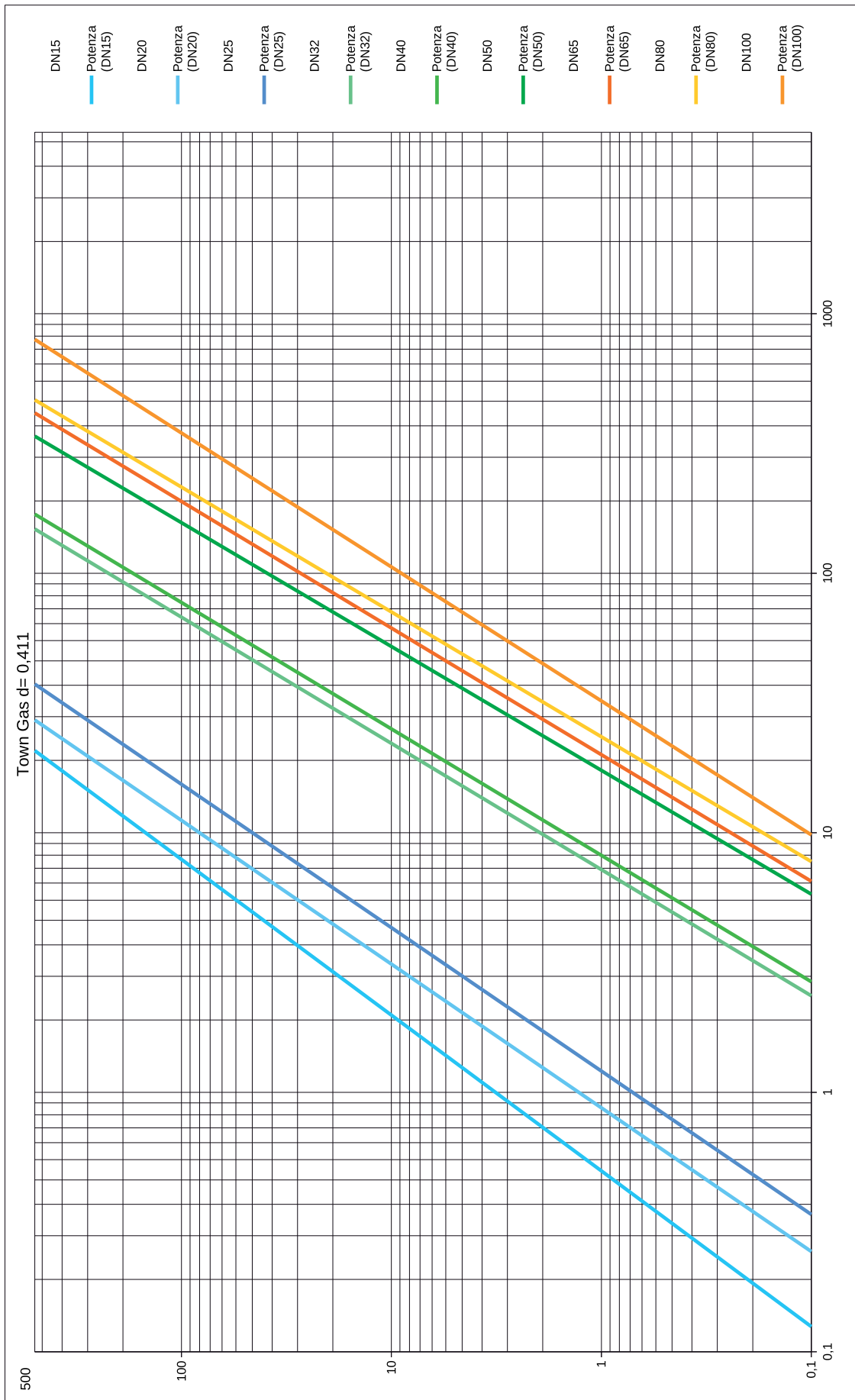
# Gas Governor 500 mbar - Natural Gas d=0,554

Pressure drops (mbar)



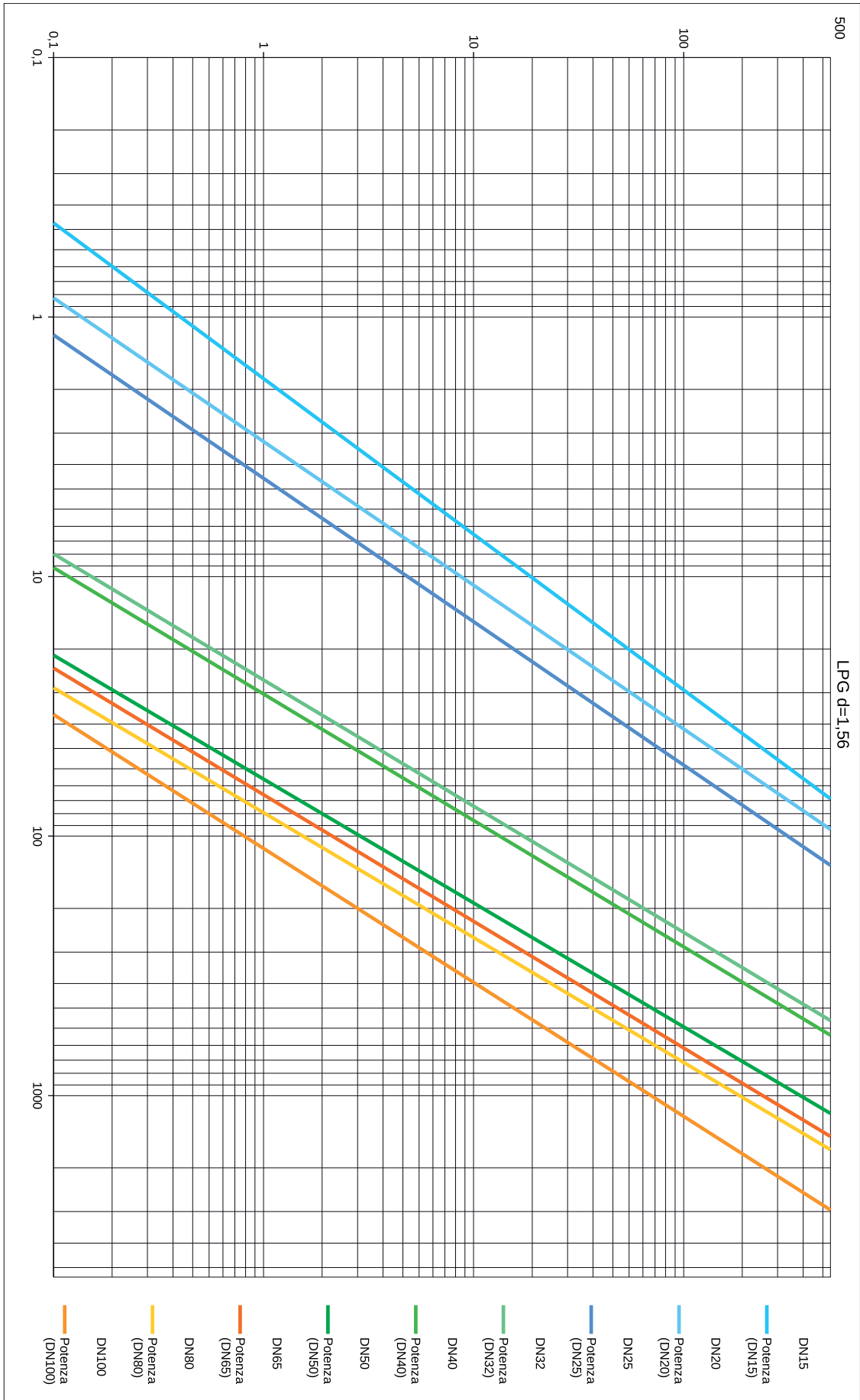
# Gas Governor 500 mbar - Town Gas $d=0,411$

Pressure drops (mbar)



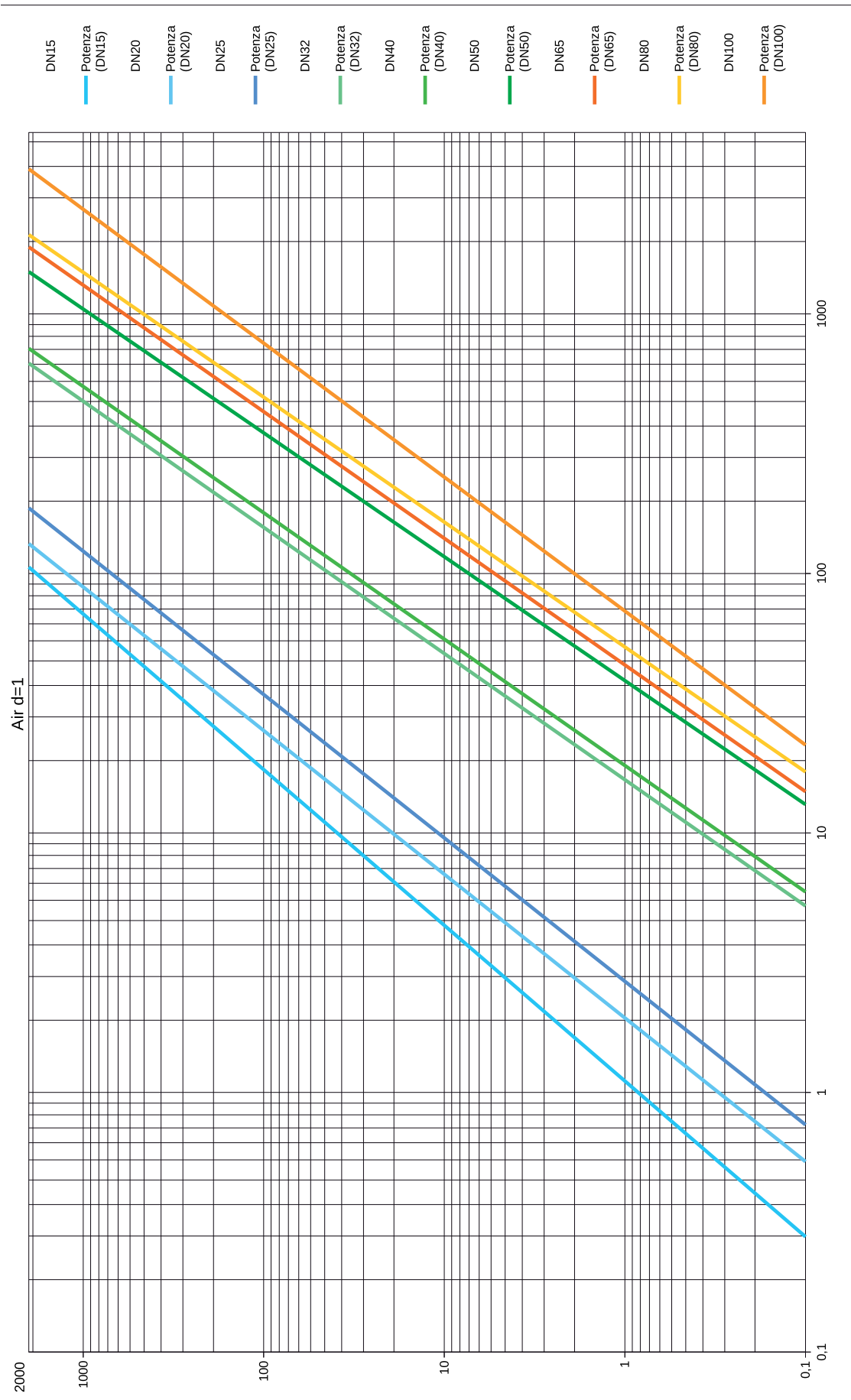
Gas Governor 500 mbar - LPG d=1,56

Pressure drops (mbar)



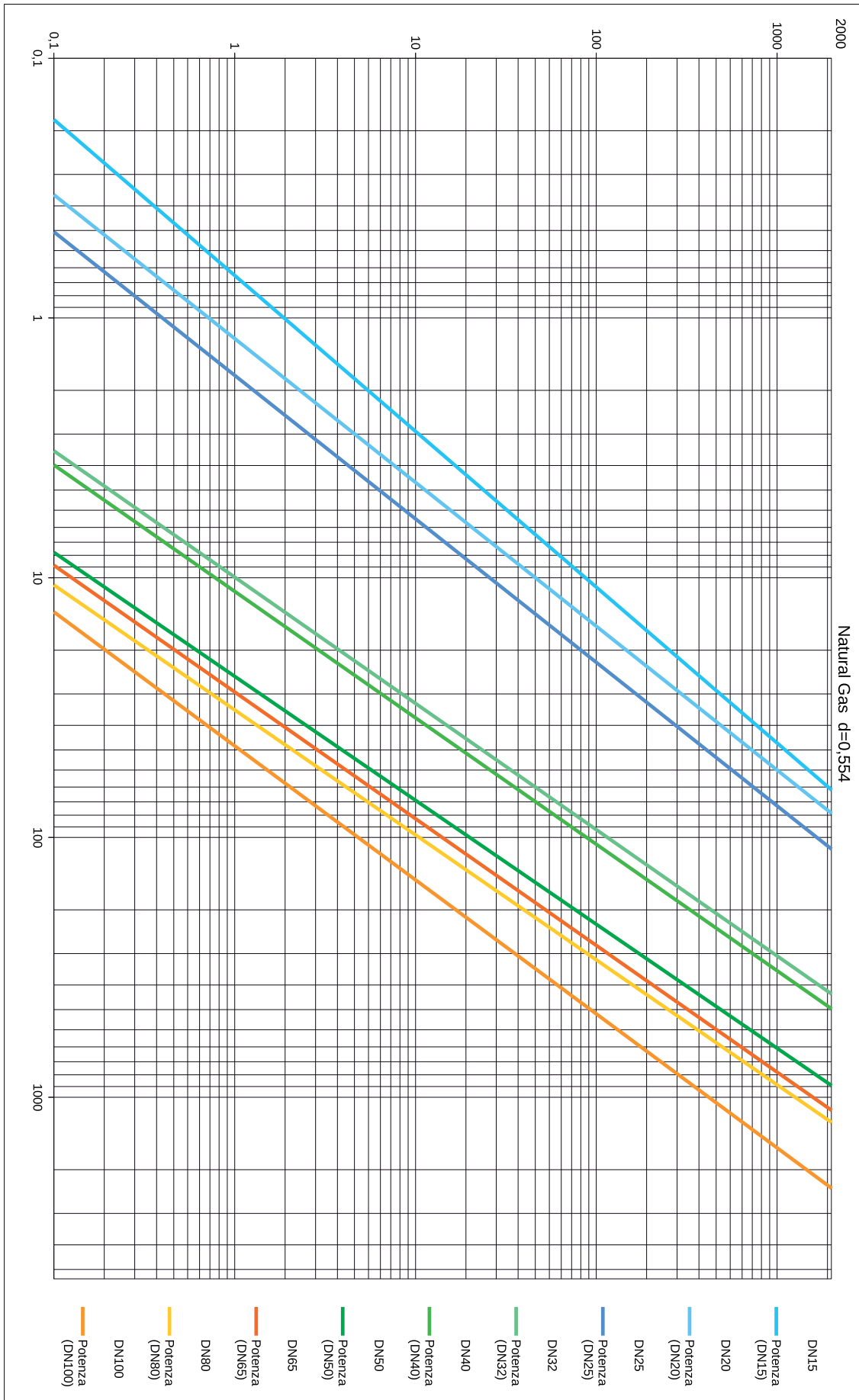
# Gas Governor 1 & 2 bar - Air d=1

Pressure drops (mbar)



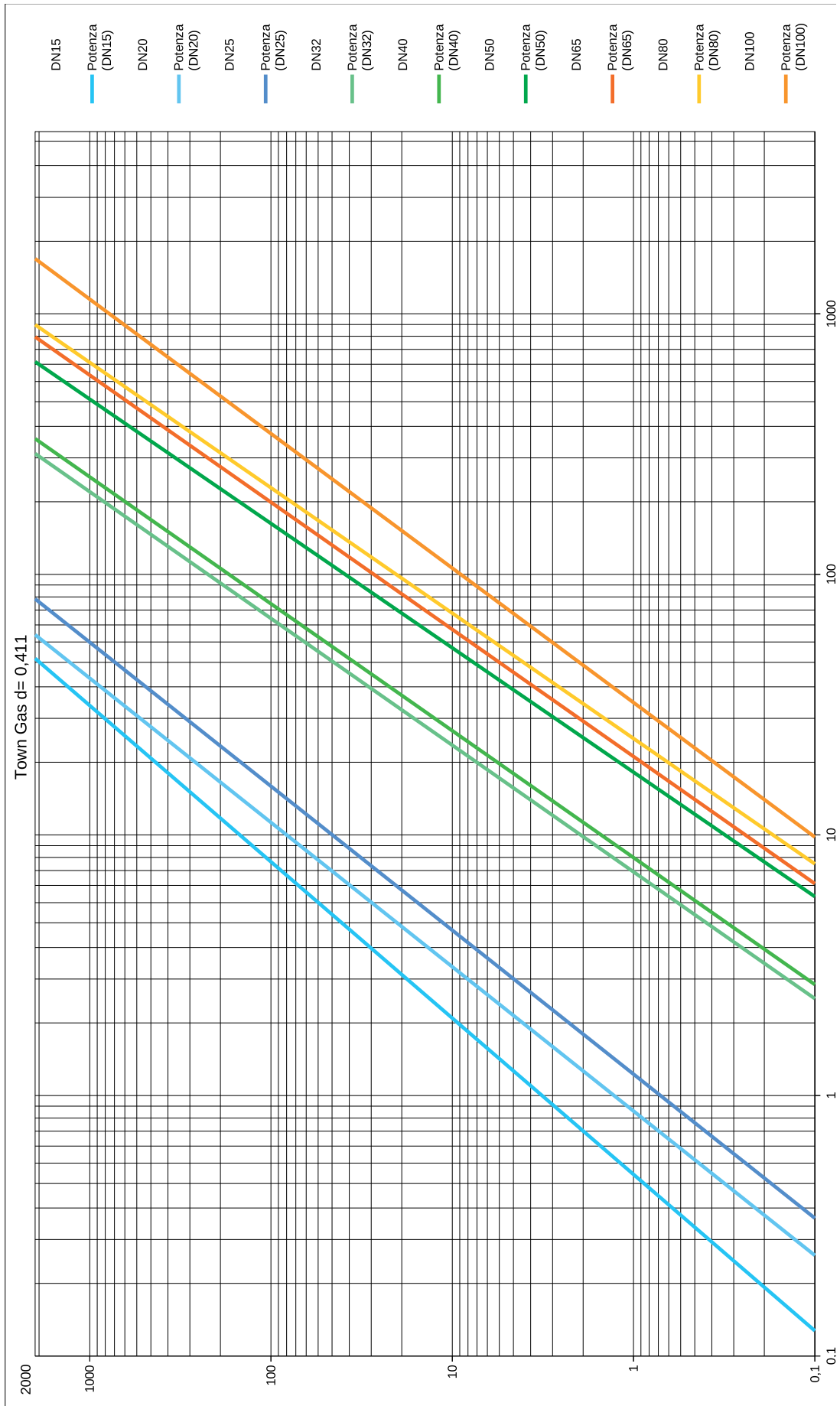
## Gas Governor 1 & 2 bar - Natural Gas d=0,554

Pressure drops (mbar)



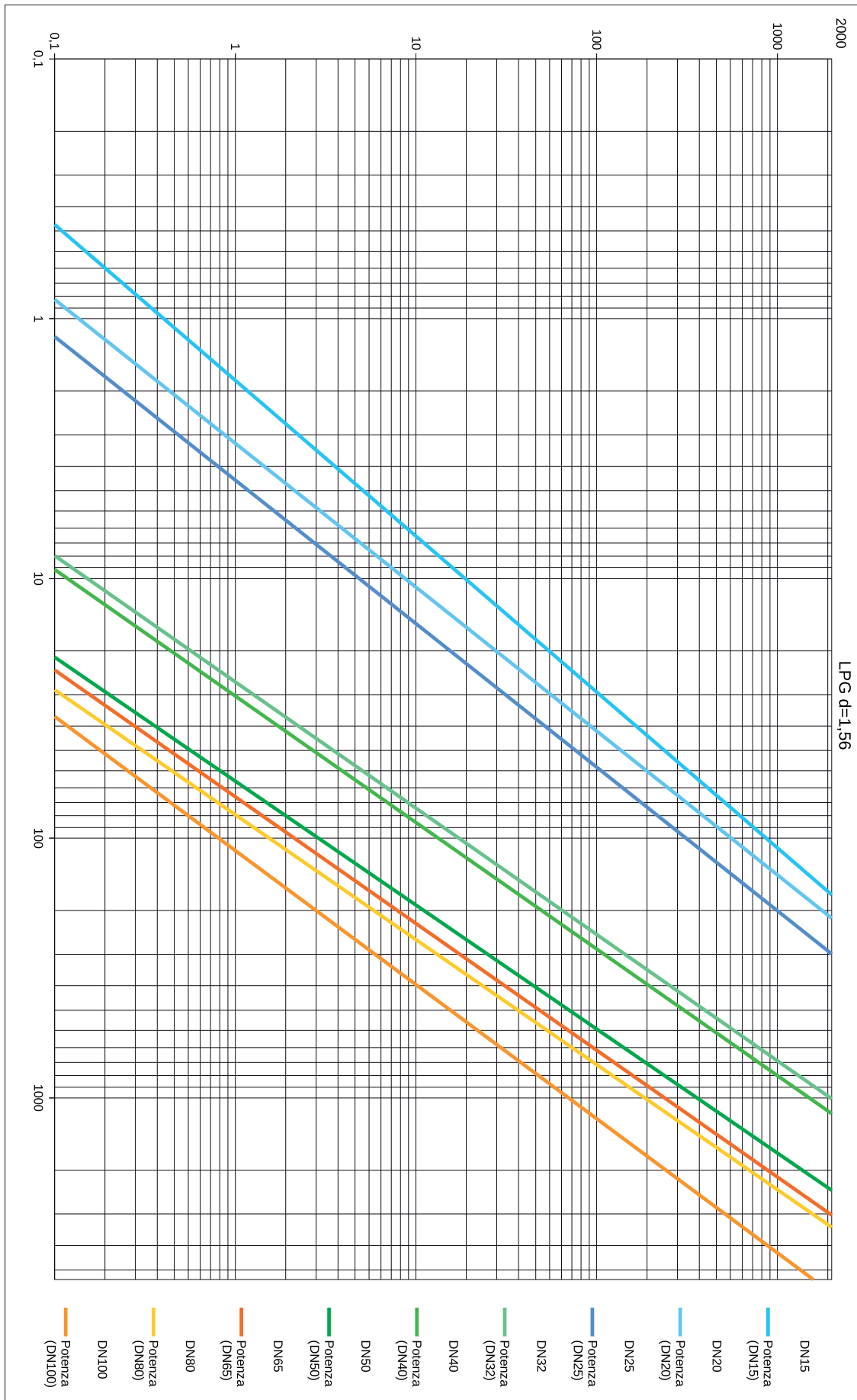
# Gas Governor 1 & 2 bar - Town Gas d=0,411

Pressure drops (mbar)



## Gas Governor 1 & 2 bar - LPG d=1,58

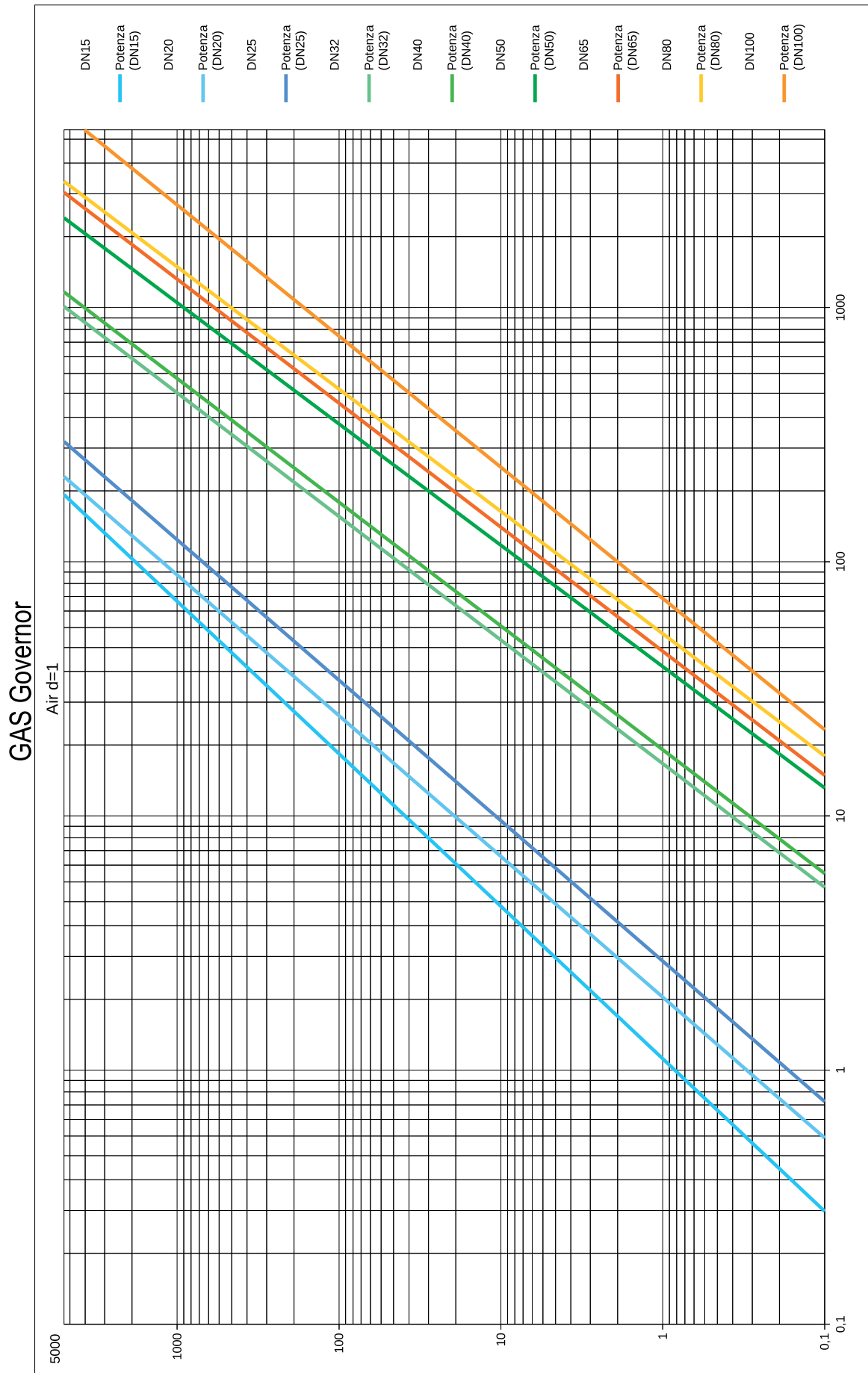
Pressure drops (mbar)





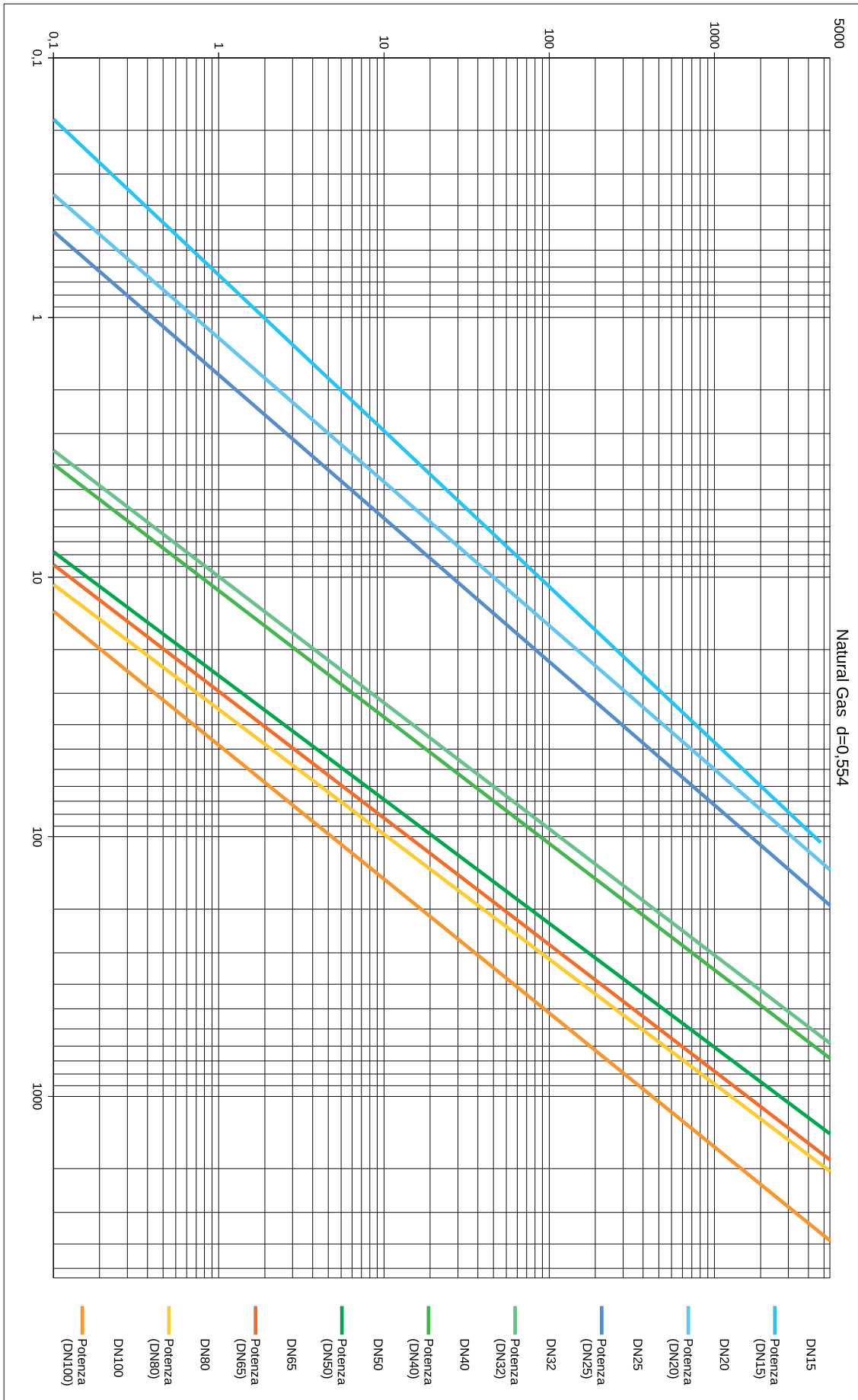
# Gas Governor 5 bar - Air d=1

Pressure drops (mbar)



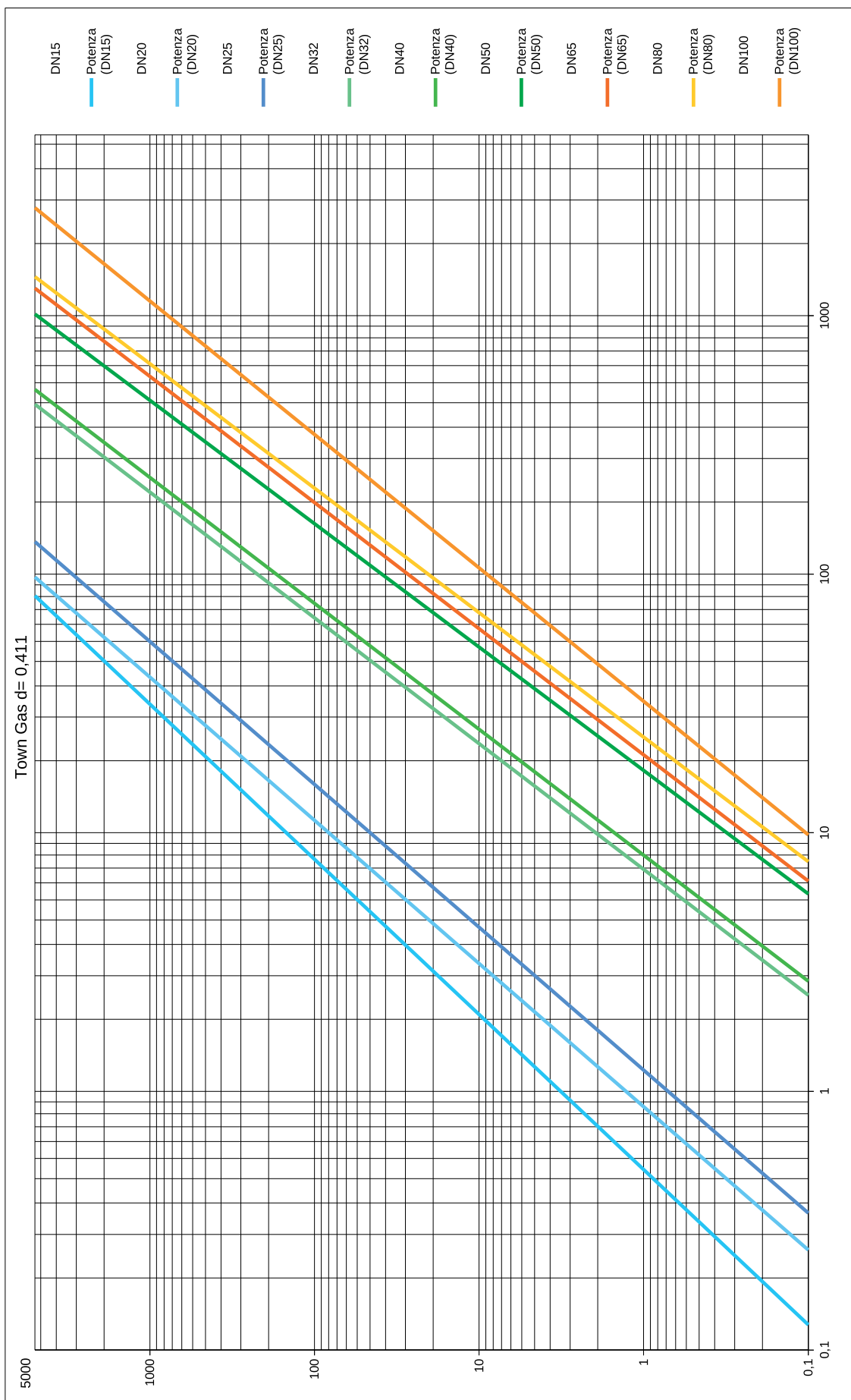
# Gas Governor 5 bar - Natural Gas d=0,554

Pressure drops (mbar)



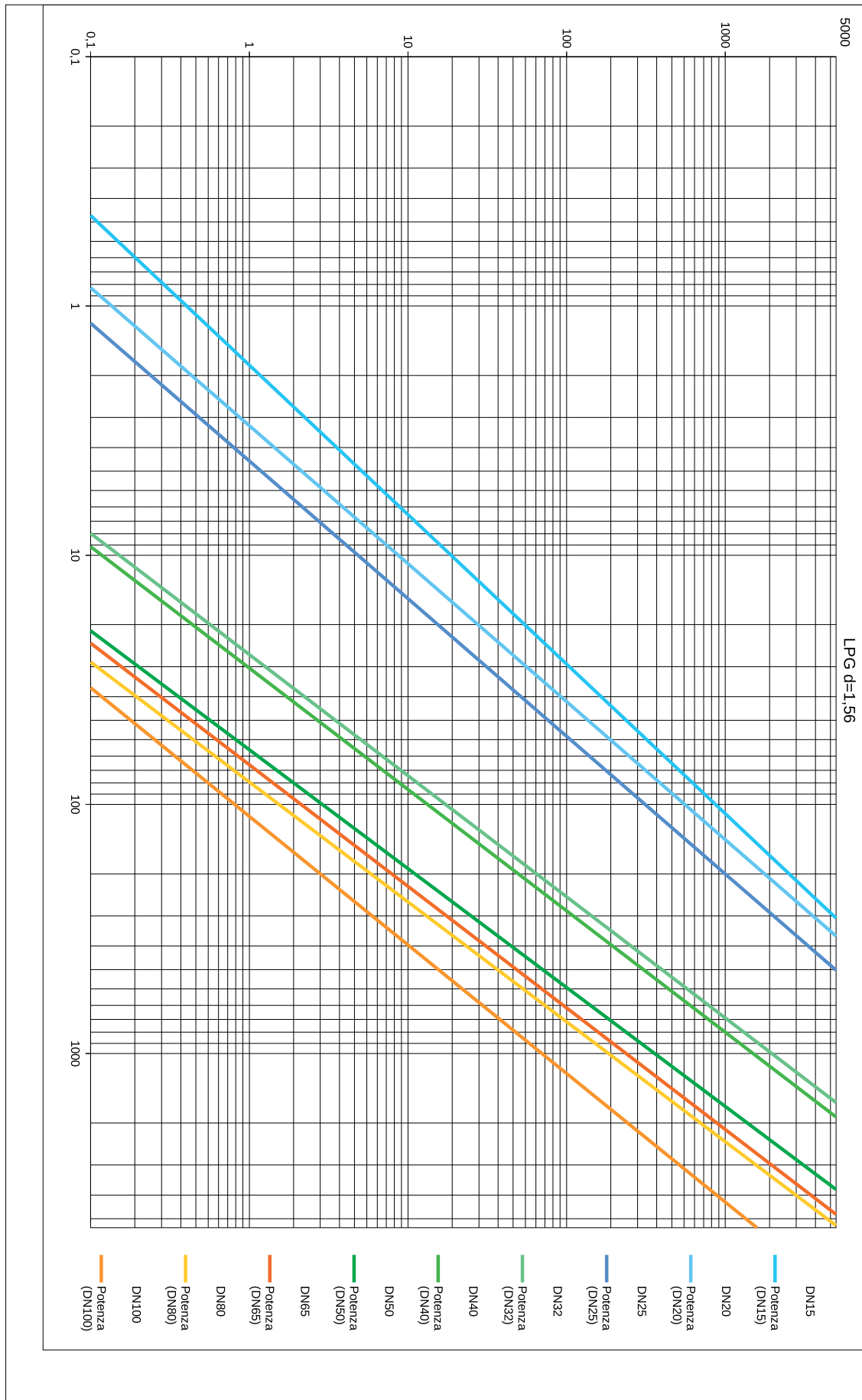
# Gas Governor 5 bar - Town Gas d=0,411

Pressure drops (mbar)



## Gas Governor 5 bar - LPG d=1,58

Pressure drops (mbar)



## Special versions



Geca can produce gas governor with different connection specific for the different markets and applications. This solutions are on request.

## Electronic pressure gauge



Pressure gauges measure negative pressure, positive pressure and differential pressure of non-aggressive, gaseous. The manometer is used in production and extraction systems to measure different pressures or the pressure drop in gas flows. It is also used to check inlet and outlet pressure of gas governor, it is an ideal aid for adjusting burners, e.g. to check the burner pressure and the gas/air ratio etc.

### TECHNICAL FEATURES

<b>Power supply</b>	4 AA batteries
<b>Battery life</b>	25÷30 hours (constantly working)
<b>Range:</b>	0 - 500 mbar
<b>Accuracy:</b>	±1%

## *Gas Regulator with Slam Shut valve integrated for Over and under pressure*

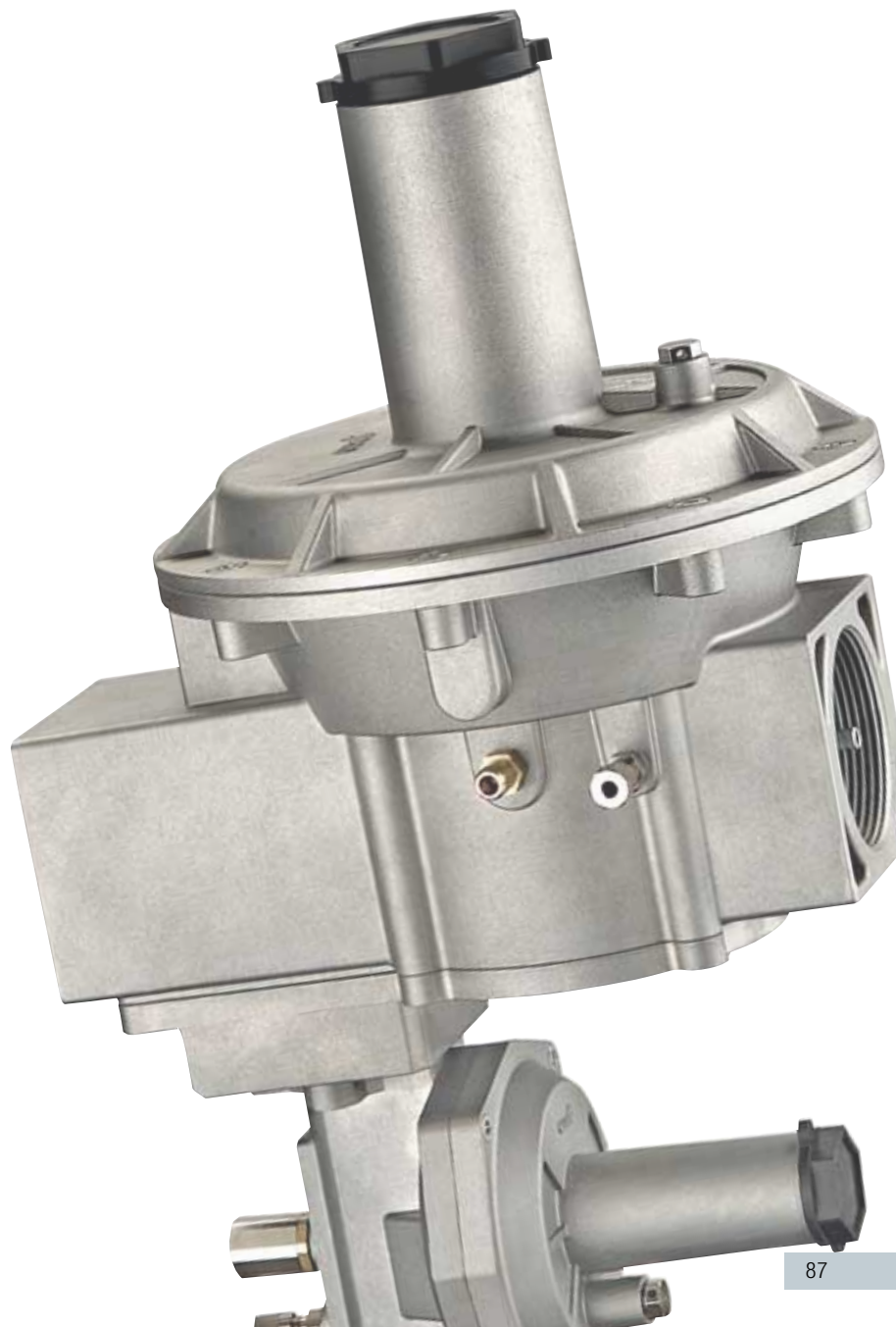
» The gas pressure regulators are spring-loaded gas regulators with balanced plug, diaphragm command and contrast action by spring, suitable for low and medium pressure. Regulator and shut-off device are supplied with internal sensing lines. Both regulator and shut-off device are preset for connection to an external sensor line by the customer. They are widely used either in civil or industrial plants, using natural gas or LPG or non-corrosive gas. This regulator is equipped with an integrated slam shut valve that closes in case pressure goes over or/and under the set point limit.

# Gas Regulator

Gas Regulator with Slam Shut valve integrated for Over and Under pressure - 1 1/4" , 1 1/2" , 2" - Pmax 500 mbar

---

p. 88



## Gas Regulator with Slam Shut valve integrated for Over and Under pressure - 1 1/4", 1 1/2", 2" - Pmax 500 mbar



Code	Description	Dimension	Pmax
RG032-SSV	Gas Regulator	1 1/4"	500 mbar
RG040-SSV	Gas Regulator	1 1/2"	500 mbar
RG050-SSV	Gas Regulator	2"	500 mbar

Code	Description	Dimension	Pmax
RGD32-SSV	Gas Regulator	DN32	500 mbar
RGD40-SSV	Gas Regulator	DN40	500 mbar
RGD50-SSV	Gas Regulator	DN50	500 mbar

### UPS0 Spring

Code:	Color	Range mbar
SPY2-U.	Yellow	5 - 14 mbar
SPN2-U.	Neutral	30 - 60 mbar

### OPSO Spring

Code:	Color	Range mbar
SPB2-O.	Black	150 - 250 mbar
SPG2-O.	Green	300 - 500 mbar
SPBR2-O.	Brown	500 - 700 mbar

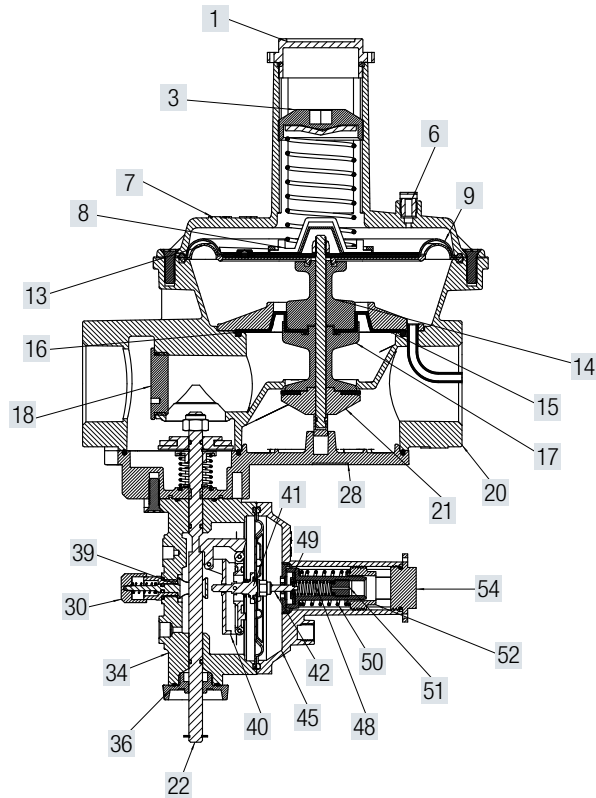
Other range on request

### TECHNICAL FEATURES

<b>Pmax</b>	inlet max – 500 mbar
<b>Setting outlet</b>	5 – 300 mbar – Standard spring supplied 10 – 27 mbar – Other spring on request
<b>UPS0</b>	10 - 60 mbar - Standar spring supplied 5 - 14 mbar
<b>OPSO</b>	150 - 700 mbar - Standar spring supplied 150 - 250 mbar Others configuration on request
<b>Inlet - Outlet Connection</b>	Thread gas 1 1/4" 1 1/2" - ISO 228 connection DN32 DN40 DN50 - Sliding Aluminium flange PN10
<b>Test point</b>	Inlet / outlet on request – Test point 1/8" NPT
<b>Working Temperature</b>	- 20 °C – + 60 °C
<b>Use</b>	Not aggressive gases of three families – Natural Gas – LPG – Town Gas
<b>Approval</b>	UNI EN 88-1:2008 / PED
<b>Materials:</b>	
<b>Complete Body</b>	Die – Cast Aluminium Gd – AlSi12Cu - EN AB 46100
<b>Diaphragms</b>	NBR 60Sh – DvGW EN 549
<b>Plastic components</b>	White POM / Pa 66 + 25% Gf

Code:	Color	Range mbar
SPW2-5	White	5 - 14 mbar
SPY2-5	Yellow	6 - 22 mbar
SPN2-5	Neutral	10 - 27 mbar
SPR2-5	Red	28 - 70 mbar
SPBK2-5	Black	60 - 130 mbar
SPB2-5	Blue	120 - 300 mbar



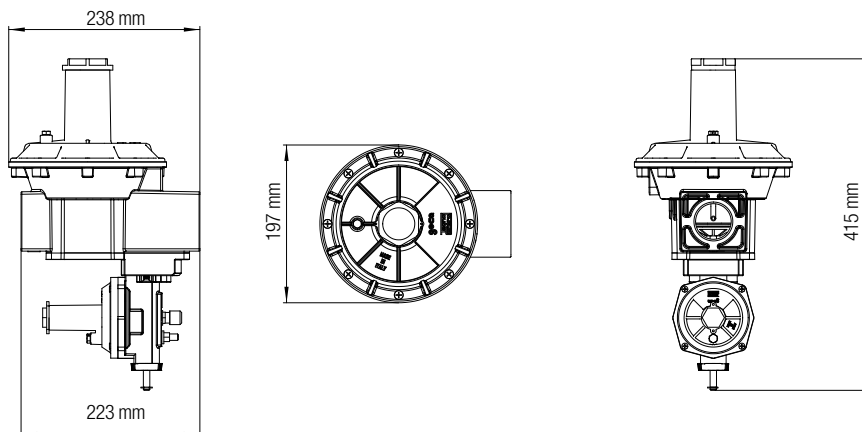


1	Seal cap
2	O-Ring
3	Spring compressor
4	Washer
5	Screws
6	Vent cap
7	Upper cover
8	Plastic Washer
9	Safety diaphragm
10	Calibrated nozzle
11	Washer
12	Disc
13	Compensation diaphragm
14	Upper Bush

15	Disc
16	Working diaphragm
17	Lower bush
18	Cap
19	O-Ring
20	Body
21	Sensing Tube
22	Shaft
23	Seal washer
24	Shaft-Insert Assembly
25	Spring
26	Nut
27	Gasket
28	Cover

29	O-Ring
30	Release button
31	Spring
32	Fitting
33	O-Ring
34	Body
35	O-Ring
36	Reset knob
37	Seeger
38	O-Ring
39	Release shaft
40	Levers assembly
41	Spring
42	Shaft-membrane Assembly

43	O-Ring
44	Insert
45	Cap
46	Screws
47	Washer
48	Spring UPSO Min
49	Insert
50	Spring OPSO Max
51	Spring compressor UPSO
52	Spring compressor
53	O-Ring
54	Seal Cap



Dimension	1 ¼"	1 ½"	2"
WEIGHT (kgs)	4,57	4,52	4,4

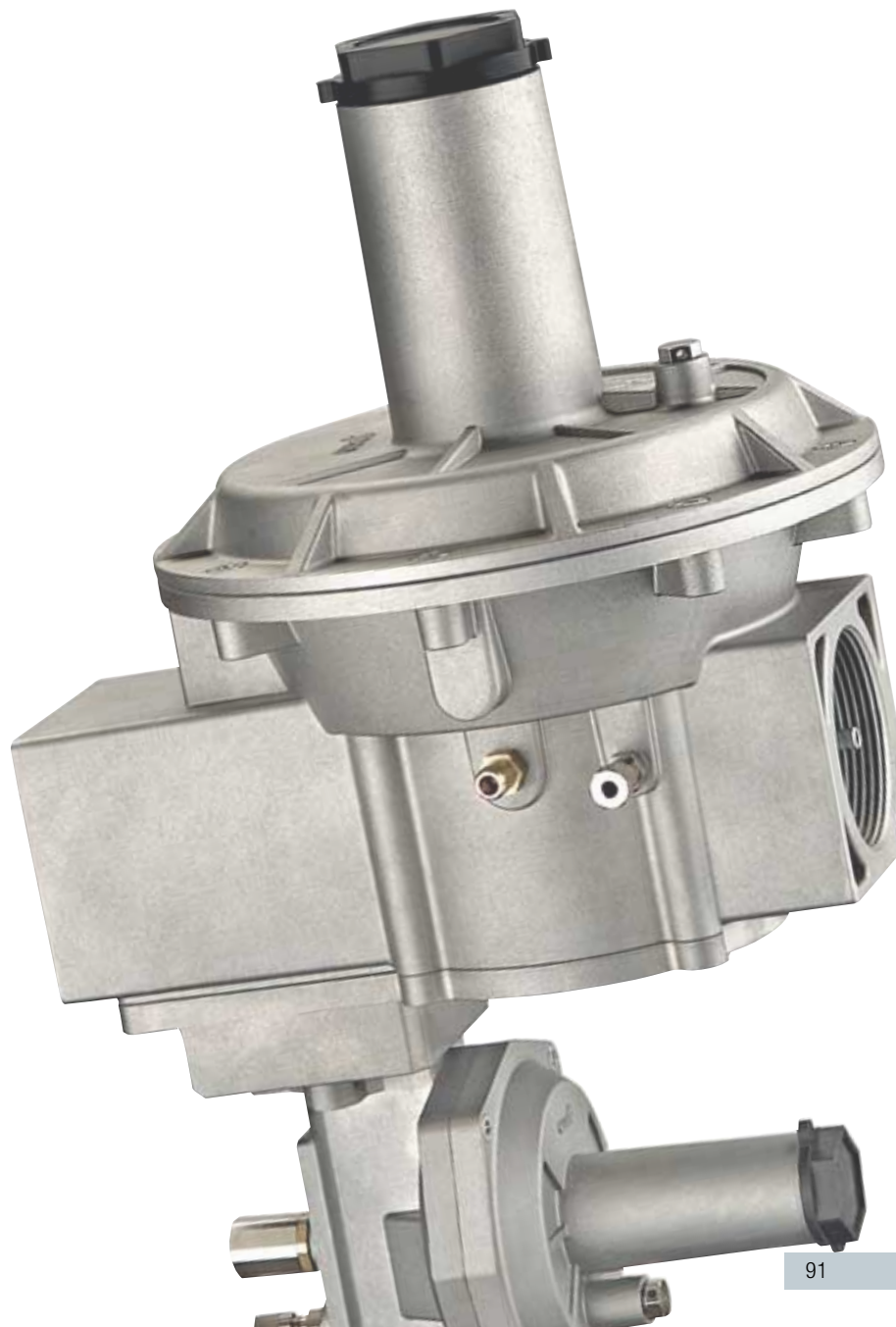
*Gas Regulator with Slam Shut valve integrated for  
Over and under pressure - 5 bar*



# Gas Regulator

Gas Regulator with Slam Shut valve integrated for Over and Under pressure - 1 ¼" , 1 ½" , 2" - Pmax 5 bar p. 92

---



## Gas Regulator with Slam Shut valve integrated for Over and Under pressure - 1 1/4", 1 1/2", 2" - Pmax 5 bar



Code	Description	Dimension	Pmax
RG032-5B-SSV	Gas Regulator with SSV	1 1/4"	5 bar
RG040-5B-SSV	Gas Regulator with SSV	1 1/2"	5 bar
RG050-5B-SSV	Gas Regulator with SSV	2"	5 bar

Code	Description	Dimension	Pmax
RGD32-5B-SSV	Gas Regulator with SSV	DN32	5 bar
RGD40-5B-SSV	Gas Regulator with SSV	DN40	5 bar
RGD50-5B-SSV	Gas Regulator with SSV	DN50	5 bar

### UPS0 Spring

Code:	Color	Range mbar
SPY2-U.	Yellow	5 - 14 mbar
SPN2-U.	Neutral	30 - 60 mbar

### OPSO Spring

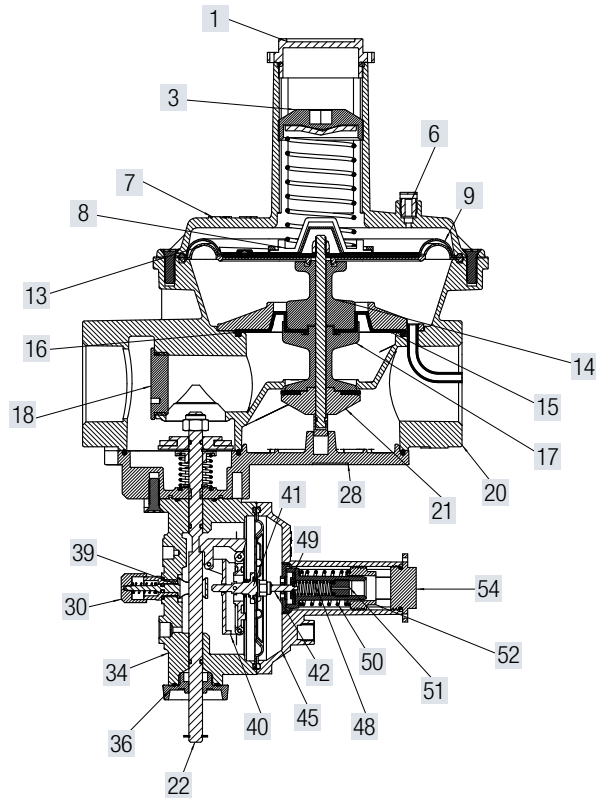
Code:	Color	Range mbar
SPB2-0.	Black	150 - 250 mbar
SPG2-0.	Green	300 - 500 mbar
SPBR2-0.	Brown	500 - 700 mbar

Other range on request

### TECHNICAL FEATURES

<b>Pmax</b>	inlet max – 5 bar
<b>Setting outlet</b>	6 – 480 mbar – Standard spring supplied 10 – 27 mbar – Other spring on request
<b>UPS0</b>	10 - 60 mbar - Standar spring supplied 5 - 14 mbar
<b>OPSO</b>	150 - 700 mbar - Standar spring supplied 150 - 250 mbar Others configuration on request
<b>Inlet - Outlet Connection</b>	Thread gas 1 1/4" 1 1/2" - ISO 228 connection DN32 DN40 DN50 - Sliding Aluminium flange PN10
<b>Test point</b>	Inlet / outlet on request – Test point 1/8" NPT
<b>Working Temperature</b>	- 20 °C – + 60 °C
<b>Use</b>	Not aggressive gases of three families – Natural Gas – LPG – Town Gas
<b>Approval</b>	UNI EN 88-2:2008 / PED
<b>Materials:</b>	
<b>Complete Body</b>	Die – Cast Aluminium Gd – AlSi12Cu - EN AB 46100
<b>Diaphragms</b>	NBR 60Sh – DvGW EN 549 Reinforced diaphragm
<b>Plastic components</b>	White POM / Pa 66 + 25% Gf

Code:	Color	Range mbar
SPY2-12	Yellow	6 - 22 mbar
SPN2-12	Neutral	10 - 27 mbar
SPR2-12	Red	28 - 70 mbar
SPBK2-12	Black	60 - 130 mbar
SPG2-12	Green	120 - 300 mbar
SPBR2-12	Brown	220 - 480 mbar

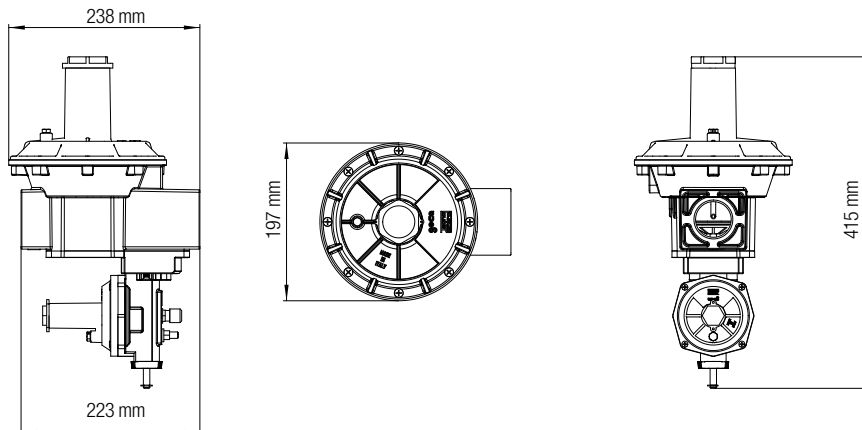


1	Seal cap
2	O-Ring
3	Spring compressor
4	Washer
5	Screws
6	Vent cap
7	Upper cover
8	Plastic Washer
9	Safety diaphragm
10	Calibrated nozzle
11	Washer
12	Disc
13	Compensation diaphragm
14	Upper Bush

15	Disc
16	Working diaphragm
17	Lower bush
18	Cap
19	O-Ring
20	Body
21	Sensing Tube
22	Shaft
23	Seal washer
24	Shaft-Insert Assembly
25	Spring
26	Nut
27	Gasket
28	Cover

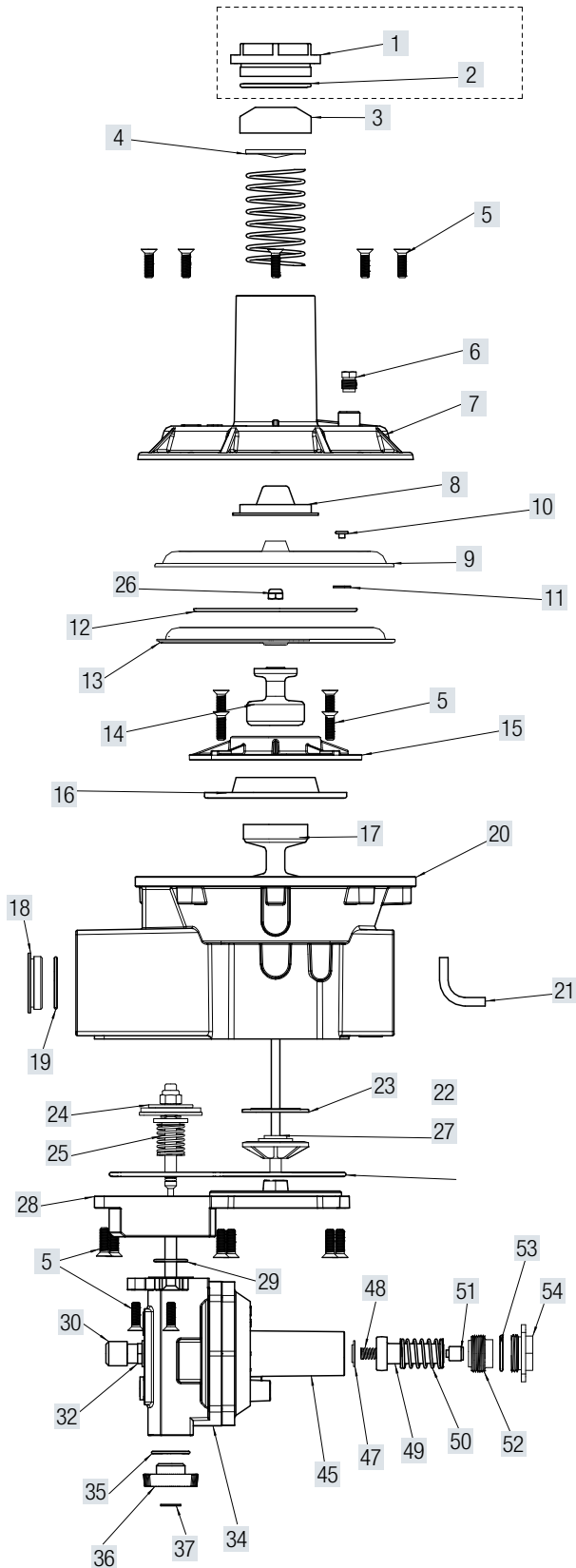
29	O-Ring
30	Release button
31	Spring
32	Fitting
33	O-Ring
34	Body
35	O-Ring
36	Reset knob
37	Seeger
38	O-Ring
39	Release shaft
40	Lever assembly
41	Spring
42	Shaft-membrane Assembly

43	O-Ring
44	Insert
45	Cap
46	Screws
47	Washer
48	Spring UPSO Min
49	Insert
50	Spring OPSO Max
51	Spring compressor UPSO
52	Spring compressor
53	O-Ring
54	Seal Cap



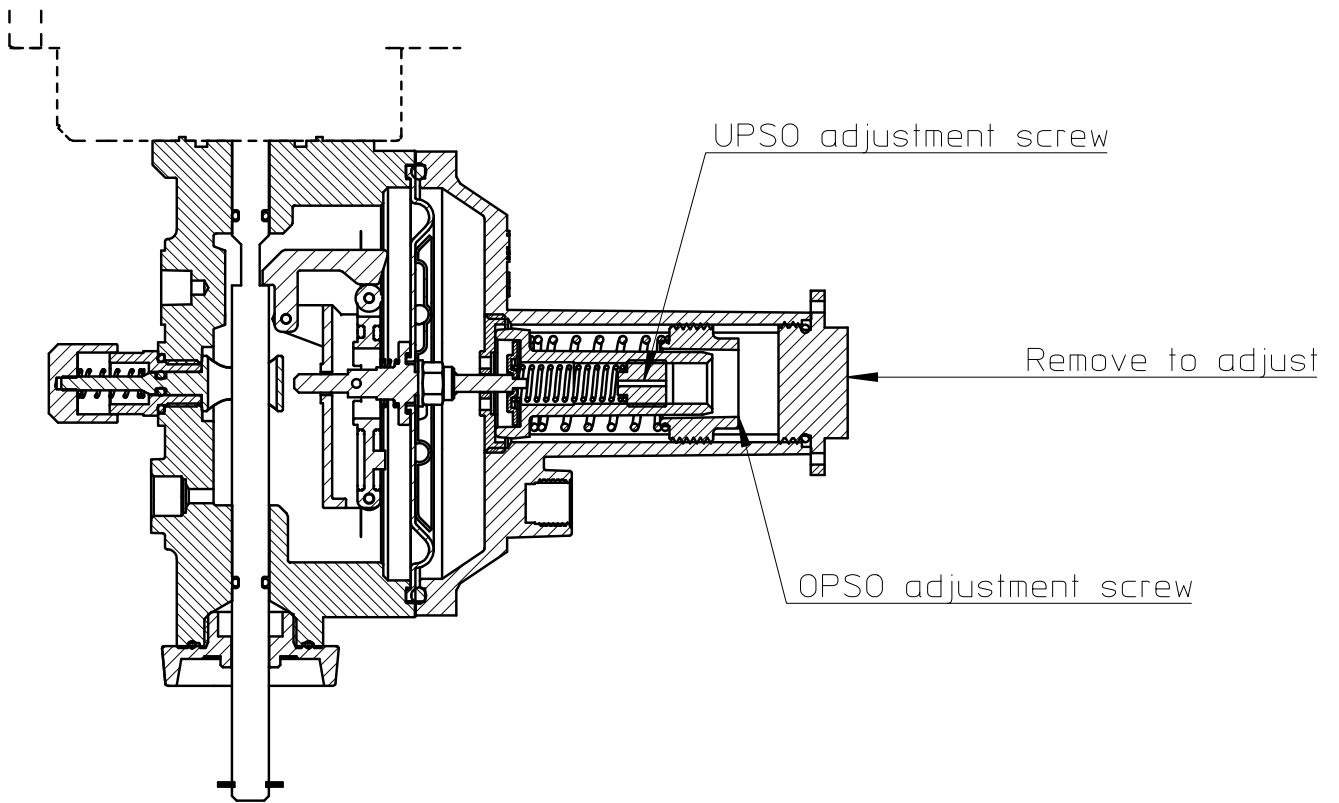
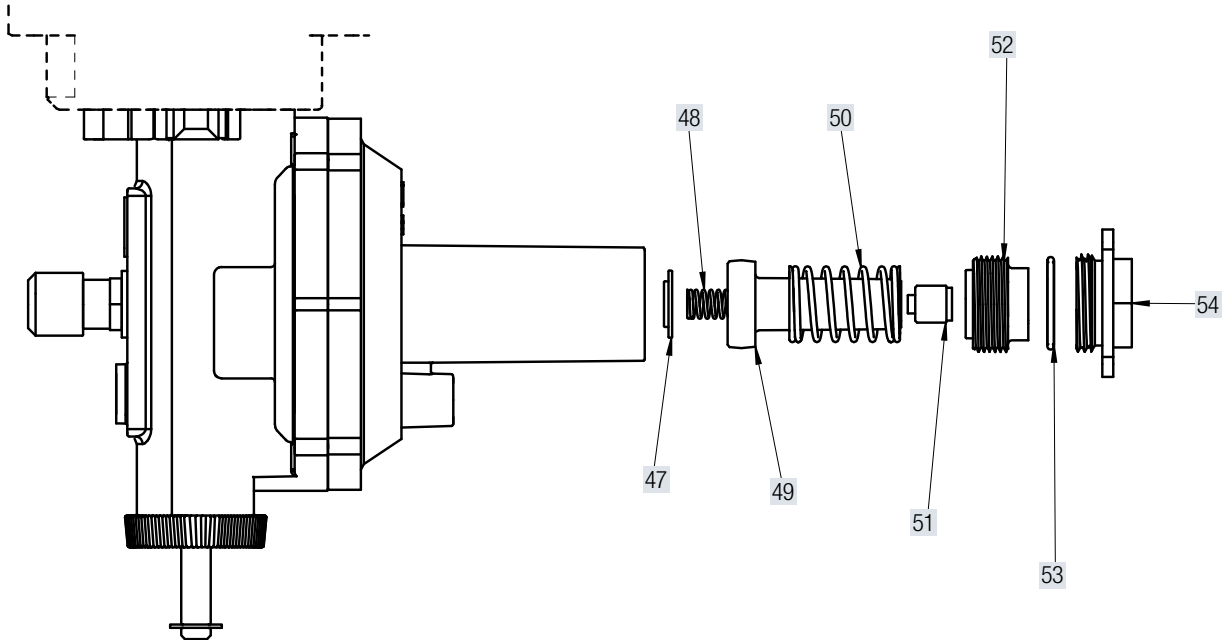
Dimension	1 ¼"	1 ½"	2"
WEIGHT (kgs)	4,57	4,52	4,4

ASSEMBLY OVERVIEW



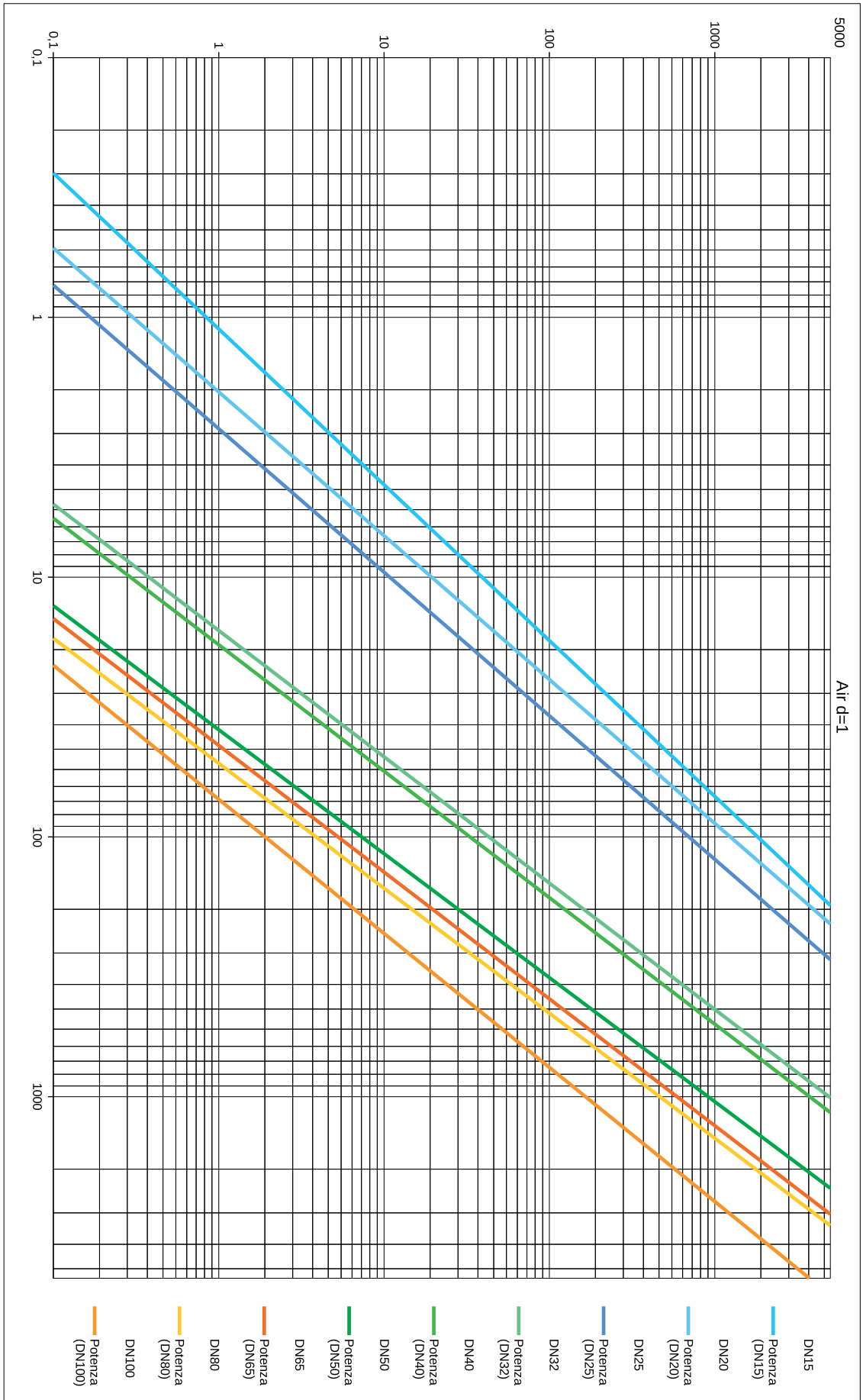
1	Seal cap
2	O-Ring
3	Spring compressor
4	Washer
5	Screws
6	Vent cap
7	Upper cover
8	Plastic Washer
9	Safety diaphragm
10	Calibrated nozzle
11	Washer
12	Disc
13	Compensation diaphragm
14	Upper Bush
15	Disc
16	Working diaphragm
17	Lower bush
18	Cap
19	O-Ring
20	Body
21	Sensing Tube
22	Shaft
23	Seal washer
24	Shaft-Insert Assembly
25	Spring
26	Nut
27	Gasket
28	Cover
29	O-Ring
30	Release button
31	Spring
32	Fitting
33	O-Ring
34	Body
35	O-Ring
36	Reset knob
37	Seeger
38	O-Ring
39	Release shaft
40	Levers assembly
41	Spring
42	Shaft-membrane Assembly
43	O-Ring
44	Insert
45	Cap
46	Screws M4
47	Washer
48	Spring UPSO Min
49	Insert
50	Spring OPSO Max
51	Spring compressor UPSO
52	Spring compressor
53	O-Ring
54	Seal Cap

# SETTINGS



# Gas Regulator 500 mbar & 5 bar - Air d=1

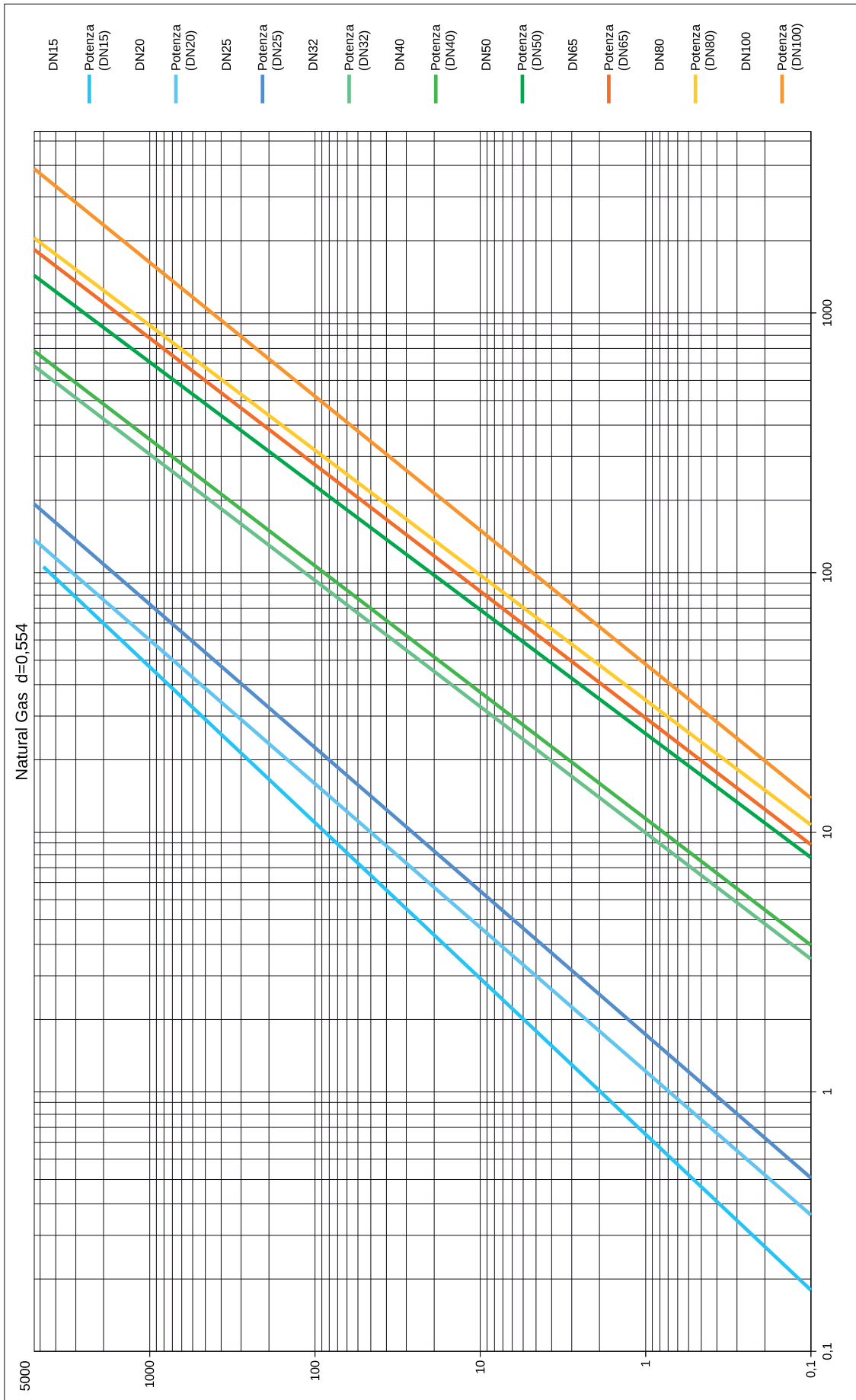
Pressure drops (mbar)





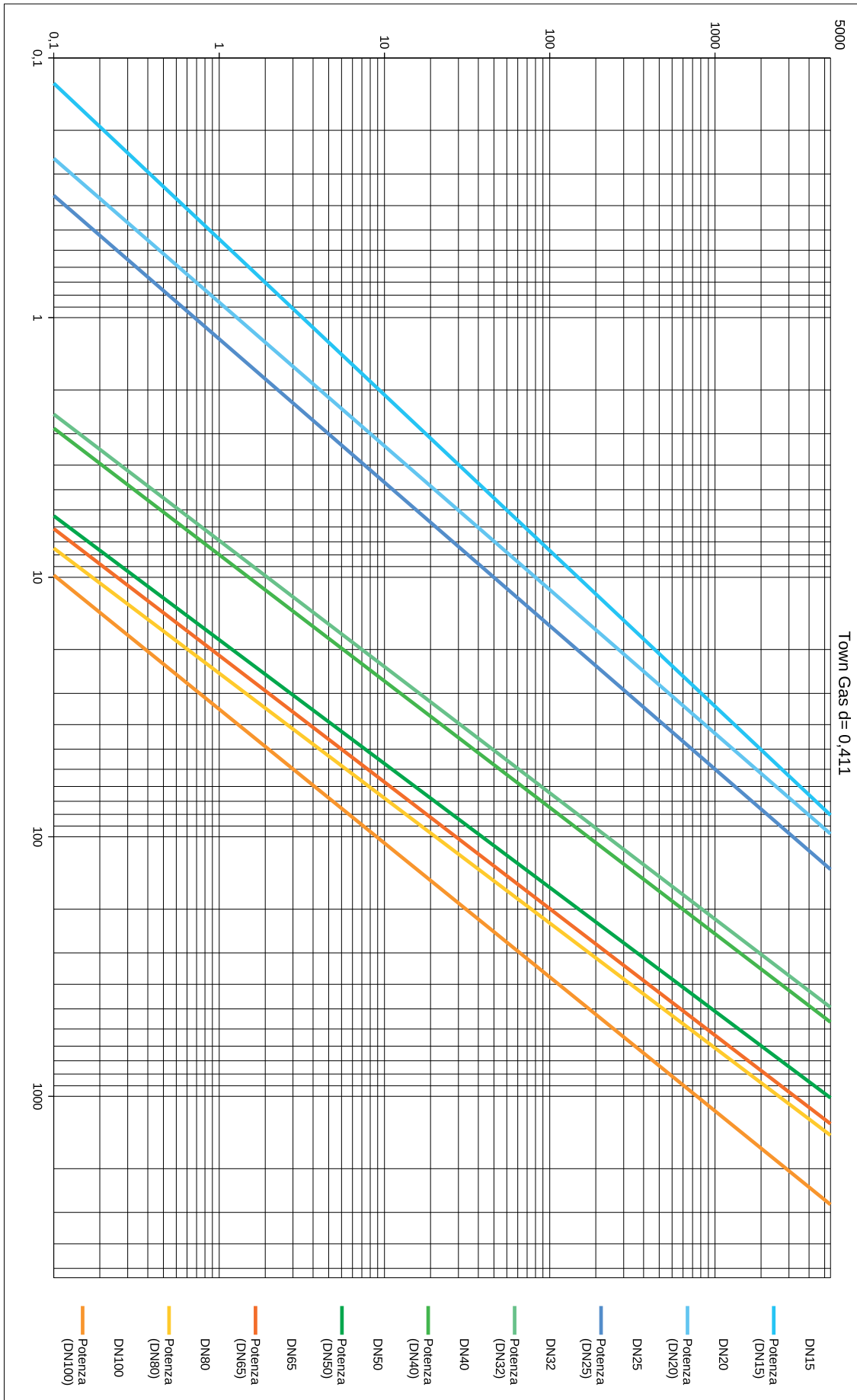
# Gas Regulator 500 mbar & 5 bar - Natural Gas d=0,554

Pressure drops (mbar)



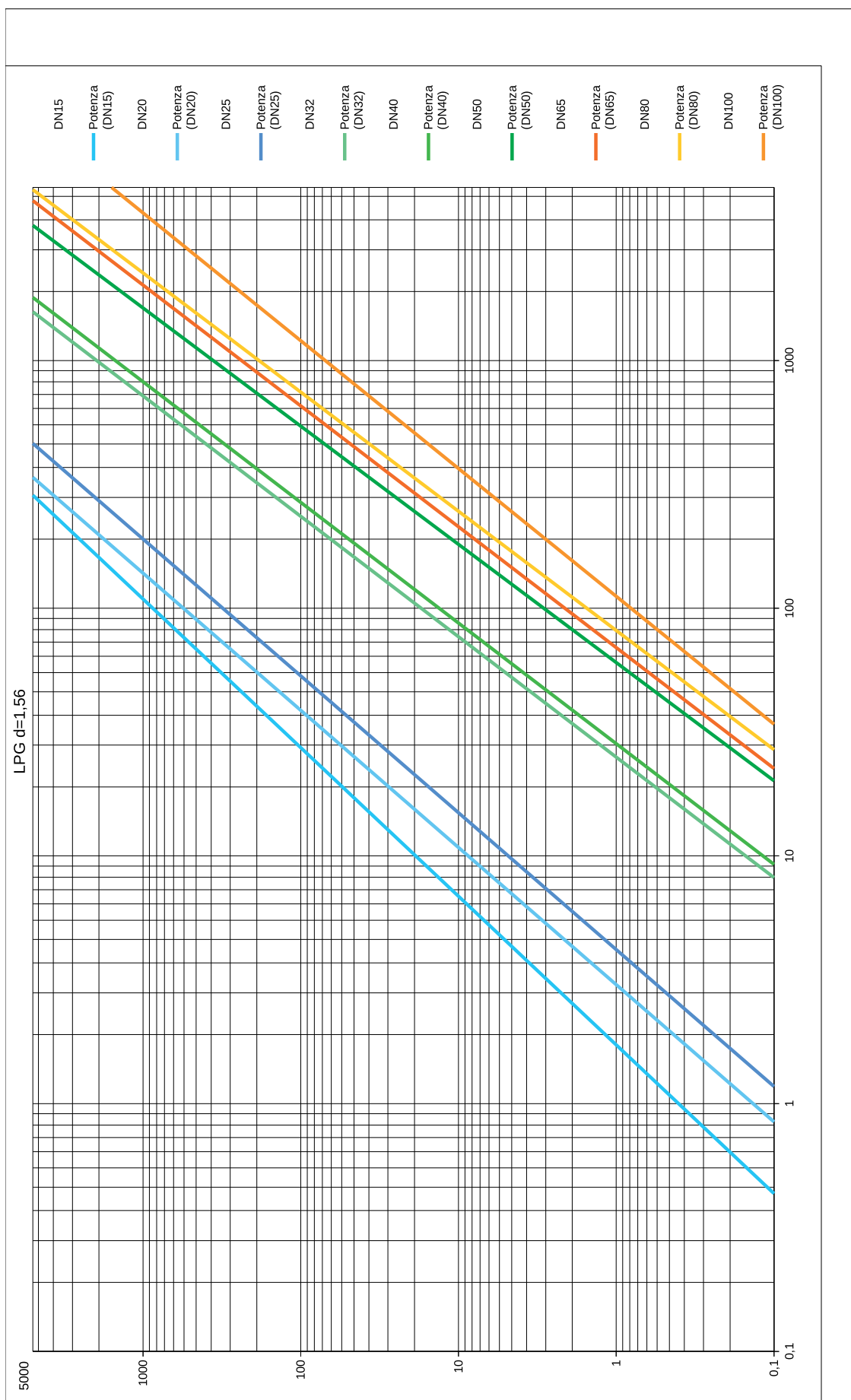
## Gas Regulator 500 mbar & 5 bar - Town Gas d=0,411

Pressure drops (mbar)



# Gas Regulator 500 mbar & 5 bar - LPG d=1,58

Pressure drops (mbar)



## *Gas Filters*

» Gas filters can be used for all the types of natural gas, LPG or not corrosive gases. These filters are widely used for protection of control devices, pressure regulators, meters and on systems that requiring an high degree of filtration.



# Gas Filters

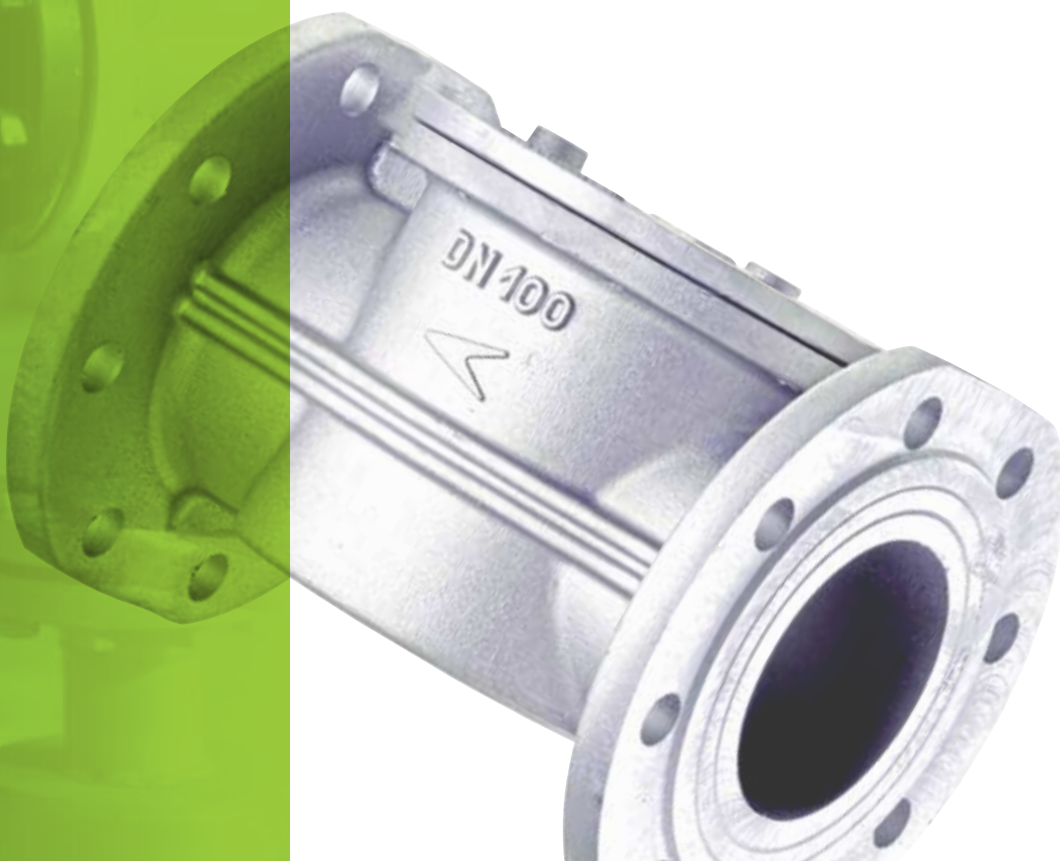
GAS FILTER 1/2", 3/4", 1" – Small capacity – Pmax 6 bar p. 102

GAS FILTER 1/2", 3/4", 1" – Pmax 6 bar p. 104

GAS FILTER 1 1/4", 1 1/2" and 2" – Pmax 6 bar p. 106

GAS FILTER DN65 – DN80 – DN100 – Pmax 6 bar p. 108

GAS FILTER DN125 – DN150 – Pmax 6 bar p. 110



**GAS FILTER ½", ¾", 1" – Small capacity – Pmax 6 bar**



Code	Description	Dimension	Pmax
GF015SC	Gas filter small capacity	½"	6 bar
GF020SC	Gas filter small capacity	¾"	6 bar
GF025SC	Gas filter small capacity	1"	6 bar

**TECHNICAL FEATURES**

**Operation maximum pressure** 6 bar / available version 10 bar

**Working Temperature** - 20 °C – + 60 °C

**Filtration** ≤ 50 Micron

**Use** Non – aggressive gases – Family 1 – 2 – 3 and air

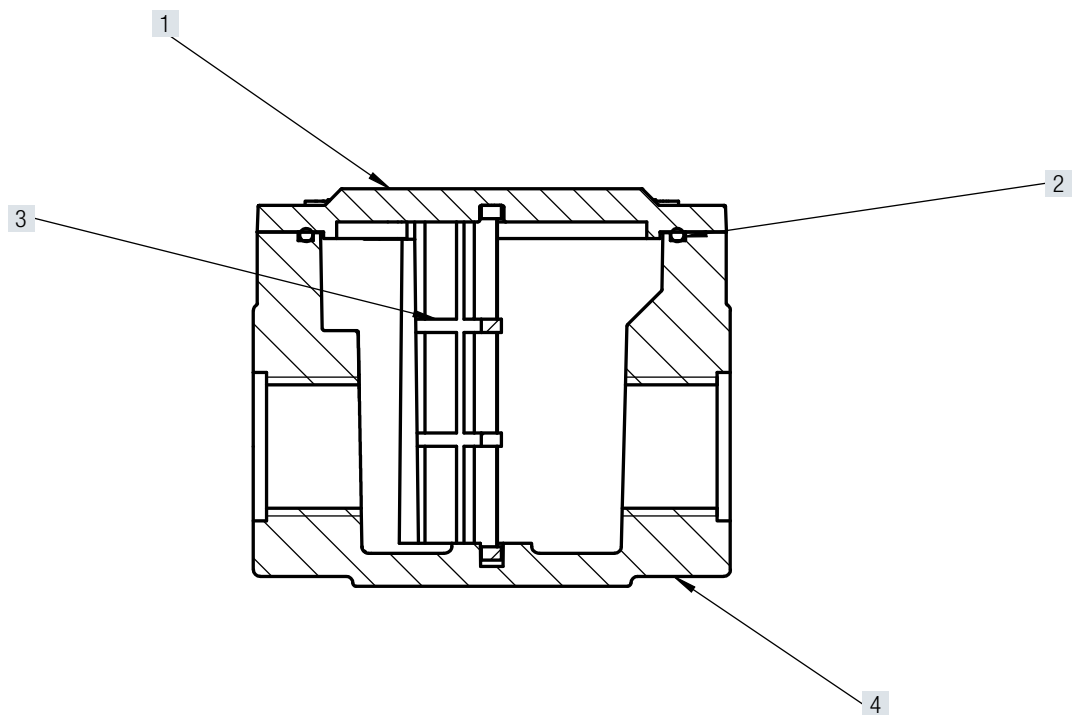
**Cartridge element** Plastic cartridge PP

**Connection** ½" – ¾" – 1" Wall boiler – ISO 228

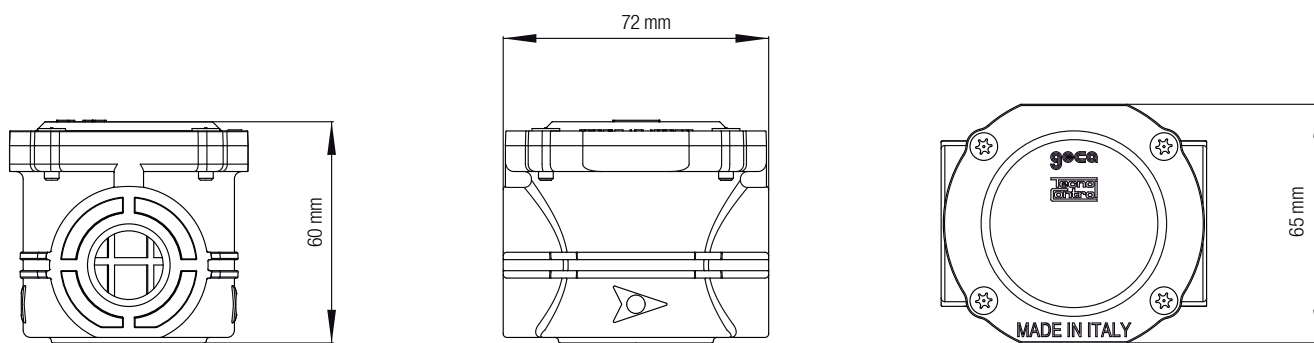
**Complete Body** Die – Cast Aluminium Gd – AISI12Cu – EN AB 46100

**Seals** NBR

**Approval** PED / EAC



- 1** Cover
- 2** Seal O ring
- 3** Filter cartridge
- 4** Body



Dimension	1/2"	3/4"	1"
WEIGHT (kgs)	0,221	0,212	0,199

**GAS FILTER 1/2", 3/4", 1" – Pmax 6 bar**



Code	Description	Dimension	Pmax
GF015	Gas filter	1/2"	6 bar
GF020	Gas filter	3/4"	6 bar
GF025	Gas filter	1"	6 bar
GFD25	Gas filter	DN25	6 bar
GF015-TPIO	Gas filter with test point in/out	1/2"	6 bar
GF020-TPIO	Gas filter with test point in/out	3/4"	6 bar
GF025-TPIO	Gas filter with test point in/out	1"	6 bar
GFD25-TPIO	Gas filter with test point in/out	DN25	6 bar
GF015-SP	Gas filter with screw plugs	1/2"	6 bar
GF020-SP	Gas filter with screw plugs	3/4"	6 bar
GF025-SP	Gas filter with screw plugs	1"	6 bar
GFD25-SP	Gas filter with screw plugs	DN25	6 bar

**TECHNICAL FEATURES**

<b>Operation maximum pressure</b>	6 bar / available version 10 bar
<b>Working Temperature</b>	- 20 °C – + 60 °C
<b>Filtration</b>	50 Micron
<b>Use</b>	Non – aggressive gases – Family 1 – 2 – 3 and air
<b>Cartridge element</b>	Viledon cartridge
<b>Inlet - Outlet Connection</b>	Thread gas 1/2" – 3/4" 1" – ISO 228 DN25 - Sliding Aluminium flange PN10
<b>Complete Body</b>	Die – Cast Aluminium Gd – AISi12Cu - EN AB 46100
<b>Seals</b>	NBR
<b>Approval</b>	PED / EAC

**Optional:**

- Test point – NPT 1/4"

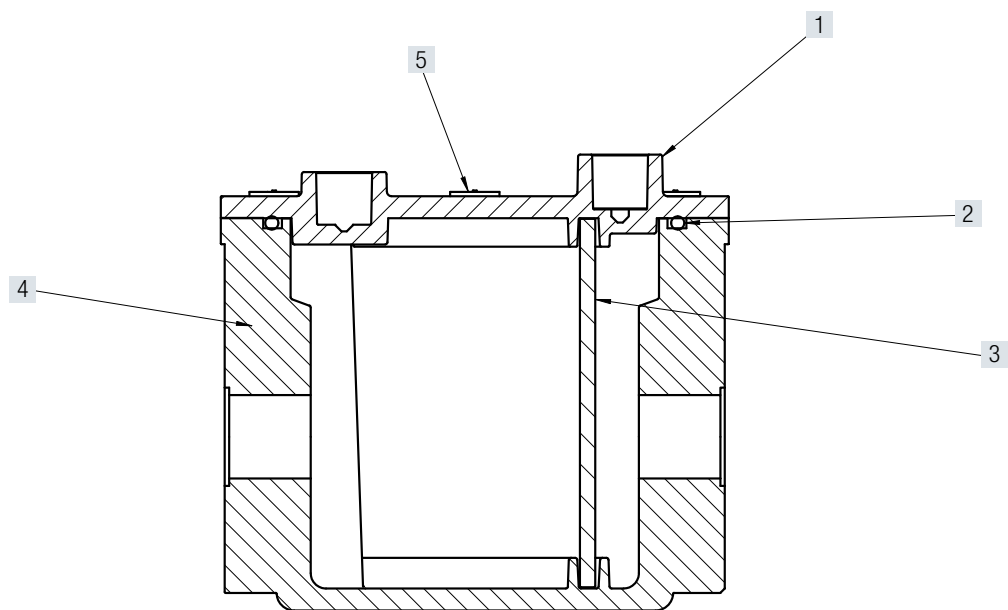
- Screw – NPT 1/4"

- Peters plug

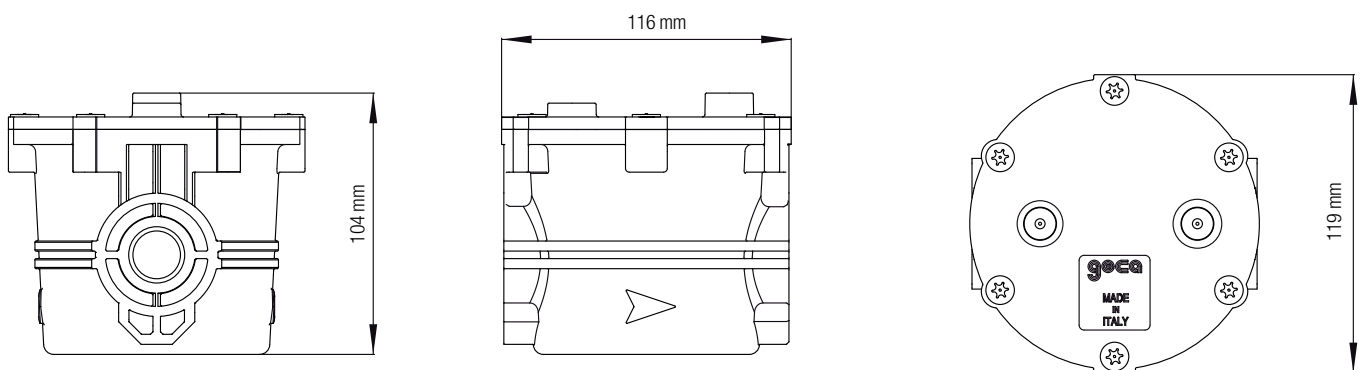
- Manometer

- DP clogging indicator





- 1 Test point connection
- 2 Seal O ring
- 3 Filter cartridge
- 4 Body
- 5 Cover



Dimension	1/2"	3/4"	1"
WEIGHT (kgs)	0,806	0,795	0,786

## GAS FILTER 1 ¼", 1 ½" and 2" – Pmax 6 bar



Code	Description	Dimension	Pmax
GF032	Gas filter	1 ¼"	6 bar
GF040	Gas filter	1 ½"	6 bar
GF050	Gas filter	2"	6 bar
GFD32	Gas filter	DN32	6 bar
GFD40	Gas filter	DN40	6 bar
GFD50	Gas filter	DN50	6 bar

GF032-TPIO	Gas filter with test point in/out	1 ¼"	6 bar
GF040-TPIO	Gas filter with test point in/out	1 ½"	6 bar
GF050-TPIO	Gas filter with test point in/out	2"	6 bar
GFD32-TPIO	Gas filter with test point in/out	DN32	6 bar
GFD40-TPIO	Gas filter with test point in/out	DN40	6 bar
GFD50-TPIO	Gas filter with test point in/out	DN50	6 bar

GF032-SP	Gas filter with screw plugs	1 ¼"	6 bar
GF040-SP	Gas filter with screw plugs	1 ½"	6 bar
GF050-SP	Gas filter with screw plugs	2"	6 bar
GFD32-SP	Gas filter with screw plugs	DN32	6 bar
GFD40-SP	Gas filter with screw plugs	DN40	6 bar
GFD50-SP	Gas filter with screw plugs	DN50	6 bar

### TECHNICAL FEATURES

**Operation maximum pressure** 6 bar / available version 10 bar

**Working Temperature** - 20 °C – + 60 °C

**Filtration** 50 Micron

**Use** Non – aggressive gases – Family 1 – 2 – 3 and air

**Cartridge element** Viledon cartridge

**Inlet - Outlet Connection** Thread gas 1 ¼" 1 ½" 2" – ISO 228  
DN32 DN40 DN50 - Sliding Aluminium flange PN10

**Complete Body** Die – Cast Aluminium Gd – AlSi12Cu - EN AB 46100

**Seals** NBR

**Approval** PED / EAC

#### Optional:

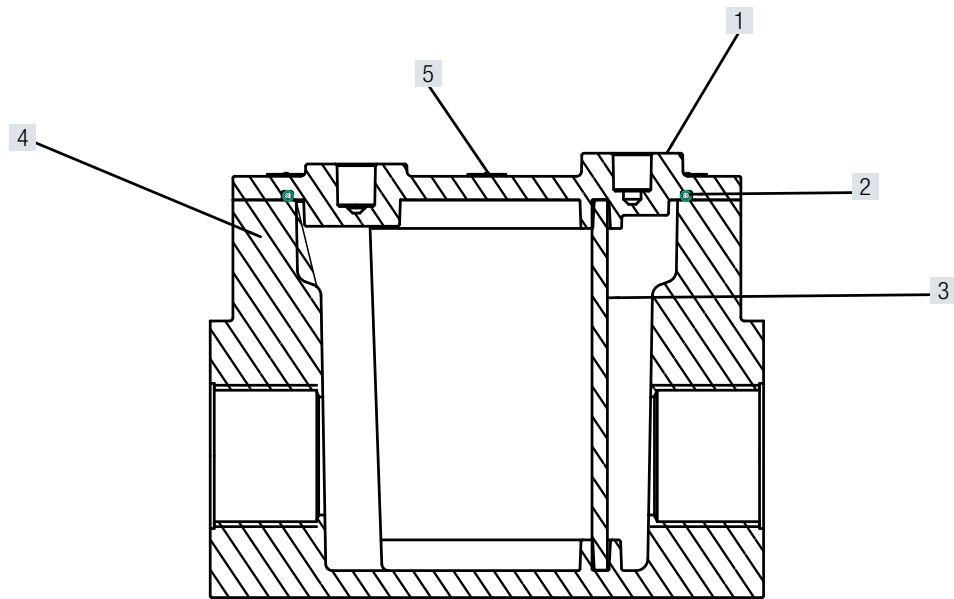
- Test point – NPT ¼"

- Screw – NPT ¼"

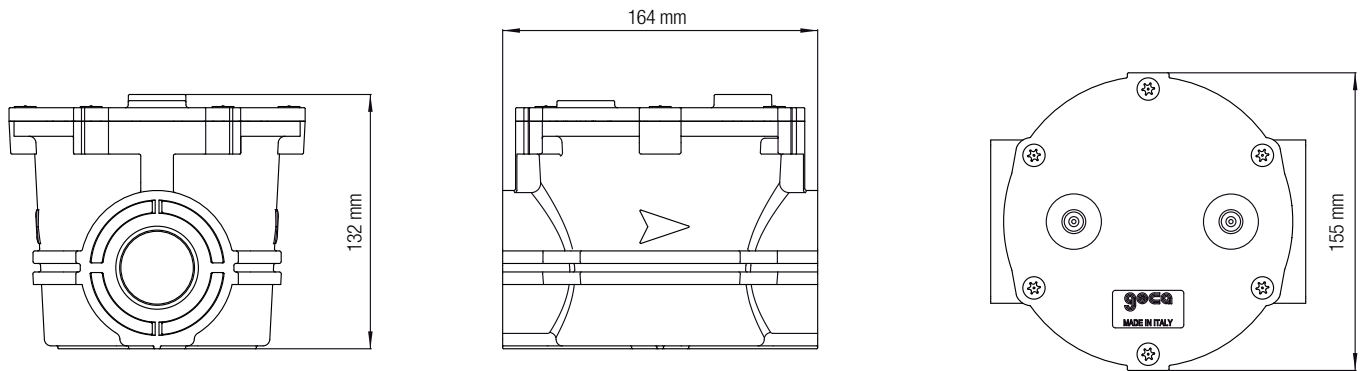
- Peters plug

- Manometer

- DP clogging indicator



- 1** Test point connection
- 2** Seal O ring
- 3** Filter cartridge
- 4** Body
- 5** Cover



Dimension	1 ¼"	1 ½"	2"
WEIGHT (kgs)	1,63	1,55	1,45

**GAS FILTER DN65 – DN80 – DN100 – Pmax 6 bar**



Code	Description	Dimension	Pmax
<b>GFD65</b>	Gas filter	DN65	6 bar
<b>GFD80</b>	Gas filter	DN80	6 bar
<b>GFD100</b>	Gas filter	DN100	6 bar
<b>GFD65-TPIO</b>	Gas filter with test point in/out	DN65	6 bar
<b>GFD80-TPIO</b>	Gas filter with test point in/out	DN80	6 bar
<b>GFD100-TPIO</b>	Gas filter with test point in/out	DN100	6 bar
<b>GFD65-SP</b>	Gas filter with screw plugs	DN65	6 bar
<b>GFD80-SP</b>	Gas filter with screw plugs	DN80	6 bar
<b>GFD100-SP</b>	Gas filter with screw plugs	DN100	6 bar

**TECHNICAL FEATURES**

<b>Operation maximum pressure</b>	6 bar / available version 10 bar
<b>Working Temperature</b>	- 20 °C – + 60 °C
<b>Filtration</b>	50 Micron
<b>Use</b>	Non – aggressive gases – Family 1 – 2 – 3 and air
<b>Cartridge element</b>	Viledon cartridge
<b>Connection</b>	Flanged PN16 – DN65 – DN80 – DN100
<b>Complete Body</b>	Die – Cast Aluminium Gd – AISI12Cu – ENAB46100
<b>Seals</b>	NBR
<b>Approval</b>	PED / EAC

**Optional:**

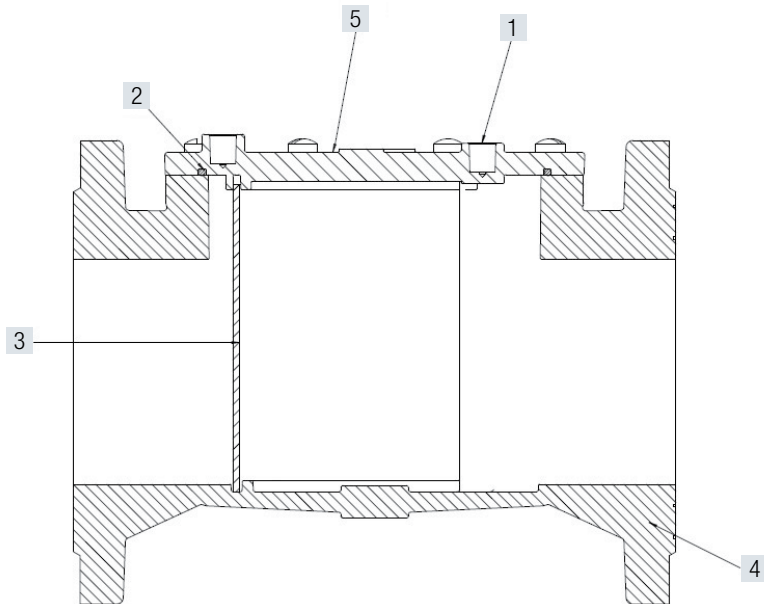
- Test point – NPT ¼"

- Screw – NPT ¼"

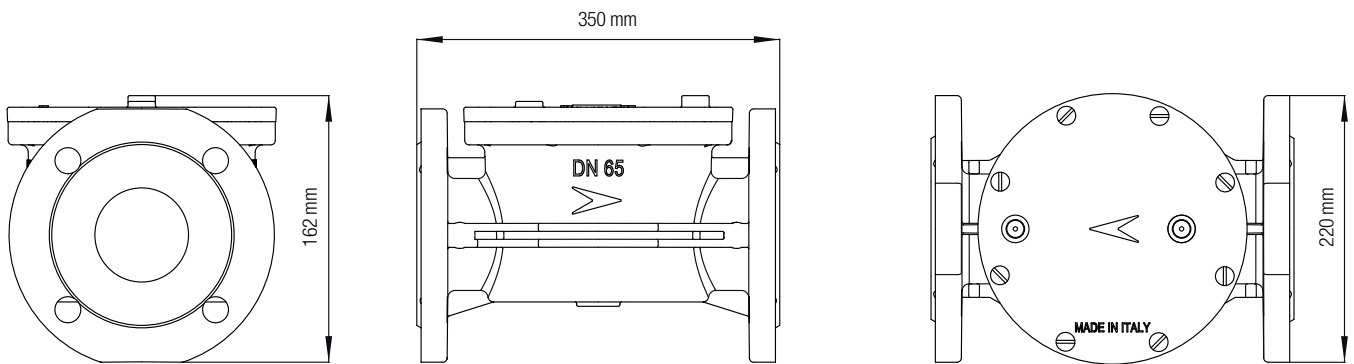
- Peters plug

- Manometer

- DP clogging indicator



- 1 Test point connection
- 2 Seal O ring
- 3 Filter cartridge
- 4 Body
- 5 Cover



Dimension	DN65	DN80	DN100
WEIGHT (kgs)	7,90	7,80	6,80

**GAS FILTER DN125 – DN150 – Pmax 6 bar**



Code	Description	Dimension	Pmax
<b>GFD125</b>	Gas filter	DN125	6 bar
<b>GFD150</b>	Gas filter	DN150	6 bar
<b>GFD125-TPIO</b>	Gas filter with test point in/out	DN125	6 bar
<b>GFD150-TPIO</b>	Gas filter with test point in/out	DN150	6 bar
<b>GFD125-SP</b>	Gas filter with screw plugs	DN125	6 bar
<b>GFD150-SP</b>	Gas filter with screw plugs	DN150	6 bar

**TECHNICAL FEATURES**

<b>Operation maximum pressure</b>	6 bar
<b>Working Temperature</b>	- 20 °C – + 60 °C
<b>Filtration</b>	50 Micron
<b>Use</b>	Non – aggressive gases – Family 1 – 2 – 3 and air
<b>Cartridge element</b>	Viledon cartridge
<b>Connection</b>	Flanged PN16 – DN125 – DN150
<b>Complete Body</b>	Aluminium EN AC 43100
<b>Seals</b>	NBR
<b>Approval</b>	PED / EAC

**Optional:**

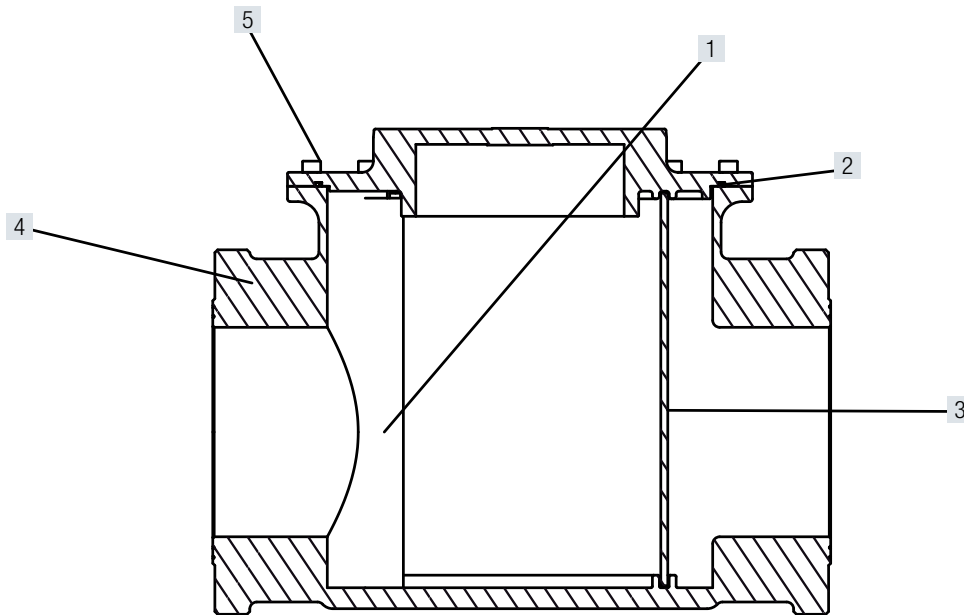
- Test point – NPT ¼"

- Screw – NPT ¼"

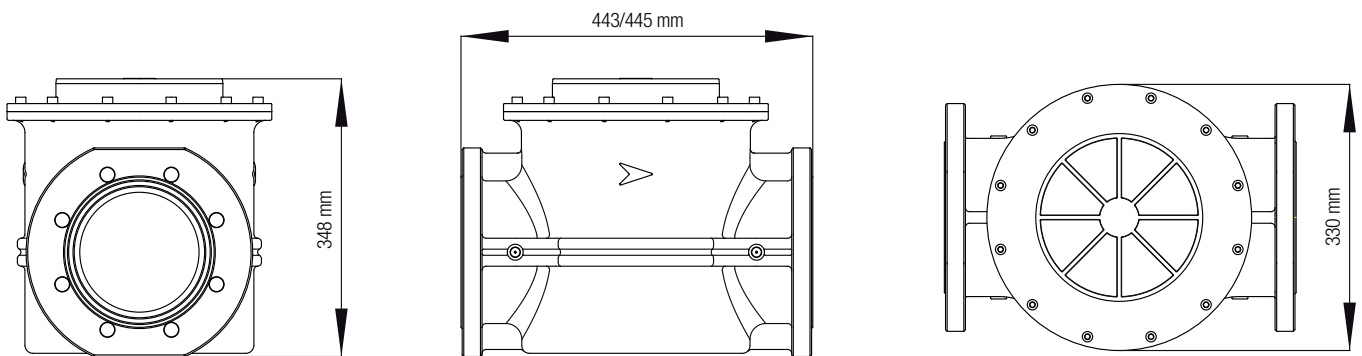
- Peters plug

- Manometer

- DP clogging indicator

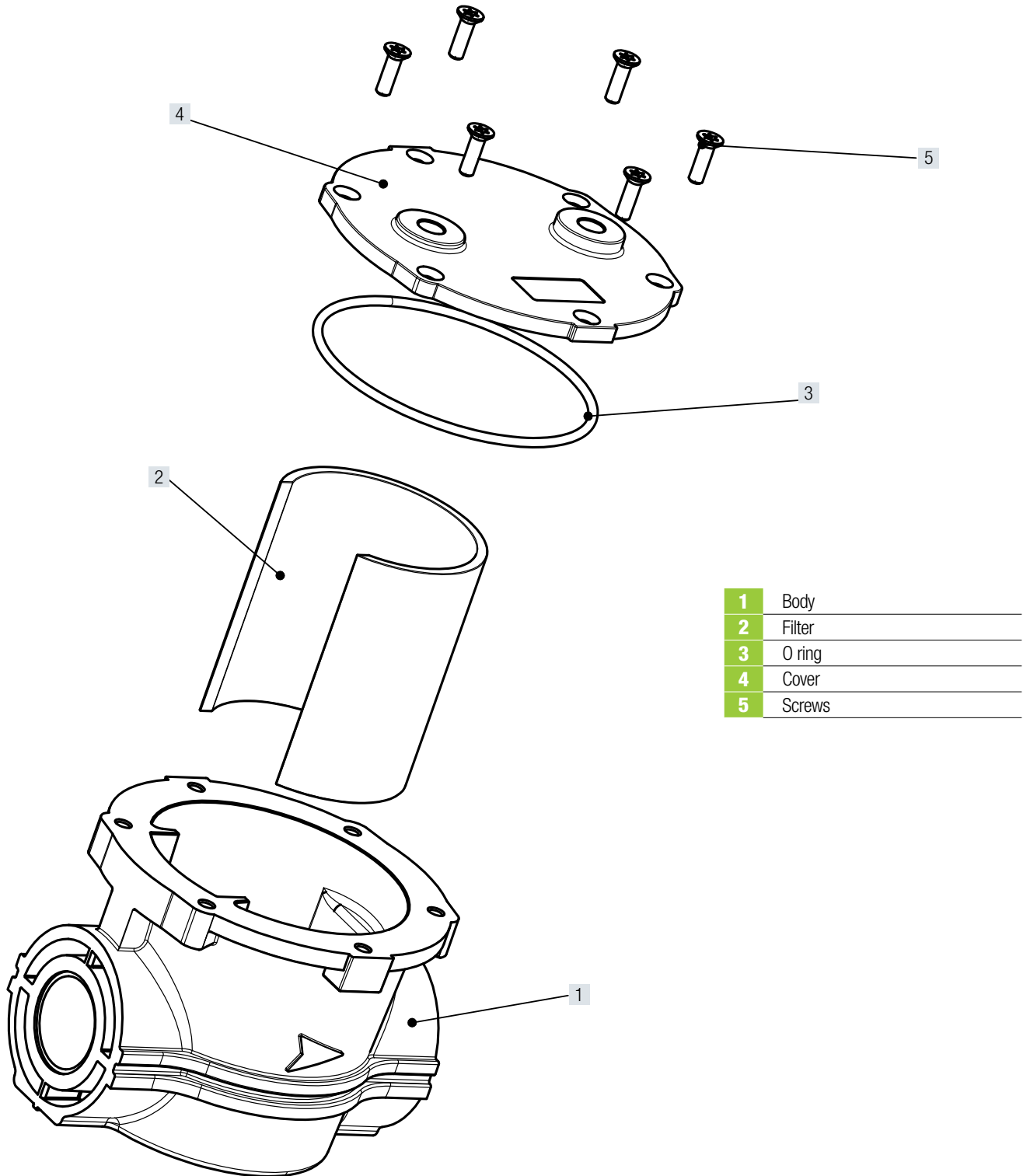


- 1** Test point connection
- 2** Seal O ring
- 3** Filter cartridge
- 4** Body
- 5** Cover



Dimension	DN125	DN150
WEIGHT (kgs)	23	21

ASSEMBLY OVERVIEW



- |   |        |
|---|--------|
| 1 | Body   |
| 2 | Filter |
| 3 | O ring |
| 4 | Cover  |
| 5 | Screws |



## CODE DESCRIPTION

### GFD050-TPIO-10B



① GF=GAS FILTER

② CONNECTION:

=Threaded  
D= Flanged

④ OPTIONAL:

SP= Screw Plugs  
TPIO=Test Point IN/OUT

⑤ BAR:

= 6bar  
-10B= 10bar

③ DIMENSIONS:

015SC =1/2" (Small Capacity)

020SC =3/4" (Small Capacity)

025SC = 1" (Small Capacity)

015 = 1/2"

020 = 3/4"

025= 1"

25= DN25

032= 1 1/4"

32= DN32

040= 1 1/2"

40= DN40

050= 2"

50= DN50

65= DN65

80 = DN80

100= DN100

125= DN125

150= DN150

## PACKING DIMENSION

Code	Packaging Dimension (LxWxH) cm	Weight dimension (Kg)	Packaging
GF015SC – GF020SC – GF025SC	29,5x41x14	11,6	46 units
GF015 – GF020 – GF025	65x26x17	9,4	10 units
GF032 – GF040 – GF050	17x16x16,5	2	1 unit
GFD32 – GFD40 – GFD50	23,5x28,5x25	4,4	1 unit
GFD65 – GFD80	23,5x28,5x25	8,1	1 unit
GFD100	23,5x28,5x25	7,1	1 unit
GFD125	46x36x55	21,5	1 unit
GFD150	46x36x55	23,5	1 unit

**GAS FILTER Standard version**



Code	Description	Dimension	Pmax
<b>GF015</b>	Gas filter	½"	6 bar
<b>GF020</b>	Gas filter	¾"	6 bar
<b>GF025</b>	Gas filter	1"	6 bar
<b>GFD25</b>	Gas filter	DN25	6 bar

Code	Description	Dimension	Pmax
<b>GF032</b>	Gas filter	1 ¼"	6 bar
<b>GF040</b>	Gas filter	1 ½"	6 bar
<b>GF050</b>	Gas filter	2"	6 bar
<b>GFD32</b>	Gas filter	DN32	6 bar
<b>GFD40</b>	Gas filter	DN40	6 bar
<b>GFD50</b>	Gas filter	DN50	6 bar

Code	Description	Dimension	Pmax
<b>GFD65</b>	Gas filter	DN65	6 bar
<b>GFD80</b>	Gas filter	DN80	6 bar
<b>GFD100</b>	Gas filter	DN100	6 bar

Code	Description	Dimension	Pmax
<b>GFD125</b>	Gas filter	DN125	6 bar
<b>GFD150</b>	Gas filter	DN150	6 bar

## GAS FILTER Test Point Inlet / Outlet version - TPIO



Code	Description	Dimension	Pmax
<b>GF015-TPIO</b>	Gas filter with test point in/out	½"	6 bar
<b>GF020-TPIO</b>	Gas filter with test point in/out	¾"	6 bar
<b>GF025-TPIO</b>	Gas filter with test point in/out	1"	6 bar
<b>GFD25-TPIO</b>	Gas filter with test point in/out	DN25	6 bar

Code	Description	Dimension	Pmax
<b>GF032-TPIO</b>	Gas filter with test point in/out	1 ¼"	6 bar
<b>GF040-TPIO</b>	Gas filter with test point in/out	1 ½"	6 bar
<b>GF050-TPIO</b>	Gas filter with test point in/out	2"	6 bar
<b>GFD32-TPIO</b>	Gas filter with test point in/out	DN32	6 bar
<b>GFD40-TPIO</b>	Gas filter with test point in/out	DN40	6 bar
<b>GFD50-TPIO</b>	Gas filter with test point in/out	DN50	6 bar

Code	Description	Dimension	Pmax
<b>GFD65-TPIO</b>	Gas filter with test point in/out	DN65	6 bar
<b>GFD80-TPIO</b>	Gas filter with test point in/out	DN80	6 bar
<b>GFD100-TPIO</b>	Gas filter with test point in/out	DN100	6 bar

Code	Description	Dimension	Pmax
<b>GFD125-TPIO</b>	Gas filter with test point in/out	DN125	6 bar
<b>GFD150-TPIO</b>	Gas filter with test point in/out	DN150	6 bar

**GAS FILTER Screw plugs version - SP**



Code	Description	Dimension	Pmax
<b>GF015-SP</b>	Gas filter with screw plugs	½"	6 bar
<b>GF020-SP</b>	Gas filter with screw plugs	¾"	6 bar
<b>GF025-SP</b>	Gas filter with screw plugs	1"	6 bar
<b>GFD25-SP</b>	Gas filter with screw plugs	DN25	6 bar

Code	Description	Dimension	Pmax
<b>GF032-SP</b>	Gas filter with screw plugs	1 ¼"	6 bar
<b>GF040-SP</b>	Gas filter with screw plugs	1 ½"	6 bar
<b>GF050-SP</b>	Gas filter with screw plugs	2"	6 bar
<b>GFD32-SP</b>	Gas filter with screw plugs	DN32	6 bar
<b>GFD40-SP</b>	Gas filter with screw plugs	DN40	6 bar
<b>GFD50-SP</b>	Gas filter with screw plugs	DN50	6 bar

Code	Description	Dimension	Pmax
<b>GFD65-SP</b>	Gas filter with screw plugs	DN65	6 bar
<b>GFD80-SP</b>	Gas filter with screw plugs	DN80	6 bar
<b>GFD100-SP</b>	Gas filter with screw plugs	DN100	6 bar

Code	Description	Dimension	Pmax
<b>GFD125-SP</b>	Gas filter with screw plugs	DN125	6 bar
<b>GFD150-SP</b>	Gas filter with screw plugs	DN150	6 bar

## GAS FILTER Peterson plugs version - PP



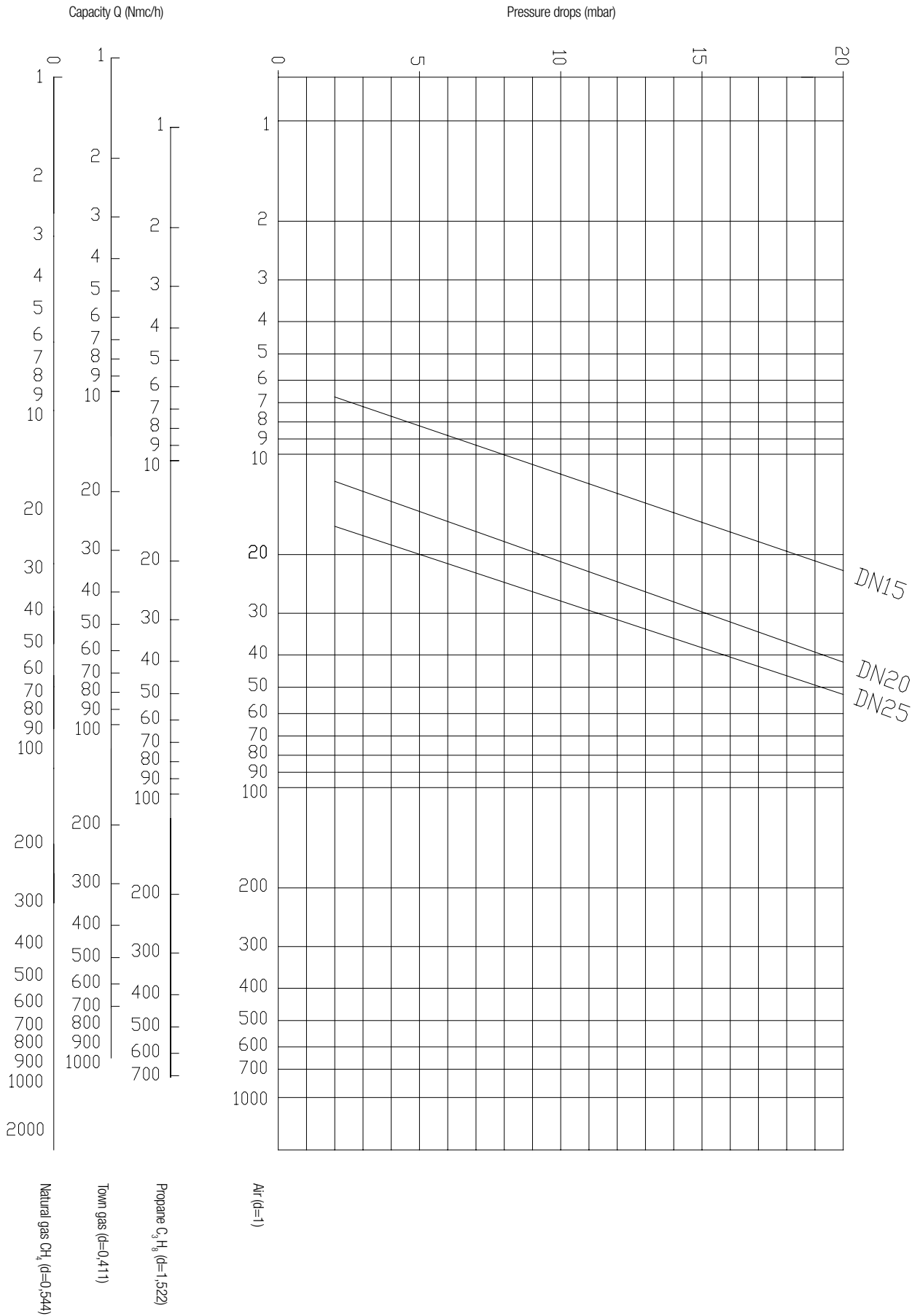
Code	Description	Dimension	Pmax
<b>GF015-PP</b>	Gas filter with Peterson Plug	½"	6 bar
<b>GF020-PP</b>	Gas filter with Peterson Plug	¾"	6 bar
<b>GF025-PP</b>	Gas filter with Peterson Plug	1"	6 bar
<b>GF025-PP</b>	Gas filter with Peterson Plug	DN25	6 bar

Code	Description	Dimension	Pmax
<b>GF032-PP</b>	Gas filter with Peterson Plug	1 ¼"	6 bar
<b>GF040-PP</b>	Gas filter with Peterson Plug	1 ½"	6 bar
<b>GF050-PP</b>	Gas filter with Peterson Plug	2"	6 bar
<b>GFD32-PP</b>	Gas filter with Peterson Plug	DN32	6 bar
<b>GFD40-PP</b>	Gas filter with Peterson Plug	DN40	6 bar
<b>GFD50-PP</b>	Gas filter with Peterson Plug	DN50	6 bar

Code	Description	Dimension	Pmax
<b>GFD65-PP</b>	Gas filter with Peterson Plug	DN65	6 bar
<b>GFD80-PP</b>	Gas filter with Peterson Plug	DN80	6 bar
<b>GFD100-PP</b>	Gas filter with Peterson Plug	DN100	6 bar

Code	Description	Dimension	Pmax
<b>GFD125-PP</b>	Gas filter with Peterson Plug	DN125	6 bar
<b>GFD150-PP</b>	Gas filter with Peterson Plug	DN150	6 bar

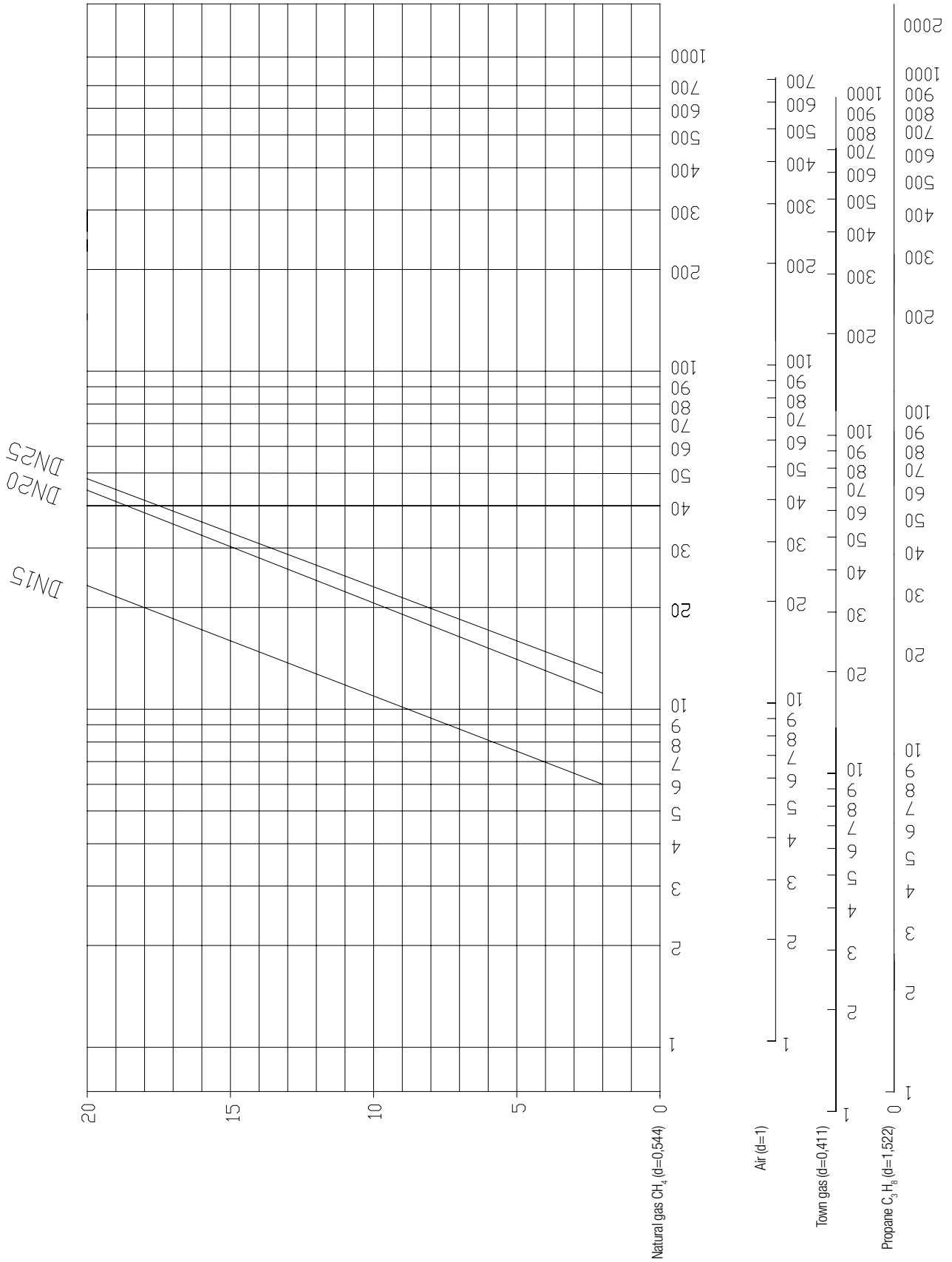
**GAS FILTER SC 1/2", 3/4", 1"**



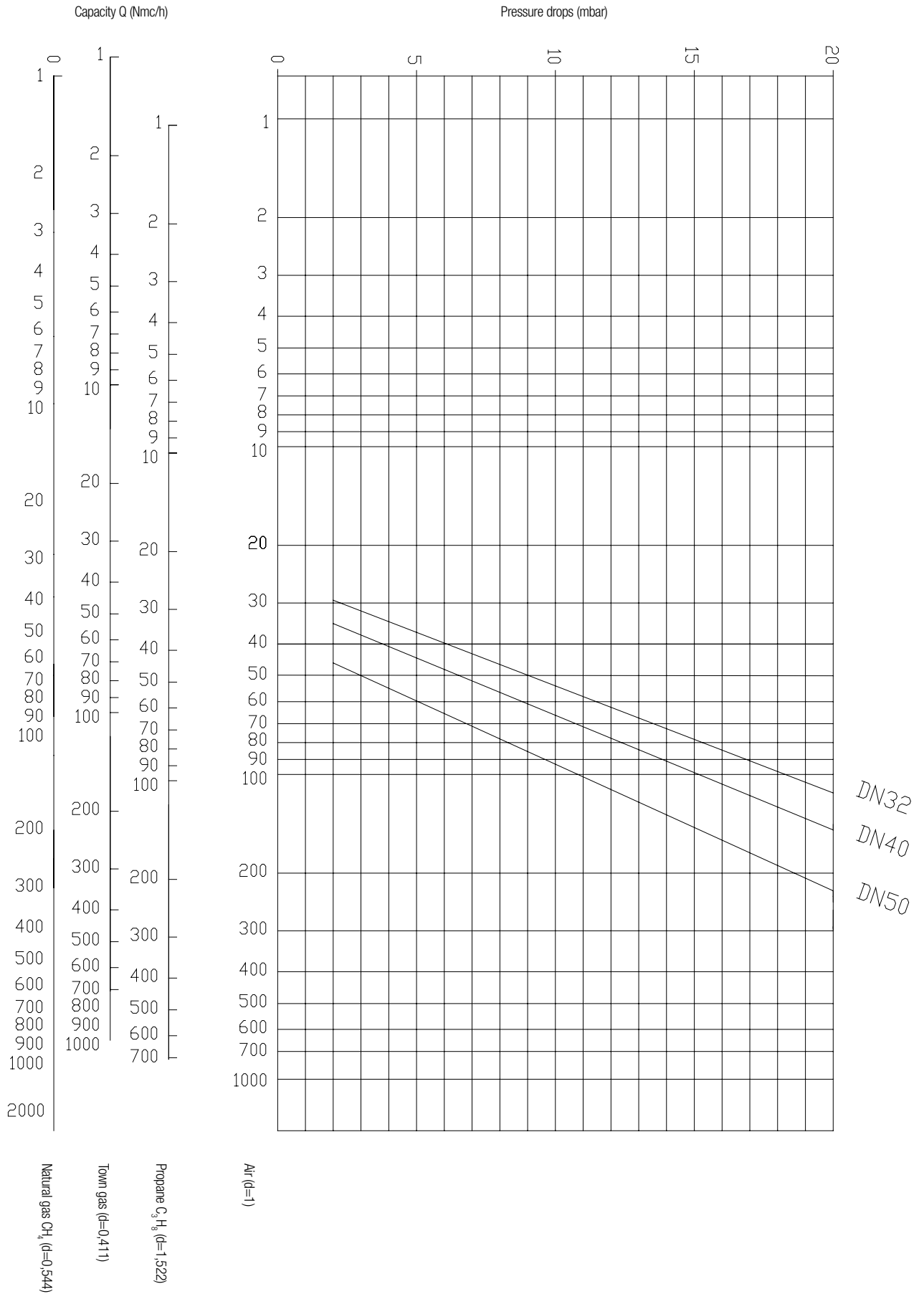
# GAS FILTER 1/2", 3/4", 1"

Pressure drops (mbar)

Capacity Q (Nmc/h)

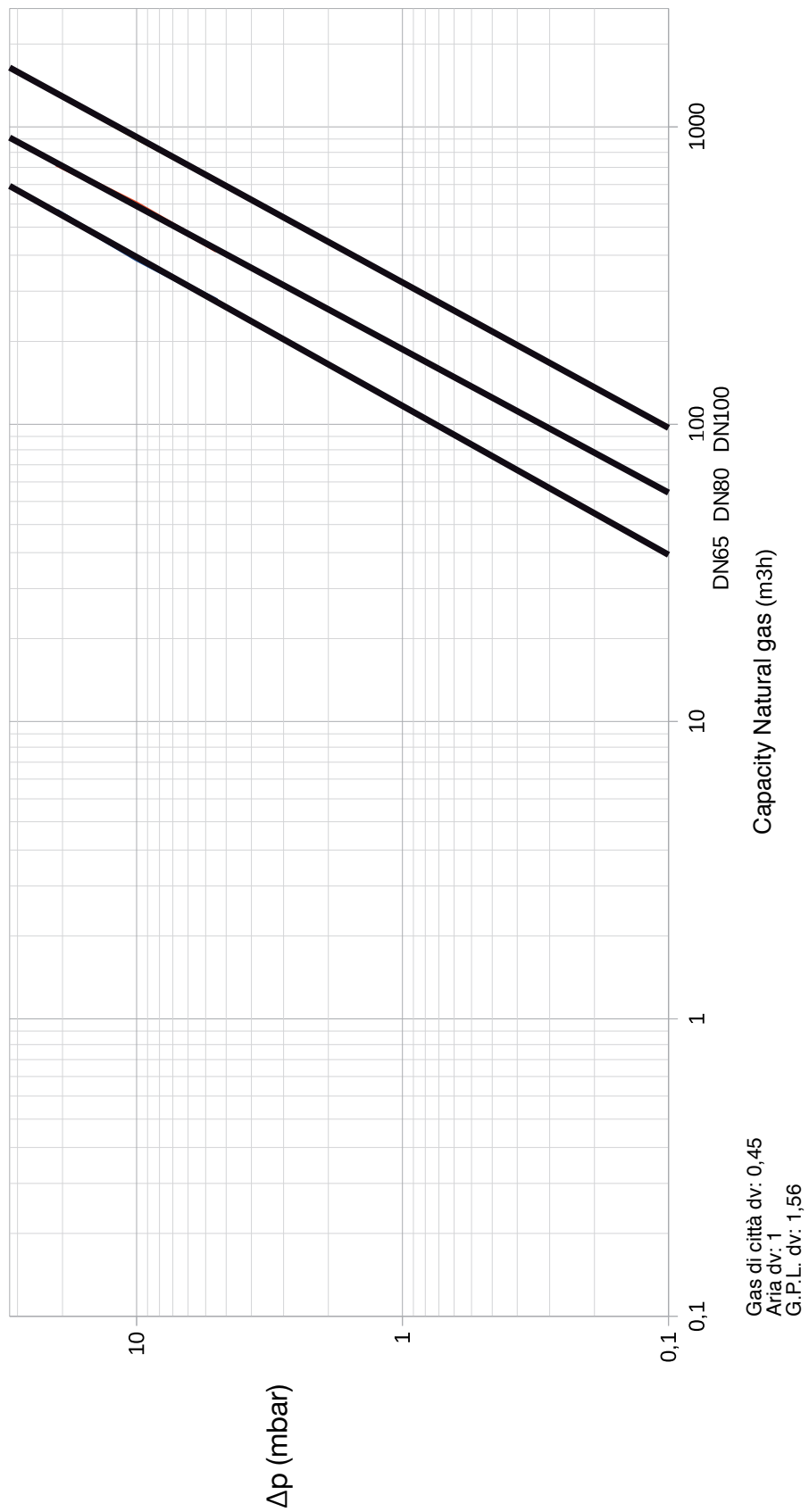


**GAS FILTER 1 ¼", 1 ½", 2"**

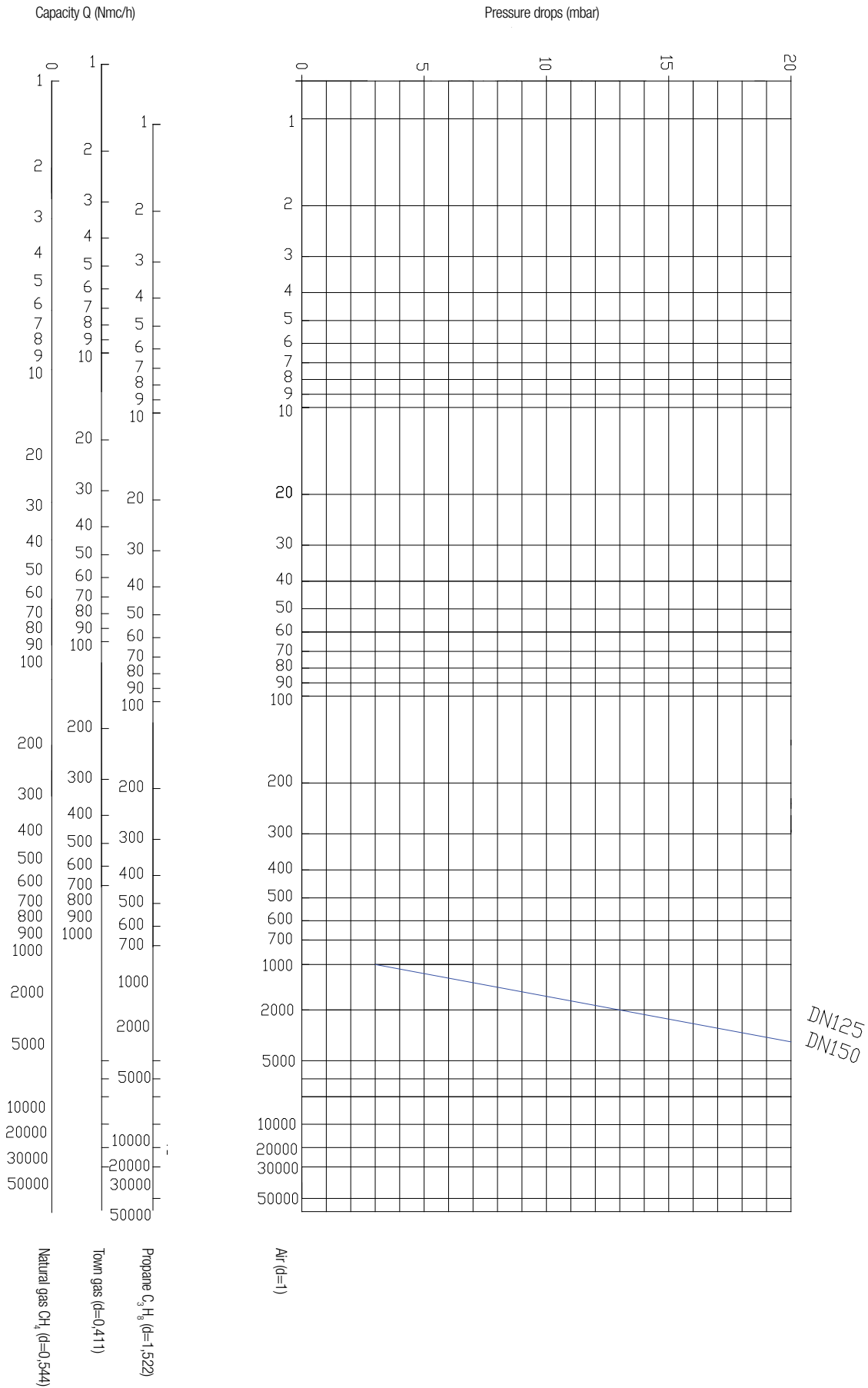




## GAS FILTER DN65, DN80, DN100



**GAS FILTER DN125 -DN150**



## DP CLOGGING INDICATOR



### DP CLOGGING INDICATOR

Code	Description	Connection	Range
<b>DPI-150</b>	Aluminium body - PN20	¼"	0 – 150 mbar
<b>DPI-300</b>	Aluminium body - PN20	¼"	0 – 300 mbar
<b>DPI-600</b>	Aluminium body – PN20	¼"	0 – 600 mbar
<b>DPI-1000</b>	Aluminium body – PN20	¼"	0 – 1000 mbar

### DP CLOGGING INDICATOR with reed switch.

Code	Description	Connection	Range
<b>DPI-150-RS</b>	Aluminium body - PN20	¼"	0 – 150 mbar
<b>DPI-300-RS</b>	Aluminium body - PN20	¼"	0 – 300 mbar
<b>DPI-600-RS</b>	Aluminium body – PN20	¼"	0 – 600 mbar
<b>DPI-1000-RS</b>	Aluminium body – PN20	¼"	0 – 1000 mbar

## FILTER CARTRIDGE



Our filter cartridge is in Viledon with Metallic grid and textile filter element

### FILTER CARTRIDGE

Code	Description	Model
<b>FC – 1</b>	Filter cartridge 50 µm	GF015SC - GF020SC - GF025SC
<b>FC – 2</b>	Filter cartridge 50µm	GF015 - GF020 - GF025 –GFD25
<b>FC – 3</b>	Filter cartridge 50 µm	GF032 - GF040 - GF050 –GFD version
<b>FC – 4</b>	Filter cartridge 50 µm	GFD65 – GFD80
<b>FC – 5</b>	Filter cartridge 50 µm	GFD100
<b>FC – 6</b>	Filter cartridge 50 µm	GFD125 – GFD150

## *Automatic gas valve - Brass Body*

» Automatic gas solenoid valves are used for safety and control of gas for shut-off in gas feed pipes. Suitable for various gasses, including Natural gas, Propane and LPG Gas solenoid valve normally closed solenoid that open automatically when the coil is powered and close automatically when there is no tension.



# Automatic gas valve - Brass Body

AUTOMATIC GAS SOLENOID VALVE 1/2", 3/4"  
BRASS BODY - PMAX 200 MBAR

---

p. 126

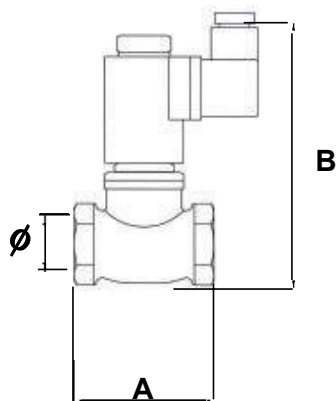


Automatic gas solenoid valve 1/2", 3/4" - Brass Body - pmax 200 mbar



Type	Connections	Flow (m³/h)	Max pressure
AV015	1/2"	4,5	200 mbar
AV020	3/4"	6	200 mbar

DIMENSIONS (mm) and WEIGHT (kgs)			
Dimension	A	B	Ø
AV015	59	107	DN15 - 1/2"
AV020	59	107	DN20 - 3/4"



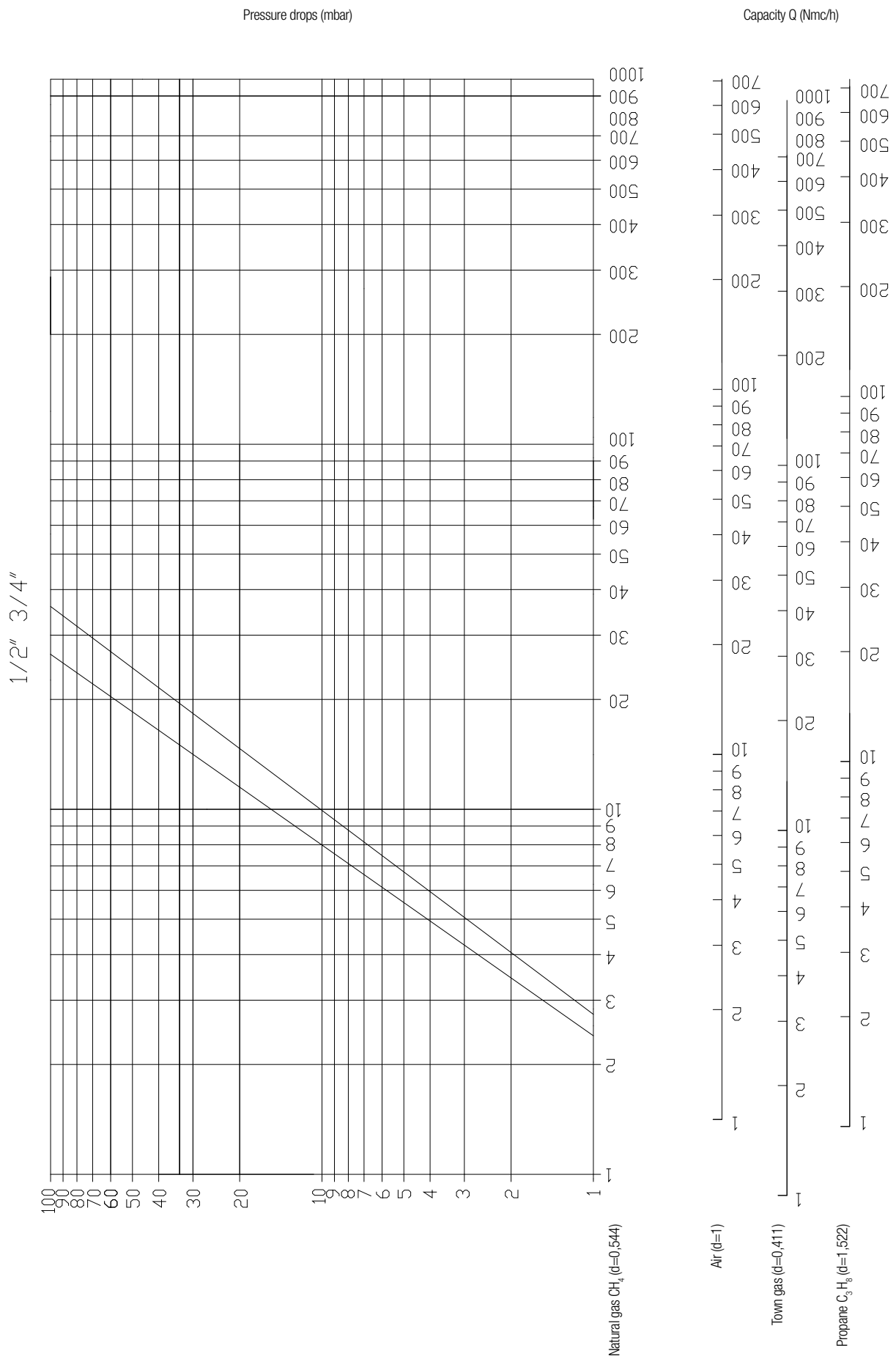
Dimension	1/2"	3/4"
WEIGHT (kgs)	0,8	0,8

TECHNICAL FEATURES

<b>Pmax</b>	200 mbar
<b>Inlet connection - outlet</b>	Thread gas 1/2" 3/4" and 1" - ISO 228
<b>Opening time</b>	<1 second
<b>Closing time</b>	<1 second
<b>Max number of operations</b>	30 per minute
<b>Supply voltage</b>	230V (-15%+10%) 50-60Hz 110V (-15%+10%) 50-60Hz 24Vdc (-15%+10%) 50-60Hz
<b>Power</b>	15 VA Coils to class F copper wire class H
<b>Use</b>	Non – aggressive gases – Family 1 – 2 – 3 and air
<b>Working Temperature</b>	- 20 °C – 60 °C
<b>Approval</b>	EN161 / PED / EAC
<b>Protection degree</b>	IP65

Materials:

<b>Complete Body</b>	Brass ST-CW617N – EN 12420 – Yellow Painted
----------------------	---



## *Automatic Gas Valves - Pmax 360 mbar*

» Automatic gas solenoid valves are used for safety and control of gas for shut-off in gas feed pipes. Suitable for various gasses, including Natural gas, Propane and LPG Gas solenoid valve normally closed solenoid that open automatically when the coil is powered and close automatically when there is no tension.





# Automatic Gas Valves

**AUTOMATIC GAS VALVES Fast Opening / Fast Closing** p. 130  
1/2", 3/4" and 1" – Pmax 360 mbar

---

**AUTOMATIC GAS VALVES - HIGH CAPACITY** p. 132  
Fast Opening / Fast Closing 1/2", 3/4" and 1"  
Pmax 360 Mbar

---

**AUTOMATIC GAS VALVES Fast Opening / Fast Closing** p. 134  
1 1/4", 1 1/2" and 2" – Pmax 360 mbar

---

**AUTOMATIC GAS VALVES Fast Opening / Fast Closing** p. 136  
Coil encapsulated with fibre-glass reinforced  
polyamide 1 1/4", 1 1/2" – Pmax 360 mbar

---

**AUTOMATIC GAS VALVES Fast Opening / Fast Closing** p. 138  
DN65, DN80, DN100 – Pmax 360 mbar

---



## AUTOMATIC GAS VALVES Fast Opening / Fast Closing 1/2", 3/4" and 1" – Pmax 360 mbar



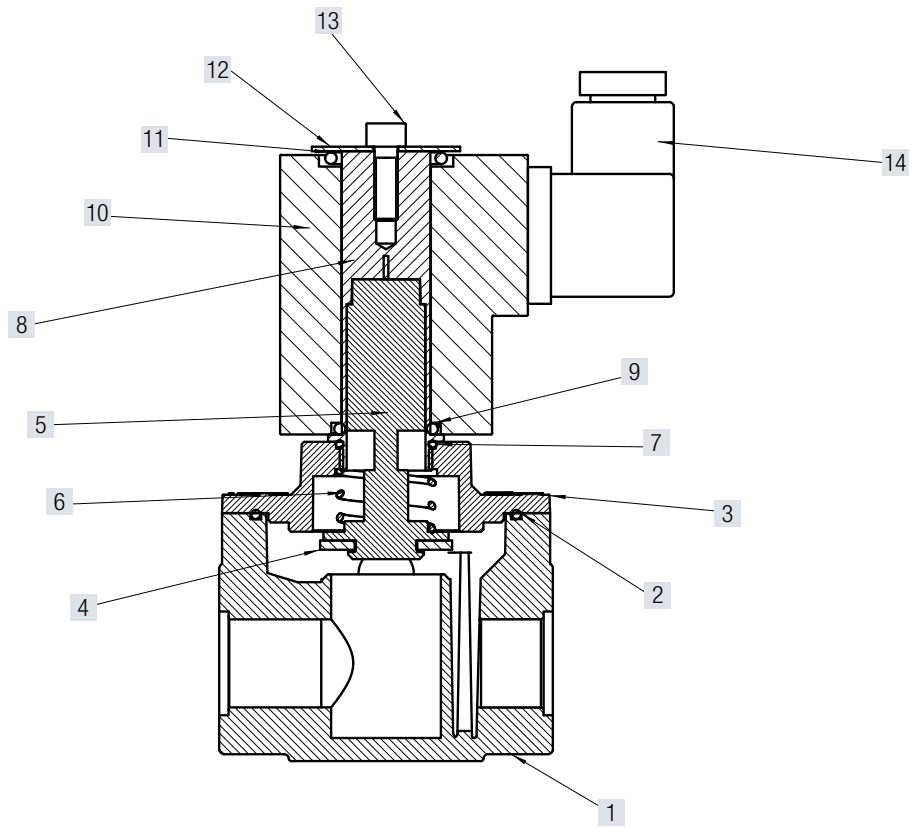
Code	Description	Dimension	Pmax
AV015FO	Gas valve fast opening	1/2"	360 mbar
AV020FO	Gas valve fast opening	3/4"	360 mbar
AV025FO	Gas valve fast opening	1"	360 mbar
AVD25FO	Gas valve fast opening	DN25	360 mbar
AV015FO-FR	Gas valve fast opening Flow regulation	1/2"	360 mbar
AV020FO-FR	Gas valve fast opening Flow regulation	3/4"	360 mbar
AV025FO-FR	Gas valve fast opening Flow regulation	1"	360 mbar
AVD25FO-FR	Gas valve fast opening Flow regulation	DN25	360 mbar
CPI-1	Control position indicator		

### TECHNICAL FEATURES

<b>Pmax</b>	360 mbar
<b>Inlet connection - outlet</b>	Thread gas 1/2" 3/4" and 1" - ISO 228 DN25 - Sliding Aluminium flange PN10
<b>Opening time</b>	<1 second
<b>Closing time</b>	<1 second
<b>Max number of operations</b>	20 per minute
Incorporated AISI 303 steel mesh filter on request	
<b>Supply voltage</b>	230V (-15%+10%) 50-60Hz 110V (-15%+10%) 50-60Hz 24Vdc (-15%+10%) 50-60Hz
<b>Power</b>	15 VA Coils to class F copper wire class H
<b>Use</b>	Non – aggressive gases – Family 1 – 2 – 3 and air
<b>Test point</b>	2 connections - options 3 connections Screw 1/4"
<b>Working Temperature</b>	- 20 °C – 60 °C
<b>Approval</b>	EN161 / PED / EAC
<b>Protection degree</b>	IP65

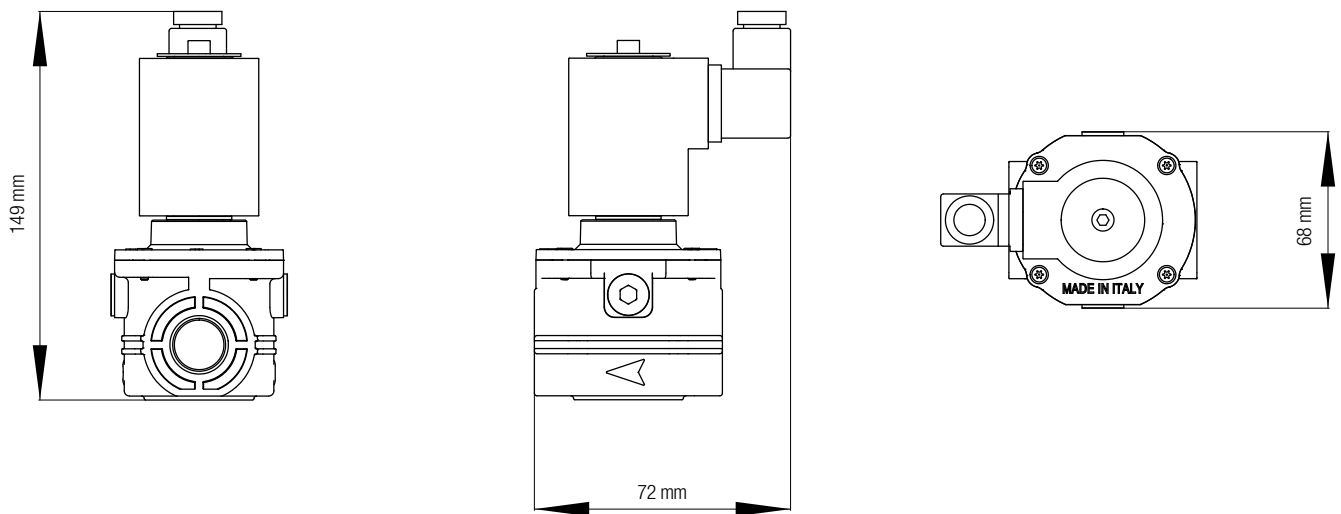
### Materials:

<b>Complete Body</b>	Die – Cast Aluminium Gd – AISI12Cu - EN AB 46100
----------------------	--



1	Body
2	O-Ring
3	Cover
4	Gasket
5	Plunger
6	Spring
7	O-Ring
8	Pilot

9	O-Ring
10	Coil
11	O-Ring
12	Washer
13	Screw
14	Connector



Dimension	1/2"	3/4"	1"
WEIGHT (kgs)	0,8	0,8	0,8

## AUTOMATIC GAS VALVES - High Capacity - Fast Opening / Fast Closing

½", ¾", 1" - Pmax 360 Mbar



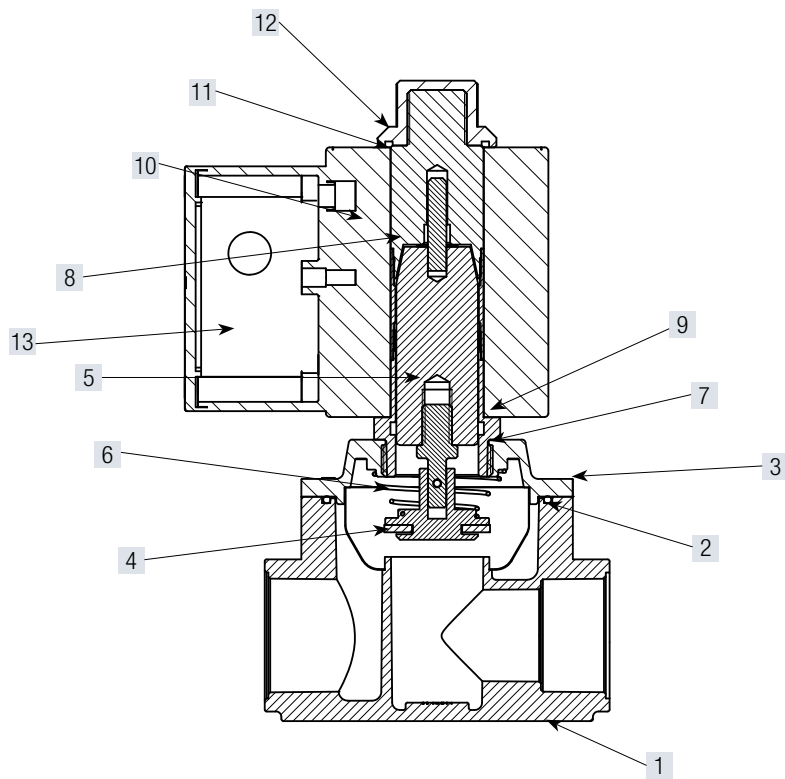
Code	Description	Dimension	Pmax
AV015FO-HC	Gas valve fast opening	½"	360 mbar
AV020FO-HC	Gas valve fast opening	¾"	360 mbar
AV025FO-HC	Gas valve fast opening	1"	360 mbar
AVD25FO-HC	Gas valve fast opening	DN25	360 mbar
AV015FO-FR-HC	Gas valve fast opening Flow regulation	½"	360 mbar
AV020FO-FR-HC	Gas valve fast opening Flow regulation	¾"	360 mbar
AV025FO-FR-HC	Gas valve fast opening Flow regulation	1"	360 mbar
AVD25FO-FR-HC	Gas valve fast opening Flow regulation	DN25	360 mbar
CPI-1-HC	Control position indicator		

### TECHNICAL FEATURES

<b>Pmax</b>	360 mbar
<b>Inlet connection - outlet</b>	Thread gas ½" ¾" and 1" - ISO 228 DN25 - Sliding Aluminium flange PN10
<b>Opening time</b>	<1 second
<b>Closing time</b>	<1 second
<b>Max number of operations</b>	20 per minute
Incorporated AISI 303 steel mesh filter on request	
<b>Supply voltage</b>	230V (-15%+10%) 50-60Hz 110V (-15%+10%) 50-60Hz 24Vdc (-15%+10%) 50-60Hz
<b>Power</b>	25W Coils to class F copper wire class H
<b>Use</b>	Non - aggressive gases - Family 1 - 2 - 3 and air
<b>Test point</b>	3 connections options 5 connections Screw ¼"
<b>Working Temperature</b>	- 20 °C - 60 °C
<b>Approval</b>	EN161 / PED / EAC
<b>Protection degree</b>	IP65

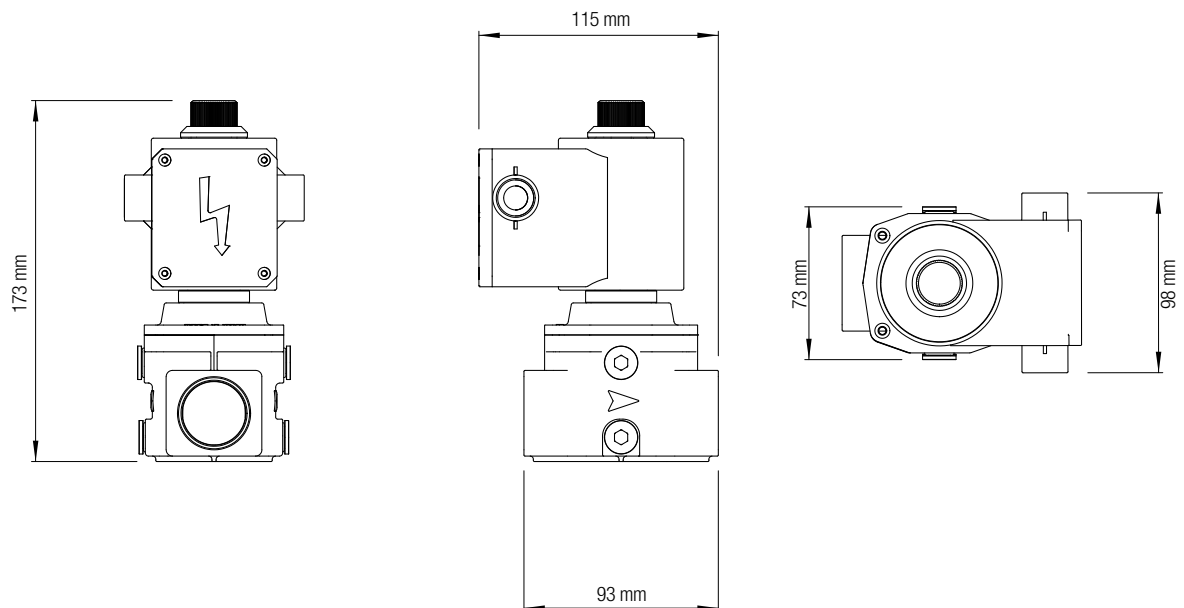
### Materials:

<b>Complete Body</b>	Die - Cast Aluminium Gd - AISI12Cu - EN AB 46100
----------------------	--



1	Body
2	O-Ring
3	Cover
4	Gasket
5	Plunger
6	Spring
7	O-Ring
8	Pilot

9	O-Ring
10	Coil
11	O-Ring
12	Locking Ring
13	Connector



Dimension	1/2"	3/4"	1"
WEIGHT (kgs)	2,1	2	1,8

## AUTOMATIC GAS VALVES Fast Opening / Fast Closing 1 ¼", 1 ½" and 2" – Pmax 360 mbar



Code	Description	Dimension	Pmax
AV032FO	Gas valve fast opening	1 ¼"	360 mbar
AV040FO	Gas valve fast opening	1 ½"	360 mbar
AV050FO	Gas valve fast opening	2"	360 mbar
AVD32FO	Gas valve fast opening	DN32	360 mbar
AVD40FO	Gas valve fast opening	DN40	360 mbar
AVD50FO	Gas valve fast opening	DN50	360 mbar

AV032FO-FR	Gas valve fast opening Flow regulation	1 ¼"	360 mbar
AV040FO-FR	Gas valve fast opening Flow regulation	1 ½"	360 mbar
AV050FO-FR	Gas valve fast opening Flow regulation	2"	360 mbar
AVD32FO-FR	Gas valve fast opening Flow regulation	DN32	360 mbar
AVD40FO-FR	Gas valve fast opening Flow regulation	DN40	360 mbar
AVD50FO-FR	Gas valve fast opening Flow regulation	DN50	360 mbar

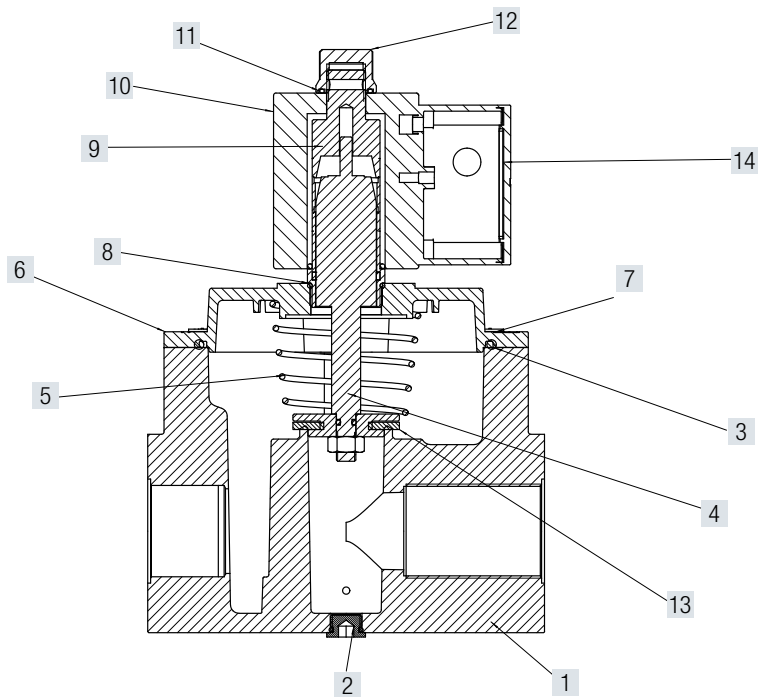
CPI-2	Control position indicator
-------	----------------------------

### TECHNICAL FEATURES

<b>Pmax</b>	360 mbar
<b>Inlet connection</b> <b>-outlet</b>	Thread gas 1 ¼", 1 ½" and 2" - ISO 228 DN32 DN40 DN50 - Sliding Aluminium flange PN10
<b>Opening time</b> <b>Closing time</b>	<1 second <1 second
<b>Max number of operations</b>	20 per minute
Incorporated AISI 303 steel mesh filter on request	
<b>Supply voltage</b>	230V (-15%+10%) 50-60Hz 110V (-15%+10%) 50-60Hz 24Vdc (-15%+10%) 50-60Hz
<b>Power</b>	230Vac1 1/4"-11/2"-PeakPower40W- Maintain power4W 2"-Peakpower130W- Maintain power 1,5W Coils to class F copper wire class H
<b>Use</b>	Non – aggressive gases – Family 1 – 2 – 3 and air
<b>Test point</b>	5 connections Screw ¼"
<b>Working Temperature</b>	- 20 °C – 60 °C
<b>Approval</b>	EN161 / PED / EAC
<b>Protection degree</b>	IP65

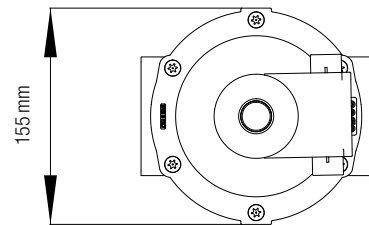
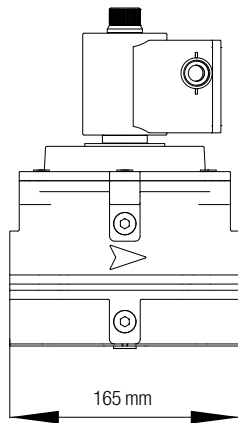
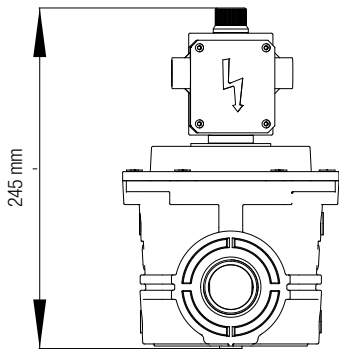
### Materials:

<b>Complete Body</b>	Die – Cast Aluminium Gd – AISi12Cu - EN AB 46100
----------------------	--



1	Body
2	Screw Plugs
3	O-Ring
4	Plunger
5	Spring
6	Cover
7	Screw

8	O-Ring
9	Pilot
10	Coil
11	O-Ring
12	Locking Ring
13	Gasket
14	Connector



Dimension	1 ¼"	1 ½"	2"
WEIGHT (kgs)	4,2	4,2	4,6

**AUTOMATIC GAS VALVES Fast Opening / Fast Closing - Coil encapsulated with fibre-glass reinforced polyamide 1 ¼", 1 ½" – Pmax 360 mbar**



Code	Description	Dimension	Pmax
AV032FO-EC	Gas valve fast opening	1 ¼"	360 mbar
AV040FO-EC	Gas valve fast opening	1 ½"	360 mbar
AVD32FO-EC	Gas valve fast opening	DN32	360 mbar
AVD40FO-EC	Gas valve fast opening	DN40	360 mbar
CPI-2	Control position indicator		

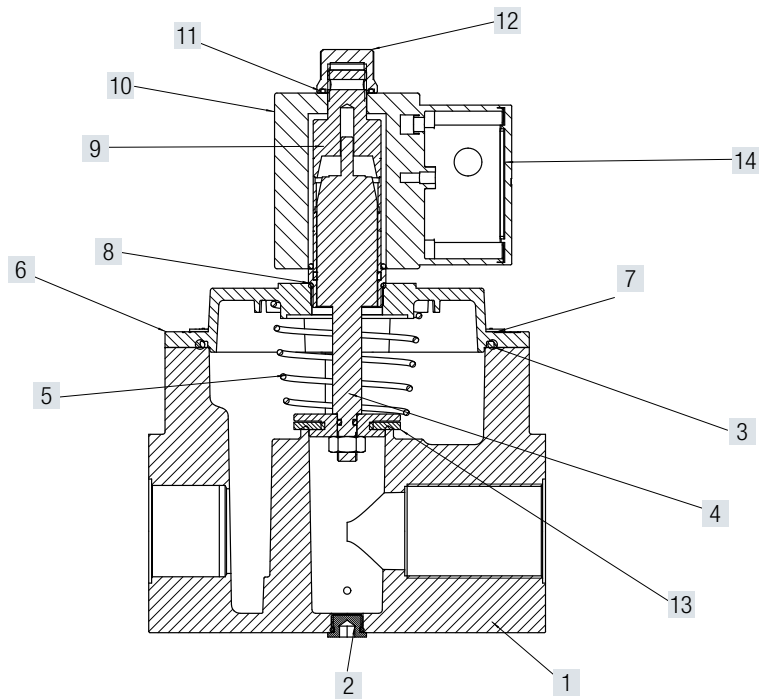
**TECHNICAL FEATURES**

<b>Pmax</b>	360 mbar
<b>Inlet connection</b> <b>-outlet</b>	Thread gas 1 ¼", 1 ½" - ISO 228 DN32 DN40 - Sliding Aluminium flange PN10
<b>Opening time</b> <b>Closing time</b>	<1 second <1 second
<b>Max number of operations</b>	20 per minute
Incorporated AISI 303 steel mesh filter on request	
<b>Supply voltage</b>	230V (-15%+10%) 50-60Hz
<b>Power</b>	37W Coils to class F copper wire class H
<b>Use</b>	Non – aggressive gases – Family 1 – 2 – 3 and air
<b>Test point</b>	5 connections Screw ¼"
<b>Working Temperature</b>	- 20 °C – 60 °C
<b>Approval</b>	EN161 / PED / EAC
<b>Protection degree</b>	IP65

**Materials:**

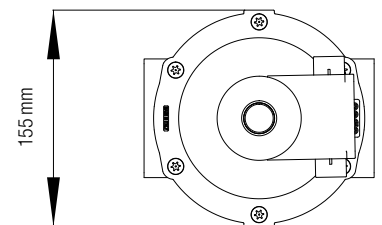
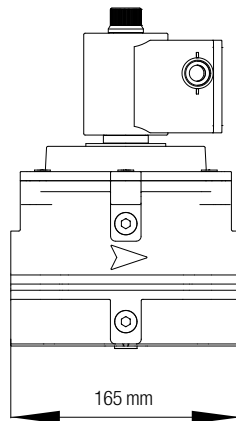
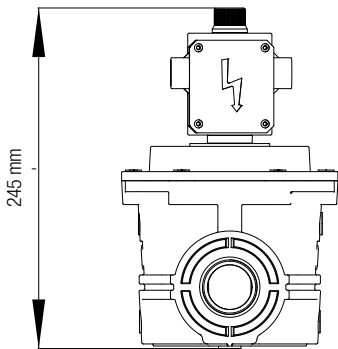
<b>Complete Body</b>	Die – Cast Aluminium Gd – AISI12Cu - EN AB 46100
----------------------	--





1	Body
2	Screw Plugs
3	O-Ring
4	Plunger
5	Spring
6	Cover
7	Screw

8	O-Ring
9	Pilot
10	Coil
11	O-Ring
12	Locking Ring
13	Gasket
14	Connector



Dimension	1 1/4"	1 1/2"
WEIGHT (kgs)	4,0	4,0

## AUTOMATIC GAS VALVES Fast Opening / Fast Closing DN65, DN80, DN100 – Pmax 360 mbar



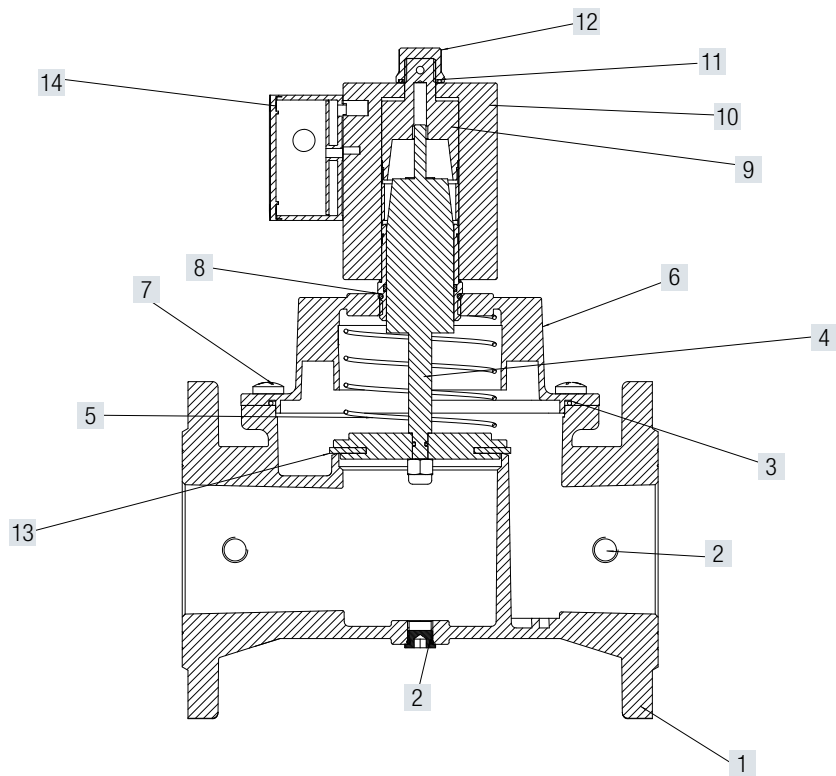
Code	Description	Dimension	Pmax
<b>AVD65FO</b>	Gas valve fast opening	DN65	360 mbar
<b>AVD80FO</b>	Gas valve fast opening	DN80	360 mbar
<b>AVD100FO</b>	Gas valve fast opening	DN100	360 mbar
<b>AVD65FO-FR</b>	Gas valve fast opening Flow regulation	DN65	360 mbar
<b>AVD80FO-FR</b>	Gas valve fast opening Flow regulation	DN80	360 mbar
<b>AVD100FO-FR</b>	Gas valve fast opening Flow regulation	DN100	360 mbar
<b>CPI-3</b>	Control position indicator DN65-DN80		
<b>CPI-4</b>	Control position indicator DN100		

### TECHNICAL FEATURES

<b>Pmax</b>	360 mbar
<b>Inlet connection</b>	Flanged – DN65 – DN80 – DN100 – PN16
<b>Outlet</b>	Flanged – DN65 – DN80 – DN100 – PN16
<b>Opening time</b>	<1 second
<b>Closing time</b>	<1 second
<b>Max number of operations</b>	15 per minute
<b>Incorporated AISI 303 steel mesh filter</b>	
<b>Supply voltage</b>	230V (-15%+10%) 50-60Hz. 110V (-15%+10%) 50-60Hz. 24Vdc (-15%+10%) 50-60Hz
<b>Power</b>	230Vac DN65 - DN80 - DN100 Peak power 400W - Maintain power 4W Coils to class F copper wire class H
<b>Use</b>	Non – aggressive gases – Family 1 – 2 – 3 and air
<b>Test point</b>	5 connections Screw 1/4"
<b>Working Temperature</b>	- 20 °C – 60 °C
<b>Approval</b>	EN161 / PED / EAC
<b>Protection degree</b>	IP65

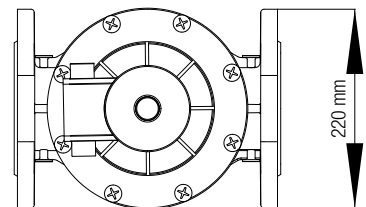
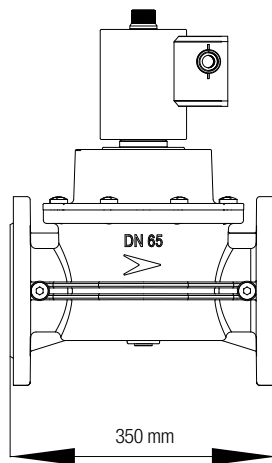
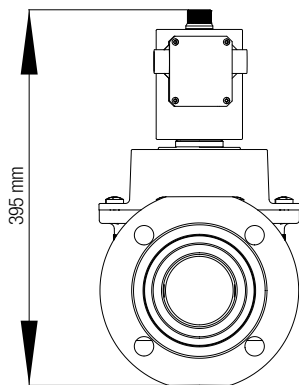
#### Materials:

<b>Complete Body</b>	Aluminium EN AC 43100
----------------------	-----------------------



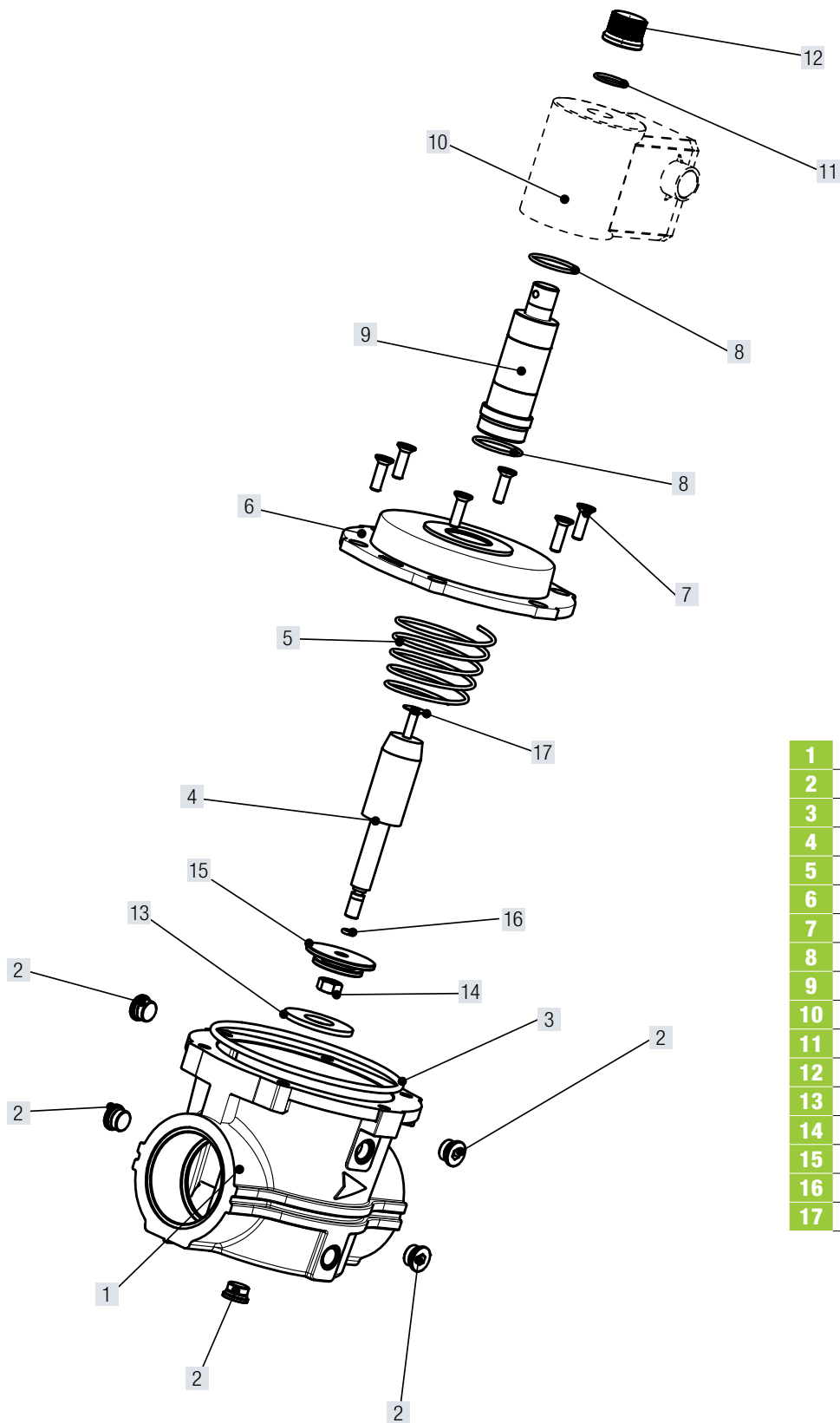
1	Body
2	Screw Plugs
3	O-Ring
4	Plunger
5	Spring
6	Cover
7	Screw

8	O-Ring
9	Pilot
10	Coil
11	O-Ring
12	Locking Ring
13	Gasket
14	Connector



Dimension	DN65	DN80	DN100
WEIGHT (kgs)	9,6	9,6	15,8

ASSEMBLY OVERVIEW



1	Body
2	Screw Plugs
3	O-Ring
4	Plunger
5	Spring
6	Cover
7	Screw
8	O-Ring
9	Pilot
10	Coil
11	O-Ring
12	Locking Ring
13	Gasket
14	Nut
15	Insert
16	O-Ring
17	Washer

## SPARE PARTS – ACCESSORIES

### COIL

Code	Description	Model
20502719	Coil 230 Vac	½" - 3/4" – 1"
80501589	Coil 230 Vac	1 ¼" – 1 ½"
80501590	Coil 230 Vac	2"
80501591	Coil 230 Vac	DN65 – DN80
80501592	Coil 230 Vac	DN100

### ELECTRONIC BOARD

Code	Description	Model
21802429	Electronic board 230 Vac	½" - 3/4" – 1"
81801620	Electronic board - 230 Vac	1 ¼" – 1 ½"
81801621	Electronic board - 230 Vac	2"
81801622	Electronic board - 230 Vac	DN65 – DN80
81801623	Electronic board - 230 Vac	DN100

### COIL – ELECTRONIC BOARD – PLASTIC COVER

Code	Description	Model
80521593	Coil – Electronic board – Plastic cover	1 ¼" – 1 ½"
80521594	Coil – Electronic board – Plastic cover	2"
80521595	Coil – Electronic board – Plastic cover	DN65 – DN80
80521596	Coil – Electronic board – Plastic cover	DN100

### GPI CONTROL POSITION INDICATOR

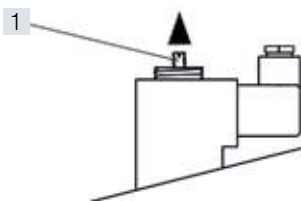
Code	Description	Model
CP1 – 1	Control position indicator	½", ¾", 1"
CP1 – 1HC	Control position indicator	½", ¾", 1", HC
CP1 – 2	Control position indicator	1 ¼", 1 ½", 2"
CP1 – 3	Control position indicator	DN65 – DN80
CP1 – 4	Control position indicator	DN100

## FLOW RATE ADJUSTMENT:

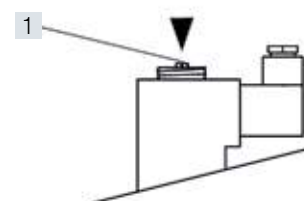
The model FR is possible to adjust the gas flow.  
The flow setting is done by turning the "Regulation shaft" (1)

Remove the "Plastic cap"

To increase the flow unscrew the "Regulation shaft":



To decrease the flow screw the "Regulation shaft":



## INSTALLATION

CONNECTION	HORIZONTAL POSITION	VERTICAL POSITION	OVERTURNED POSITION
from 1/2" to DN100			

## CODE DESCRIPTION

AV015FO-FR-6B-110Vac

1   
 2   
 3   
 4   
 5   
 6

1 Automatic Valves   
 3 FO=Fast Opening   
 5 \_\_\_\_=360mbar  
 -6B =6bar

2 Dimension:  
 015 =1/2"  
 020 =3/4"  
 025= 1"  
 032= 1<sup>1/4</sup>"  
 040= 1<sup>1/2</sup>"  
 050= 2"  
 D65=DN65  
 D80=DN80  
 D100=DN100

4 mod:  
 \_\_\_\_=without Flow Regulation  
 -FR=with Flow Regulation

6 Power supply:  
 \_\_\_\_ = 230Vac  
 -110Vac  
 -12Vac  
 -12Vdc  
 -24Vac  
 -24Vdc

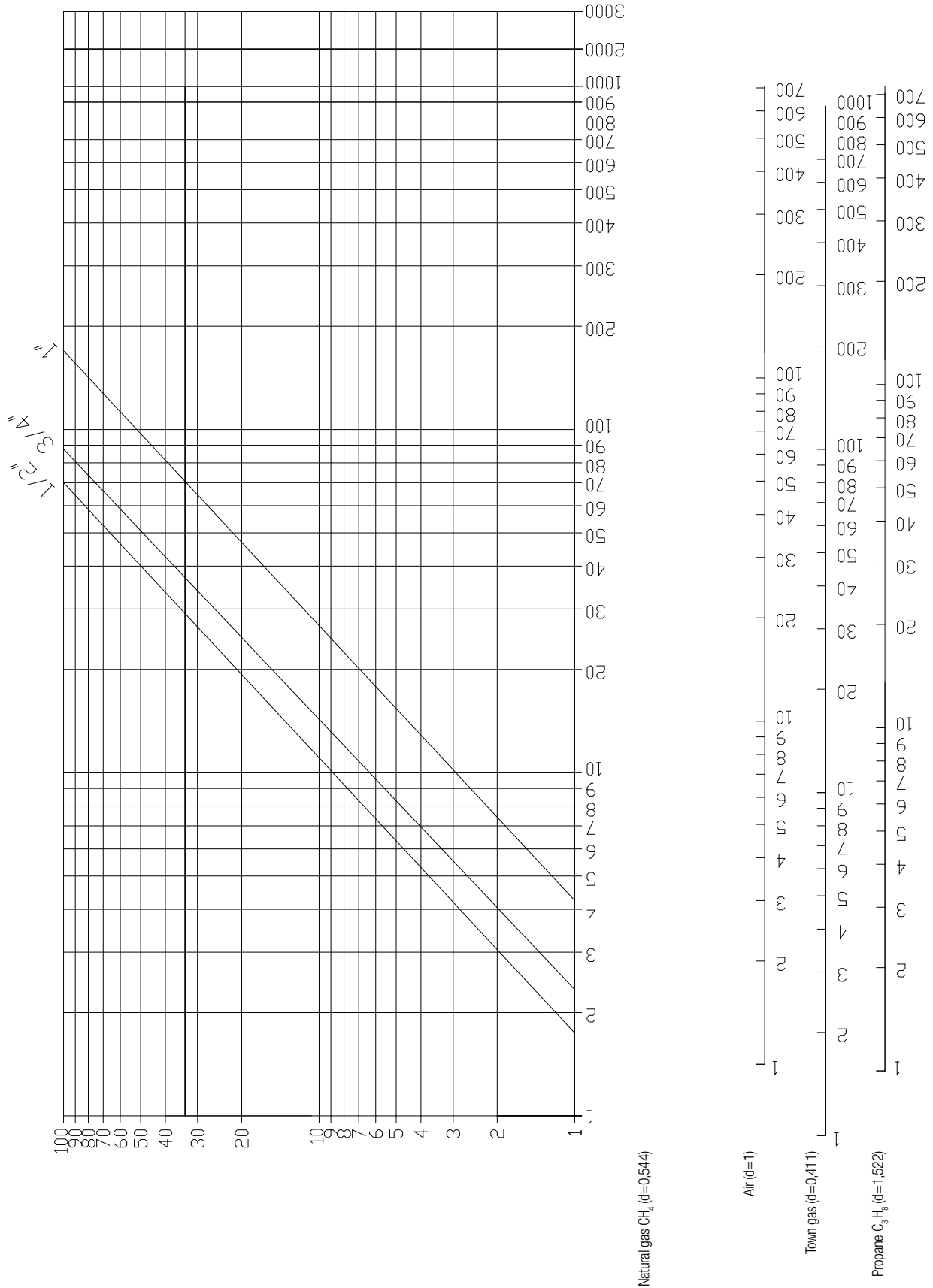
## PACKING DIMENSION

Code	Packaging Dimension (LxWxH) cm	Weight (Kg)	Packaging
AV015FO – AV020FO – AV025FO	8x15x8	0,9	1 unit
AV032FO – AV040FO	16,5x16x26	4,4	1 unit
AV015FO-HC - AV020FOHC - AV025FO-HC	19x12x10	2,2	1 unit
AV032FO-EC – AV040FO-EC	16,5x16x26	4,0	1 unit
AV050FO	16,5x16x26	4,8	1 unit
AVD32FO – AVD40FO	23,5x28,5x25	6,8	1 unit
AVD32FO-EC – AVD40FO-EC	23,5x28,5x25	6,4	1 unit
AVD50FO	23,5x28,5x25	7,2	1 unit
AVD65FO – AVD80FO	41x22,5	9,8	1 unit
AVD100FO	29x26x46	16	1 unit

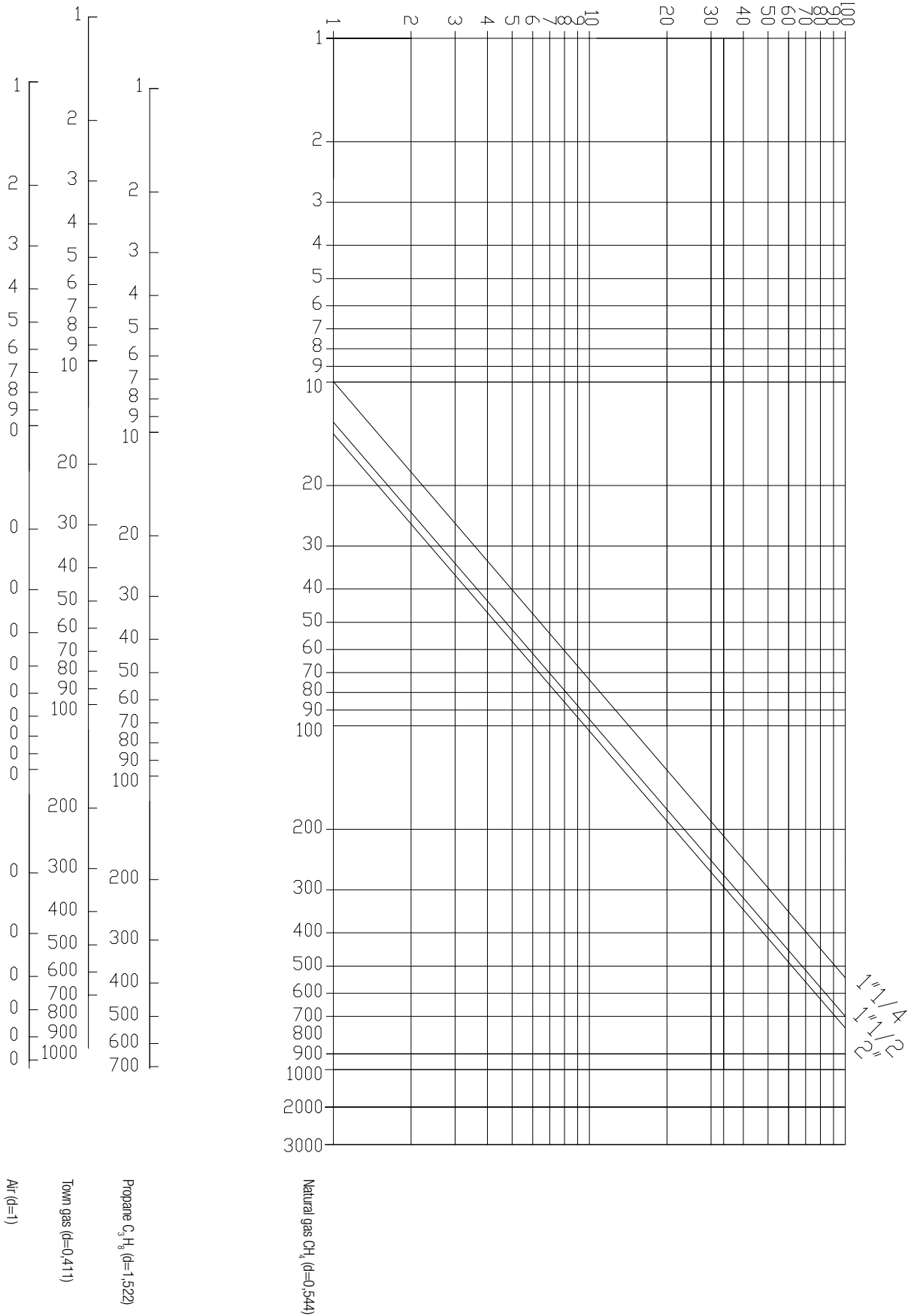
# AUTOMATIC VALVE 1/2", 3/4", 1"

Pressure drops (mbar)

Capacity Q (Nm<sup>3</sup>/h)

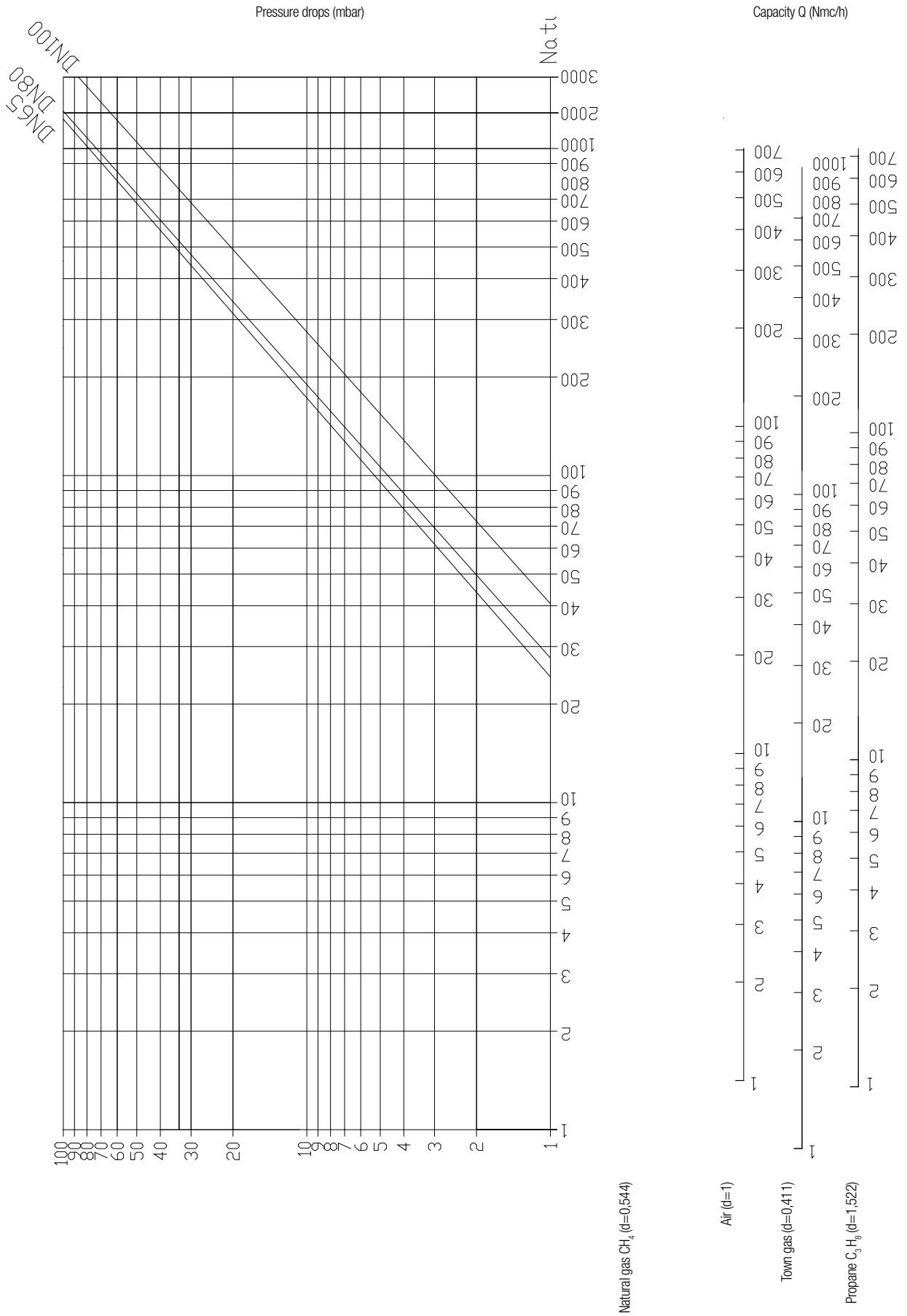


**AUTOMATIC VALVE 1 1/4", 1 1/2", 2"**





# AUTOMATIC VALVE DN65, DN80, DN100



## *Automatic Gas Valves - Pmax 6 bar*

» Automatic gas solenoid valves are used for safety and control of gas for shut-off in gas feed pipes. Suitable for various gasses, including Natural gas, Propane and LPG Gas solenoid valve normally closed solenoid that open automatically when the coil is powered and close automatically when there is no tension.



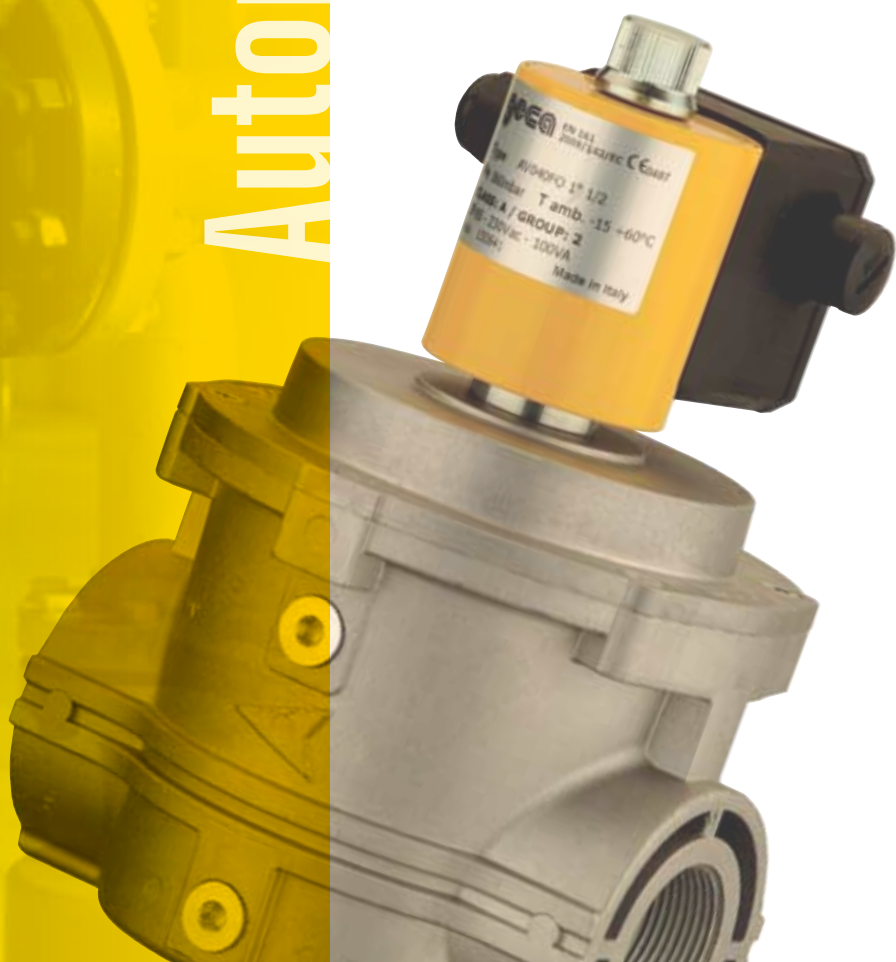
# Automatic Gas Valves

**AUTOMATIC GAS VALVES Fast Opening / Fast Closing** p. 148  
1/2", 3/4" and 1" – Pmax 6 bar

---

**AUTOMATIC GAS VALVES Fast Opening / Fast Closing** p. 150  
1 1/4", 1 1/2" and 2" – Pmax 6 bar

---



## AUTOMATIC GAS VALVES Fast Opening / Fast Closing 1/2", 3/4" and 1" – Pmax 6 bar



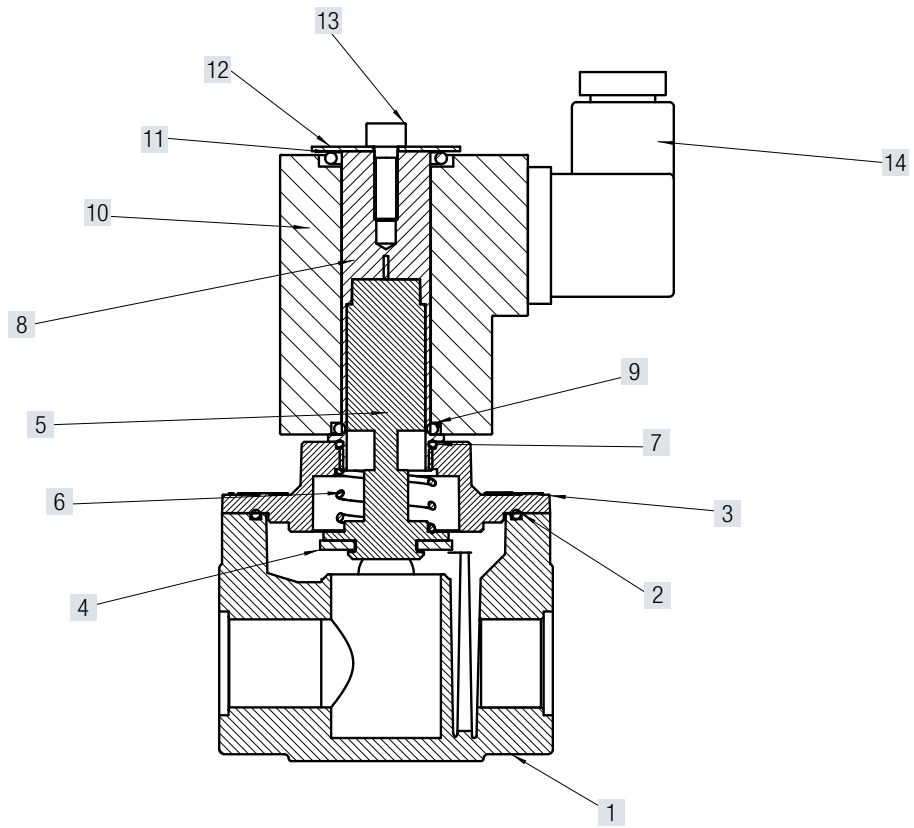
Code	Description	Dimension	Pmax
<b>AV015FO-6B</b>	Gas valve fast opening	1/2"	6 bar
<b>AV020FO-6B</b>	Gas valve fast opening	3/4"	6 bar
<b>AV025FO-6B</b>	Gas valve fast opening	1"	6 bar
<b>AVD025FO-6B</b>	Gas valve fast opening	DN25	6 bar
<b>AV015FO-FR-6B</b>	Gas valve fast opening Flow regulation	1/2"	6 bar
<b>AV020FO-FR-6B</b>	Gas valve fast opening Flow regulation	3/4"	6 bar
<b>AV025FO-FR-6B</b>	Gas valve fast opening Flow regulation	1"	6 bar
<b>AVD025FO-FR-6B</b>	Gas valve fast opening Flow regulation	DN25	6 bar
<b>CPI-1-6B</b>	Control position indicator		

### TECHNICAL FEATURES

<b>Pmax</b>	6 bar
<b>Inlet connection - outlet</b>	Thread gas 1/2" 3/4" and 1" - ISO 228 DN25 - Sliding Aluminium flange PN10
<b>Opening time</b>	<1 second
<b>Closing time</b>	<1 second
<b>Max number of operations</b>	20 per minute
Incorporated AISI 303 steel mesh filter on request	
<b>Supply voltage</b>	230V (-15%+10%) 50-60Hz 110V (-15%+10%) 50-60Hz 24Vdc (-15%+10%) 50-60Hz
<b>Power</b>	15 VA Coils to class F copper wire class H
<b>Use</b>	Non – aggressive gases – Family 1 – 2 – 3 and air
<b>Test point</b>	2 connections - options 3 connections Screw 1/4"
<b>Working Temperature</b>	- 20 °C – 60 °C
<b>Approval</b>	EN161 / PED / EAC
<b>Protection degree</b>	IP65

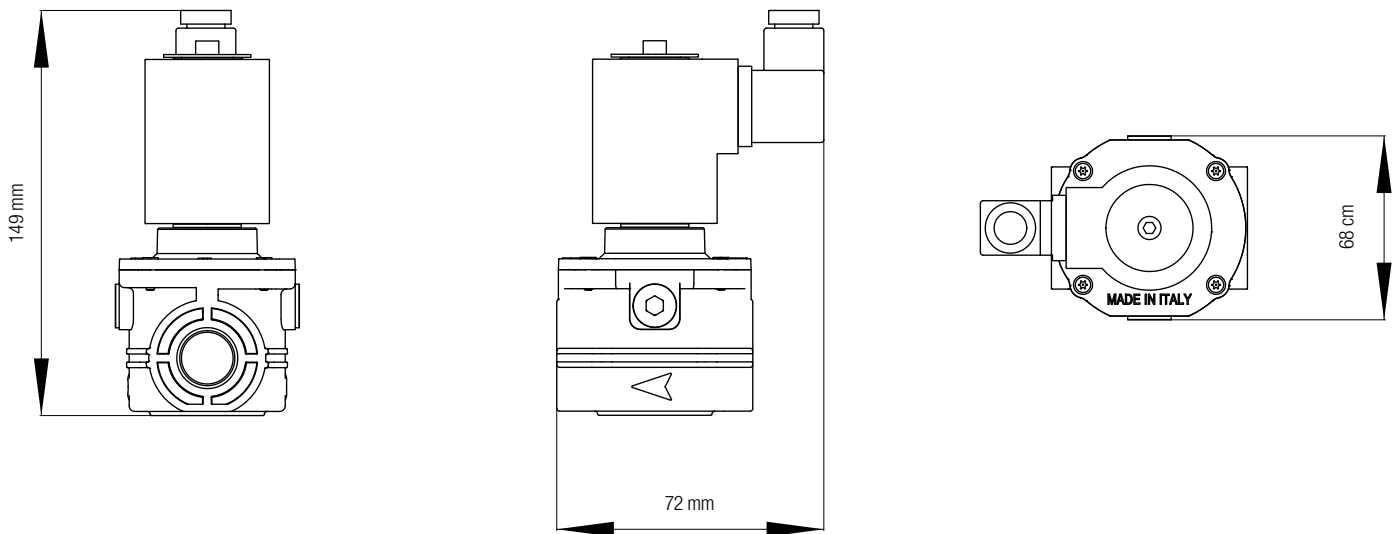
### Materials:

<b>Complete Body</b>	Die – Cast Aluminium Gd – AISI12Cu - EN AB 46100
----------------------	--



1	Body
2	O-Ring
3	Cover
4	Gasket
5	Plunger
6	Spring
7	O-Ring
8	Pilot

9	O-Ring
10	Coil
11	O-Ring
12	Washer
13	Screw M5
14	Connector



Dimension	1/2"	3/4"	1"
WEIGHT (kgs)	0,8	0,8	0,8

## AUTOMATIC GAS VALVES Fast Opening / Fast Closing 1 ¼", 1 ½" and 2" – Pmax 6 bar



Code	Description	Dimension	Pmax
<b>AV032FO-6B</b>	Gas valve fast opening	1 ¼"	6 bar
<b>AV040FO-6B</b>	Gas valve fast opening	1 ½"	6 bar
<b>AV050FO-6B</b>	Gas valve fast opening	2"	6 bar
<b>AVD32FO-6B</b>	Gas valve fast opening	DN32	6 bar
<b>AVD40FO-6B</b>	Gas valve fast opening	DN40	6 bar
<b>AVD50FO-6B</b>	Gas valve fast opening	DN50	6 bar

<b>AV032FO-FR-6B</b>	Gas valve fast opening Flow regulation	1 ¼"	6 bar
<b>AV040FO-FR-6B</b>	Gas valve fast opening Flow regulation	1 ½"	6 bar
<b>AV050FO-FR-6B</b>	Gas valve fast opening Flow regulation	2"	6 bar
<b>AVD32FO-FR-6B</b>	Gas valve fast opening Flow regulation	DN32	6 bar
<b>AVD40FO-FR-6B</b>	Gas valve fast opening Flow regulation	DN40	6 bar
<b>AVD50FO-FR-6B</b>	Gas valve fast opening Flow regulation	DN50	6 bar

<b>CPI-2-6B</b>	Control position indicator
-----------------	----------------------------

### TECHNICAL FEATURES

**Pmax** 6 bar

**Inlet connection - outlet** Thread gas 1 ¼", 1 ½" and 2" - ISO 228  
DN32 DN40 DN50 - Sliding Aluminium flange PN10

**Opening time** <1 second

**Closing time** <1 second

**Max number of operations** 20 per minute

Incorporated AISI 303 steel mesh filter on request

**Supply voltage** 230V (-15%+10%) 50-60Hz  
110V (-15%+10%) 50-60Hz  
24Vdc (-15%+10%) 50-60Hz

**Power** 230Vac  
1 ¼"-1 ½"-PeakPower 40W-Maintain power 4W  
2"-Peakpower 130W- Maintain power 1,5W  
Coils to class F copper wire class H

**Use** Non – aggressive gases – Family 1 – 2 – 3 and air

**Test point** 5 connections  
Screw ¼"

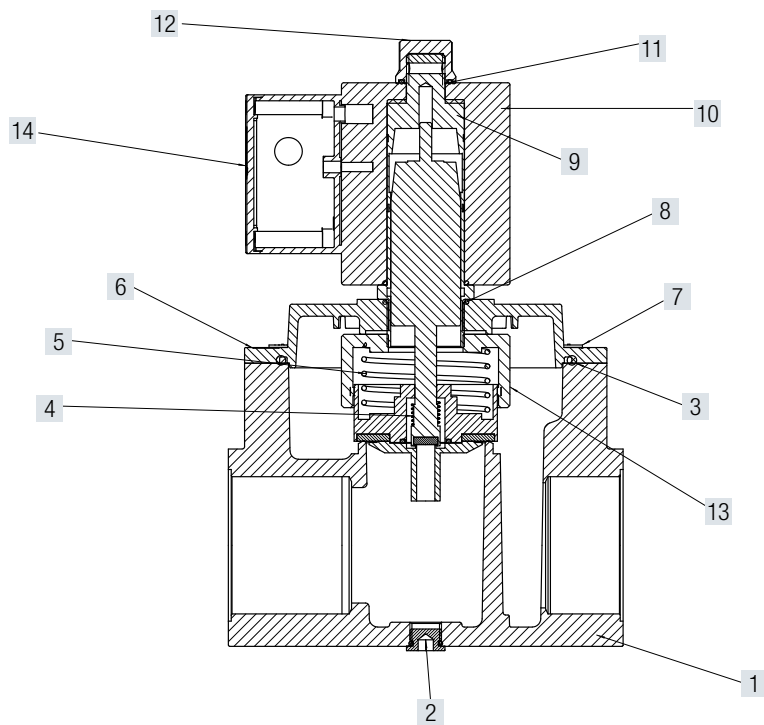
**Working Temperature** - 20 °C – 60 °C

**Approval** EN161 / PED / EAC

**Protection degree** IP65

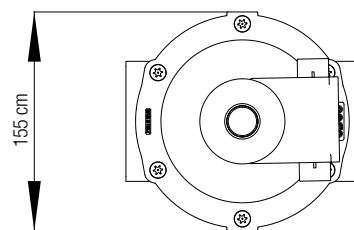
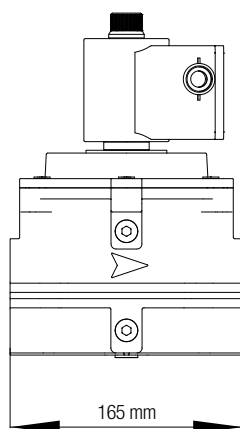
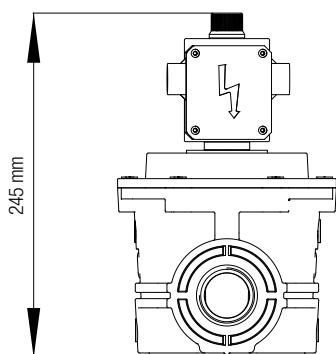
### Materials:

**Complete Body** Die – Cast Aluminium Gd – AISI12Cu - ENAB 46100



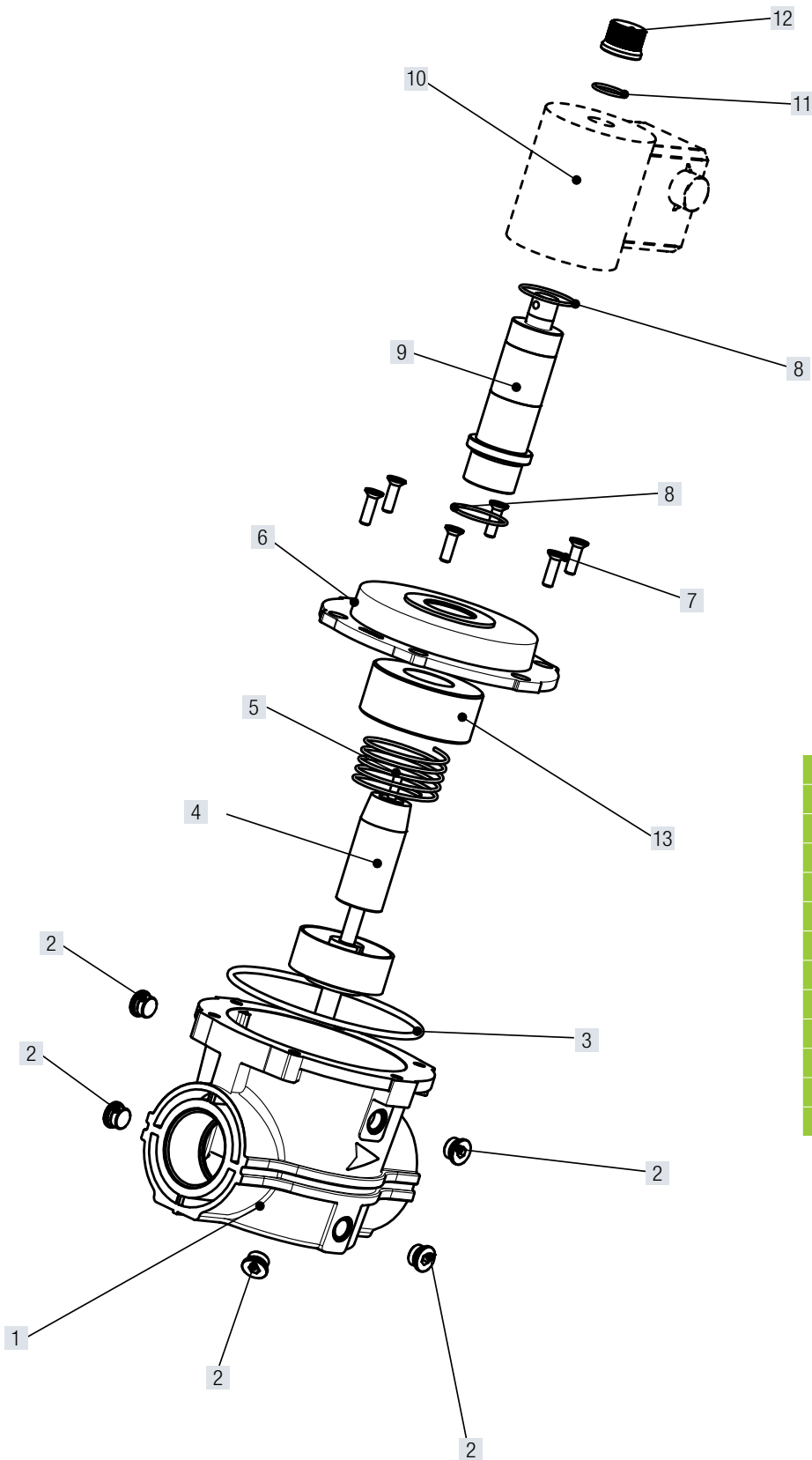
1	Body
2	Screw Plugs
3	O-Ring
4	Plunger
5	Spring
6	Cover
7	Screw

8	O-Ring
9	Pilot
10	Coil
11	O-Ring
12	Locking Ring
13	Fitting Guide
14	Connector



Dimension	1 ¼"	1 ½"	2"
WEIGHT (kgs)	4,2	4,2	4,6

ASSEMBLY OVERVIEW



1	Body
2	Screw Plugs
3	O-Ring
4	Plunger
5	Spring
6	Cover
7	Screw
8	O-Ring
9	Pilot
10	Coil
11	O-Ring
12	Locking Ring
13	Fitting Guide



## SPARE PARTS – ACCESSORIES

### COIL

Code	Description	Model
<b>20502719</b>	Coil 230 Vac	½" - ¾" – 1"
<b>80501589</b>	Coil 230 Vac	1 ¼" – 1 ½"
<b>80501590</b>	Coil 230 Vac	2"

### ELECTRONIC BOARD

Code	Description	Model
<b>21802429</b>	Electronic board 230 Vac	½" - ¾" – 1"
<b>81801620</b>	Electronic board - 230 Vac	1 ¼" – 1 ½"
<b>81801621</b>	Electronic board - 230 Vac	2"

### COIL – ELECTRONIC BOARD

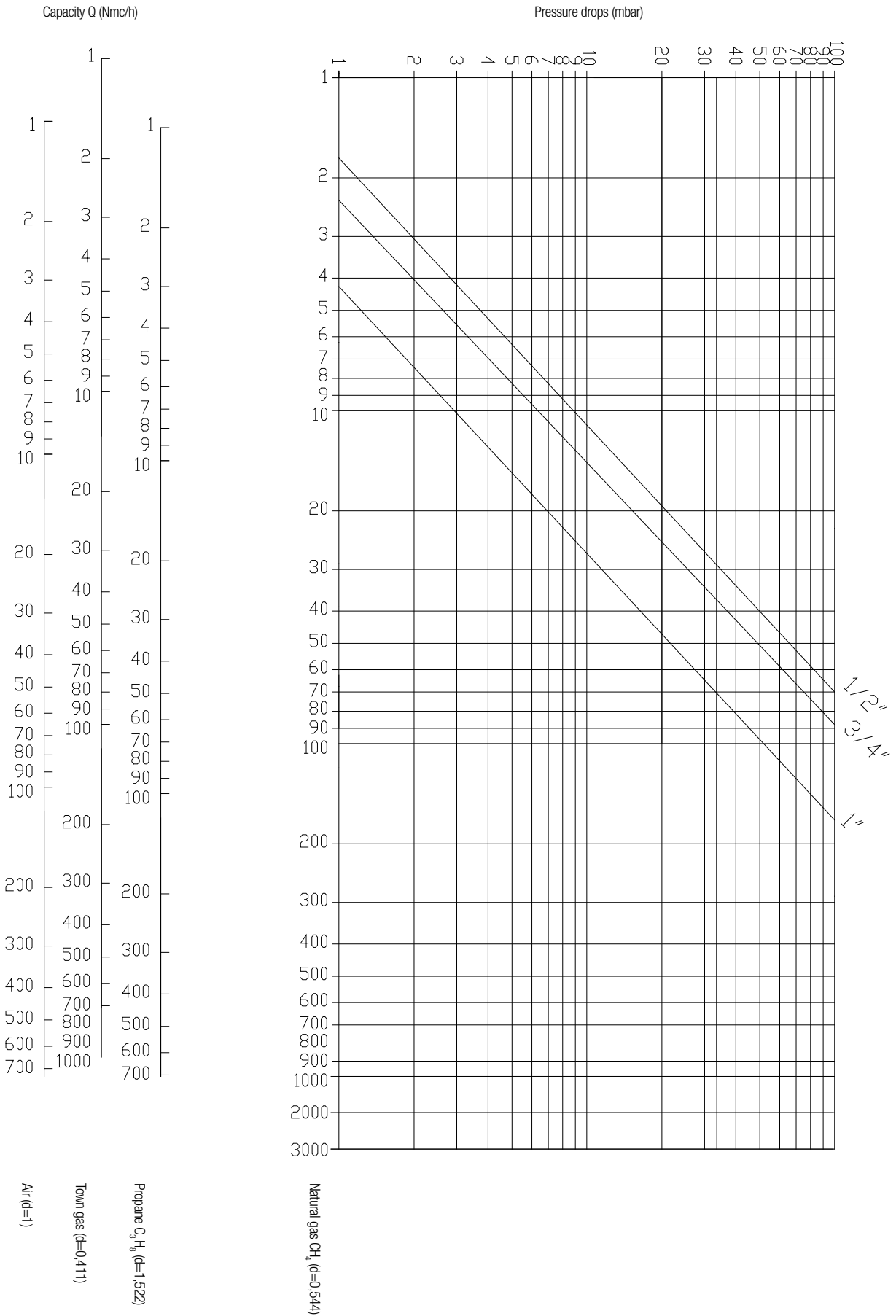
Code	Description	Model
<b>80521593</b>	Coil – Electronic board – Plastic cover	1 ¼" – 1 ½"
<b>80521594</b>	Coil – Electronic board – Plastic cover	2"

## CPI - CONTROL POSITION INDICATOR



Code	Description	Model
<b>CP1 – 1 – 6B</b>	Control position indicator	½", ¾", 1"
<b>CP1 – 2 – 6B</b>	Control position indicator	1 ¼", 1 ½", 2"

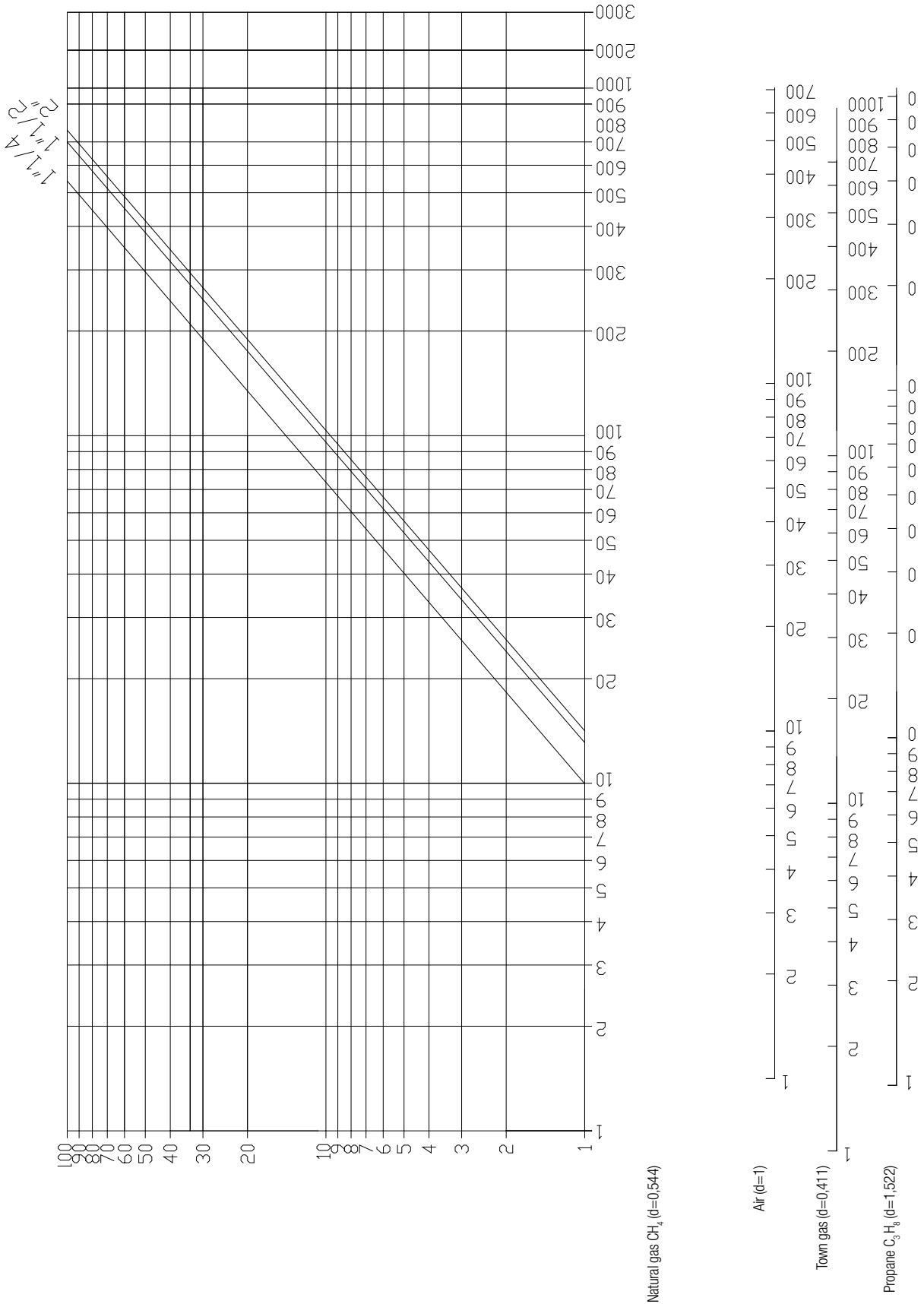
**AUTOMATIC VALVE 1/2", 3/4", 1"**



# AUTOMATIC VALVE 1 ¼", 1 ½", 2"

Pressure drops (mbar)

Capacity Q (Nm<sup>3</sup>/h)



## *Automatic gas valves Slow Opening / Fast Closing - Pmax 360 mbar*

» Automatic gas solenoid valves are used for safety and control of gas for shut-off in gas feed pipes. Suitable for various gasses, including Natural gas, Propane and LPG Gas solenoid valve normally closed solenoid that open automatically when the coil is powered and close automatically when there is no tension.

# Automatic Gas Valves - Slow Opening

**AUTOMATIC GAS VALVES Slow Opening / Fast Closing** p. 158  
1/2", 3/4" and 1" – Pmax 360 mbar

---

**AUTOMATIC GAS VALVES Slow Opening / Fast Closing** p. 160  
1 1/4", 1 1/2" and 2" – Pmax 360 mbar

---

**AUTOMATIC GAS VALVES Slow Opening / Fast Closing** p. 162  
DN65, DN80, DN100 – Pmax 360 mbar

---



## AUTOMATIC GAS VALVES Slow Opening / Fast Closing 1/2", 3/4" and 1" – Pmax 360 mbar



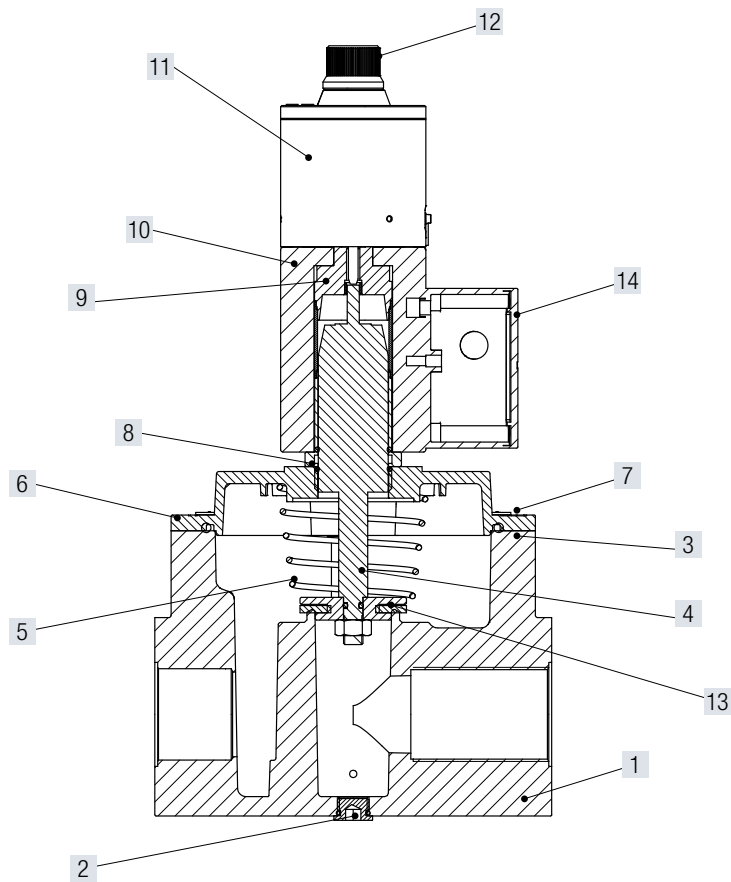
Code	Description	Dimension	Pmax
AV015SO	Gas valve Slow opening / Fast closing	1/2"	360 mbar
AV020SO	Gas valve Slow opening / Fast closing	3/4"	360 mbar
AV025SO	Gas valve Slow opening / Fast closing	1"	360 mbar
AVD25SO	Gas valve Slow opening / Fast closing	DN25	360 mbar
CPI-1	Control position indicator		

### TECHNICAL FEATURES

<b>Pmax</b>	360 mbar
<b>Inlet connection - outlet</b>	Thread gas 1/2" 3/4" and 1" - ISO 228 DN25 - Sliding Aluminium flange PN10
<b>Opening time</b> <b>Closing time</b>	Adjustable - 0,5 to 25 sec <1 second
<b>Adjustable</b>	Opening time / Rapid stroke / Flow regulation
Incorporated AISI 303 steel mesh filter on request	
<b>Supply voltage</b>	230V (-15%+10%) 50-60Hz 110V (-15%+10%) 50-60Hz 24Vdc (-15%+10%) 50-60Hz
<b>Power</b>	15 VA Coils to class F copper wire class H
<b>Use</b>	Non – aggressive gases – Family 1 – 2 – 3 and air
<b>Test point</b>	2 connections - options 3 connections Screw 1/4"
<b>Working Temperature</b>	- 20 °C – 60 °C
<b>Approval</b>	EN161 / PED
<b>Protection degree</b>	IP65

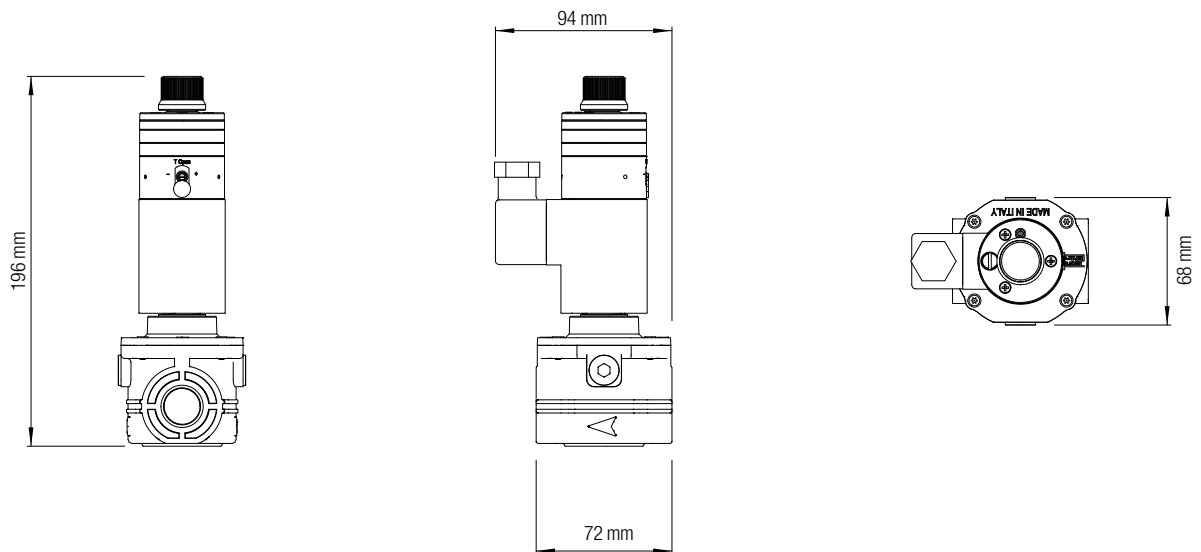
### Materials:

<b>Complete Body</b>	Die – Cast Aluminium Gd – AISI12Cu - EN AB 46100
----------------------	--



1	Body
2	Screw Plugs
3	O-Ring
4	Plunger
5	Spring
6	Cover
7	Screw

8	O-Ring
9	Pilot
10	Coil
11	Damping System
12	Locking Ring
13	Gasket
14	Connector



Dimension	1/2"	3/4"	1"
WEIGHT (kgs)	1,2	1,2	1,4

## AUTOMATIC GAS VALVES Slow opening / Fast closing 1 ¼", 1 ½" and 2" – Pmax 360 mbar



Code	Description	Dimension	Pmax
AV032SO	Gas valve Slow Opening / Fast Closing	1 ¼"	360 mbar
AV040SO	Gas valve Slow Opening / Fast Closing	1 ½"	360 mbar
AV050SO	Gas valve Slow Opening / Fast Closing	2"	360 mbar
AVD32SO	Gas valve Slow Opening / Fast Closing	DN32	360 mbar
AVD40SO	Gas valve Slow Opening / Fast Closing	DN40	360 mbar
AVD50SO	Gas valve Slow Opening / Fast Closing	DN50	360 mbar

GPI-2	Control position indicator
-------	----------------------------

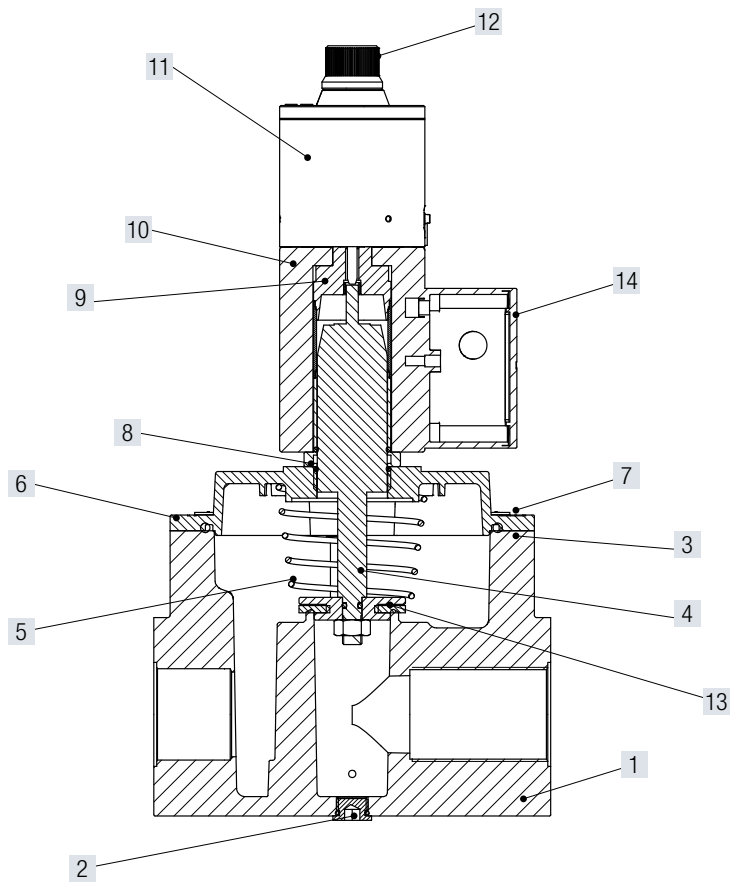
### TECHNICAL FEATURES

<b>Pmax</b>	360 mbar
<b>Inlet connection -outlet</b>	Thread gas 1 ¼", 1 ½" and 2" - ISO 228 DN32 DN40 DN50 - Sliding Aluminium flange PN10
<b>Opening time Closing time</b>	Adjustable - 0,5 to 40 sec <1 second
<b>Adjustable</b>	Opening time / Rapid stroke / Flow regulation
Incorporated AISI 303 steel mesh filter on request	
<b>Supply voltage</b>	230V (-15%+10%) 50-60Hz 110V (-15%+10%) 50-60Hz 24Vdc (-15%+10%) 50-60Hz
<b>Power</b>	230Vac 1 ¼"-1 ½"-PeakPower40W- Maintain power4W 2"-Peakpower130W- Maintain power 1,5W Coils to class F copper wire class H
<b>Use</b>	Non – aggressive gases – Family 1 – 2 – 3 and air
<b>Test point</b>	5 connections Screw ¼"
<b>Working Temperature</b>	- 20 °C – 60 °C
<b>Approval</b>	EN161 / PED
<b>Protection degree</b>	IP65

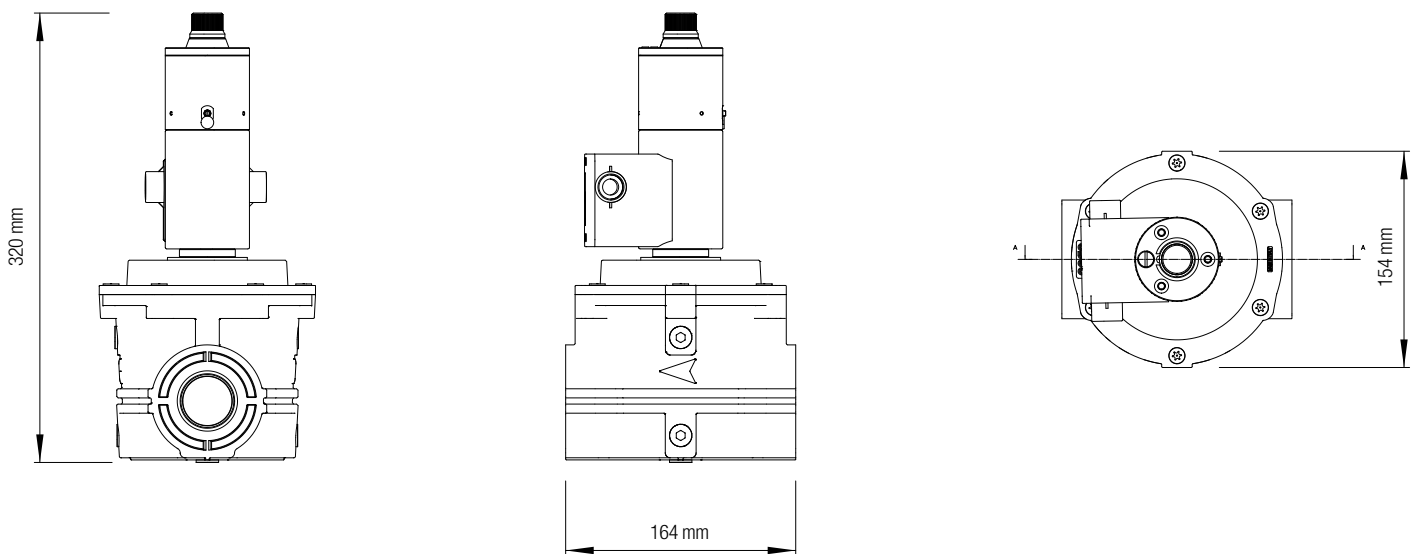
#### Materials:

<b>Complete Body</b>	Die – Cast Aluminium Gd – AISi12Cu - EN AB 46100
----------------------	--





1	Body	8	O-Ring
2	Screw Plugs	9	Pilot
3	O-Ring	10	Coil
4	Plunger	11	Damping system
5	Spring	12	Locking Ring
6	Cover	13	Gasket
7	Screw	14	Connector



Dimension	1 ¼"	1 ½"	2"
WEIGHT (kgs)	5,3	5,3	5,7

## AUTOMATIC GAS VALVES Slow Opening / Fast Closing DN65, DN80, DN100 – Pmax 360 mbar



Code	Description	Dimension	Pmax
<b>AVD65SO</b>	Gas valve Slow Opening	DN65	360 mbar
<b>AVD80SO</b>	Gas valve Slow Opening	DN80	360 mbar
<b>AVD100SO</b>	Gas valve Slow Opening	DN100	360 mbar

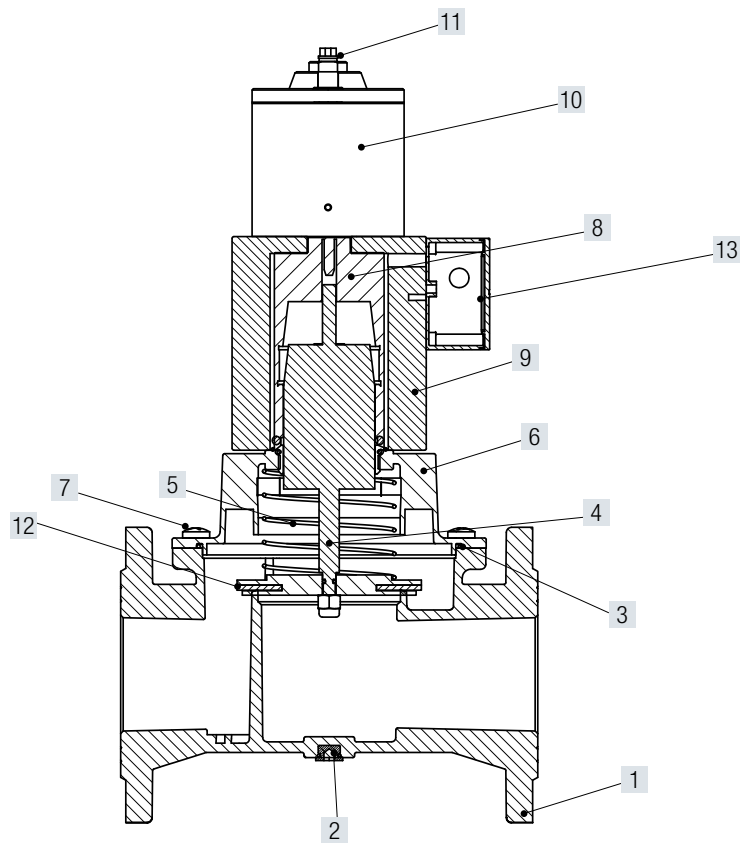
<b>CPI-3</b>	Control position indicator DN65-DN80
<b>CPI-4</b>	Control position indicator DN100

### TECHNICAL FEATURES

<b>Pmax</b>	360 mbar
<b>Inlet connection</b>	Flanged – DN65 – DN80 – DN100 – PN16
<b>Outlet</b>	Flanged – DN65 – DN80 – DN100 – PN16
<b>Opening time</b>	Adjustable - 0,5 to 40 sec
<b>Closing time</b>	<1 second
<b>Adjustable</b>	Opening time / Rapid stroke / Flow regulation
<b>Incorporated AISI 303 steel mesh filter</b>	
<b>Supply voltage</b>	230V (-15%+10%) 50-60Hz. 110V (-15%+10%) 50-60Hz. 24Vdc (-15%+10%) 50-60Hz
<b>Power</b>	230Vac DN65 - DN80 - DN100 Peak power 400W - Maintain power 4W Coils to class F copper wire class H
<b>Use</b>	Non – aggressive gases – Family 1 – 2 – 3 and air
<b>Test point</b>	5 connections Screw 1/4" NPT
<b>Working Temperature</b>	- 20 °C – 60 °C
<b>Approval</b>	EN161 / PED
<b>Protection degree</b>	IP65

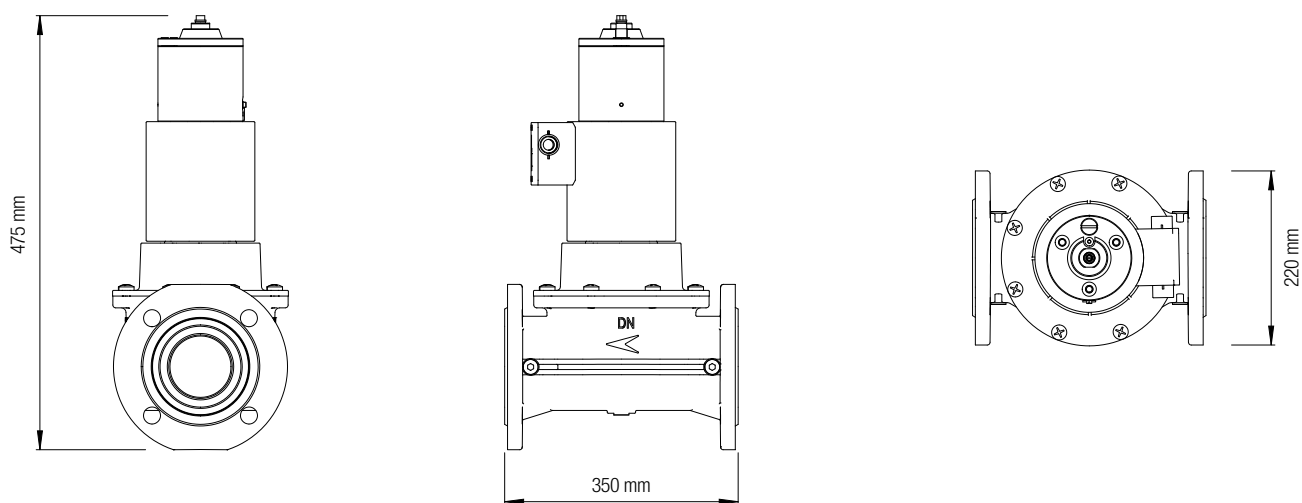
#### Materials:

<b>Complete Body</b>	Aluminium EN AC 43100
----------------------	-----------------------



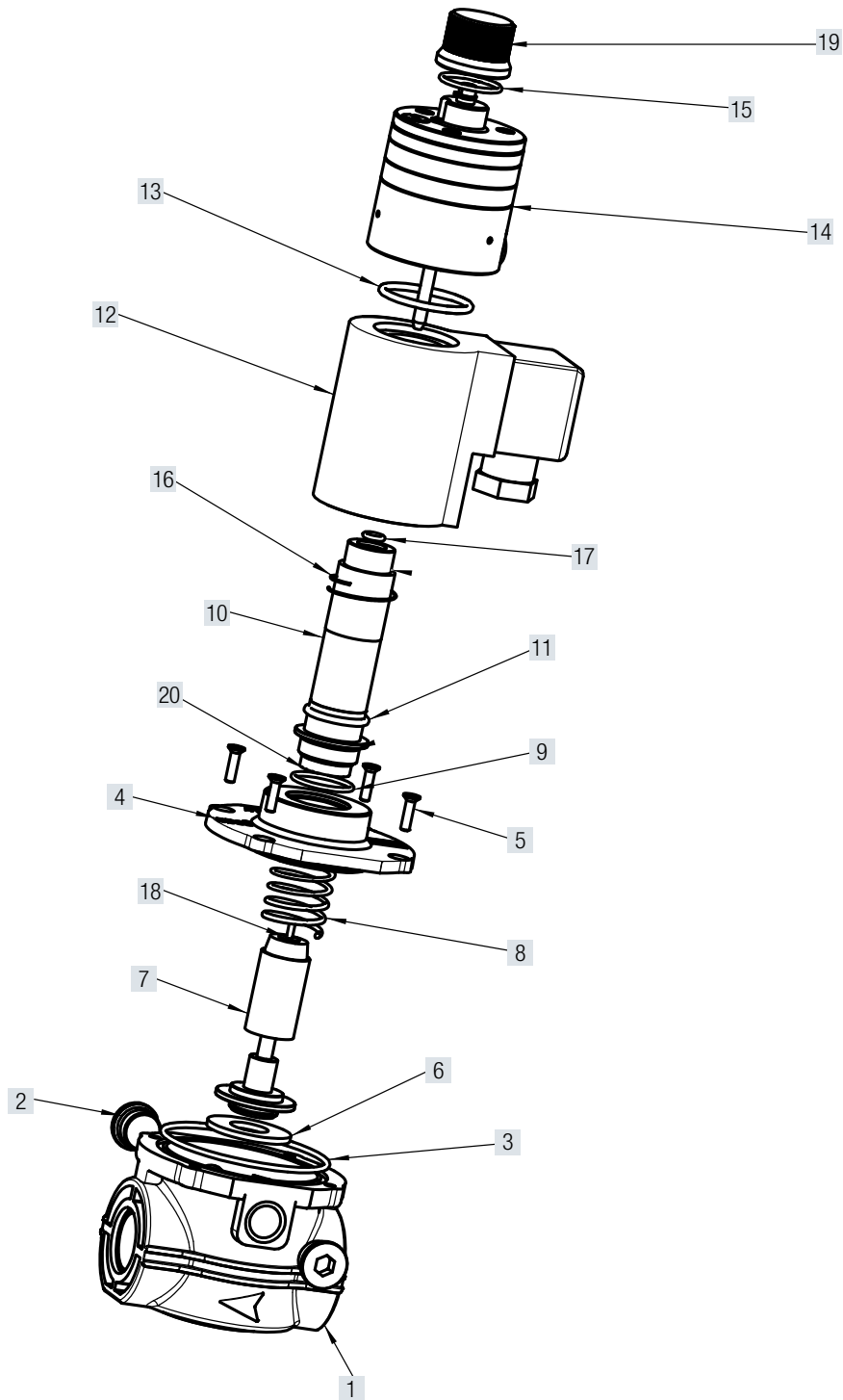
1	Body
2	Screw Plugs
3	O-Ring
4	Plunger
5	Spring
6	Cover
7	Screw

8	Pilot
9	Coil
10	Damping system
11	Locking Ring
12	Gasket
13	Connector



Dimension	DN65	DN80	DN100
WEIGHT (kgs)	11,1	11,1	16,9

ASSEMBLY OVERVIEW



1	Body
2	Screw Plugs
3	O-Ring
4	Cover
5	Screw
6	Gasket
7	Plunger
8	Spring
9	O-Ring
10	Pilot
11	O-Ring
12	Coil
13	O-Ring
14	Slow Motion
15	O-Ring
16	Spring-Coil
17	O-Ring
18	Washer
19	Locking Ring

## SPARE PARTS – ACCESSORIES

### COIL

Code	Description	Model
20502719	Coil 230 Vac	½" - ¾" – 1"
80501589	Coil 230 Vac	1 ¼" – 1 ½"
80501590	Coil 230 Vac	2"
80501591	Coil 230 Vac	DN65 – DN80
80501592	Coil 230 Vac	DN100

### ELECTRONIC BOARD

Code	Description	Model
21802429	Electronic board 230 Vac	½" - ¾" – 1"
81801620	Electronic board - 230 Vac	1 ¼" – 1 ½"
81801621	Electronic board - 230 Vac	2"
81801622	Electronic board - 230 Vac	DN65 – DN80
81801623	Electronic board - 230 Vac	DN100

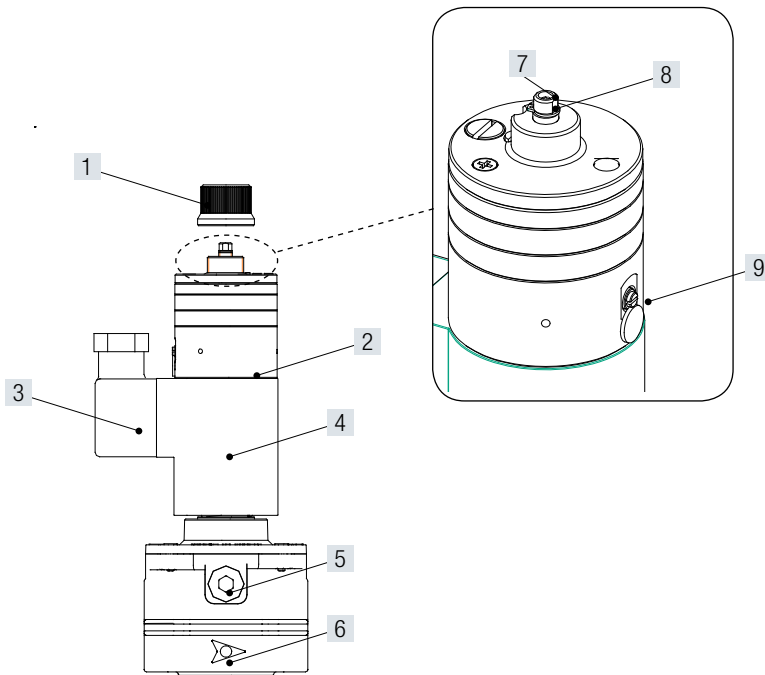
### COIL – ELECTRONIC BOARD – PLASTIC COVER

Code	Description	Model
80521593	Coil – Electronic board – Plastic cover	1 ¼" – 1 ½"
80521594	Coil – Electronic board – Plastic cover	2"
80521595	Coil – Electronic board – Plastic cover	DN65 – DN80
80521596	Coil – Electronic board – Plastic cover	DN100

## CPI CONTROL POSITION INDICATOR



Code	Description	Model
CP1 – 1	Control position indicator	½", ¾", 1"
CP1 – 2	Control position indicator	1 ¼", 1 ½", 2"
CP1 – 3	Control position indicator	DN65 – DN80
CP1 – 4	Control position indicator	DN100



<b>1</b>	Protection cap for adjustments
<b>2</b>	Damping system.
<b>3</b>	Electrical connector
<b>4</b>	Coil.
<b>5</b>	Test point G 1/4"

<b>6</b>	Valve body
<b>7</b>	Flow rate regulation
<b>8</b>	Rapid stroke regulation
<b>9</b>	Opening time regulation

## INSTALLATION

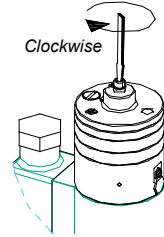
CONNECTION	HORIZONTAL POSITION	VERTICAL POSITION	OVERTURNED POSITION
from 1/2" to DN100			

# SETTINGS

## FLOW RATE

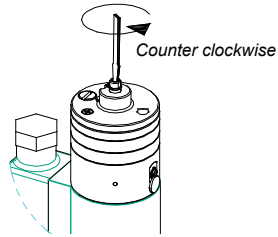
With a flat screwdriver rotate the screw in the desired direction:

### FLOW DECREASING



7

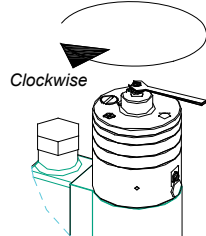
### FLOW INCREASING



## RAPID STROKE

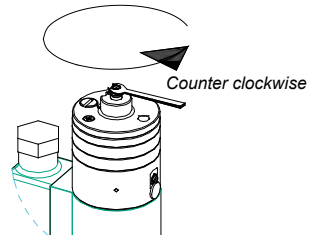
With a wrench rotate the ferrule in the desired direction:

### SLOW RAPID STROKE



8

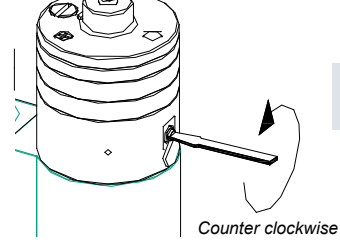
### FAST RAPID STROKE



## OPENING TIME

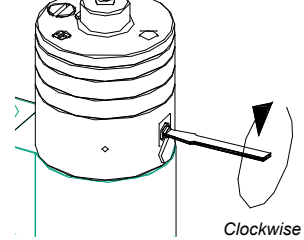
With a flat screwdriver rotate the screw in the desired direction

### OPENING TIME DECREASING



9

### OPENING TIME INCREASING



## CODE DESCRIPTION

AV015SO-110Vac

①   ②   ③   ④

① Automatic Valves   ③ SO= Slow Opening   ④ Voltage  
— 230 Vac  
110 Vac

② Dimension:  
015 = 1/2"  
020 = 3/4"  
025 = 1"  
032 = 1 1/4"  
040 = 1 1/2"  
050 = 2"  
D65 = DN65  
D80 = DN80  
D100 = DN100

## PACKING DIMENSION

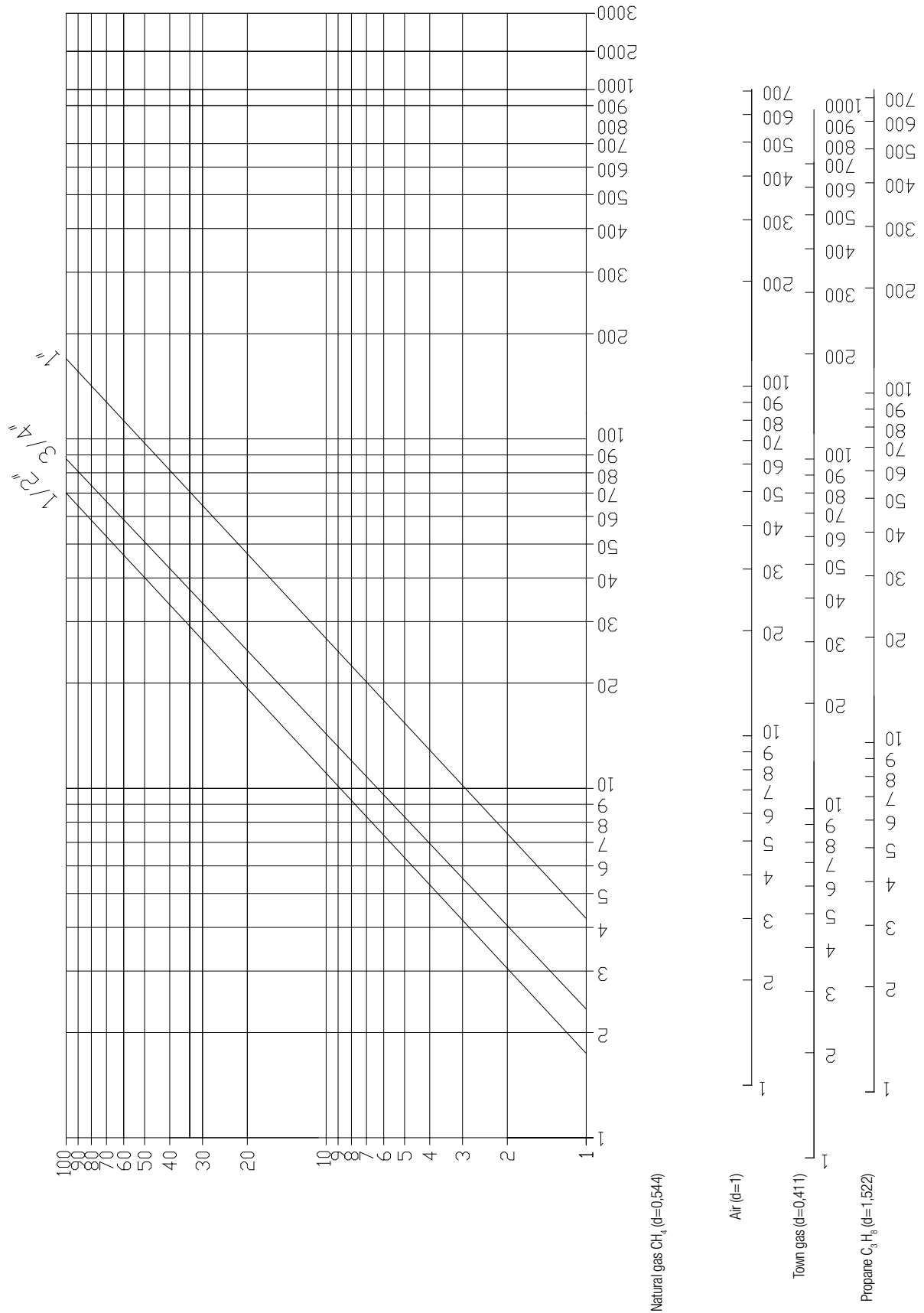
Code	Packaging Dimension (LxWxH) cm	Weight (Kg)	Packaging
AV015FO – AV020FO – AV025FO	8x15x10	1,4	1 units
AV032FO – AV040FO	16,5x16x31	5,3	1 units
AV050FO	16,5x16x31	5,7	1 units
AVD32FO – AVD40FO	23,5x28,5x31	7,7	1 units
AVD50FO	23,5x28,5x31	8,1	1 units
AVD65FO – AVD80FO	41x22,5x40	11,1	1 units
AVD100FO	29x26x51	16,9	1 units



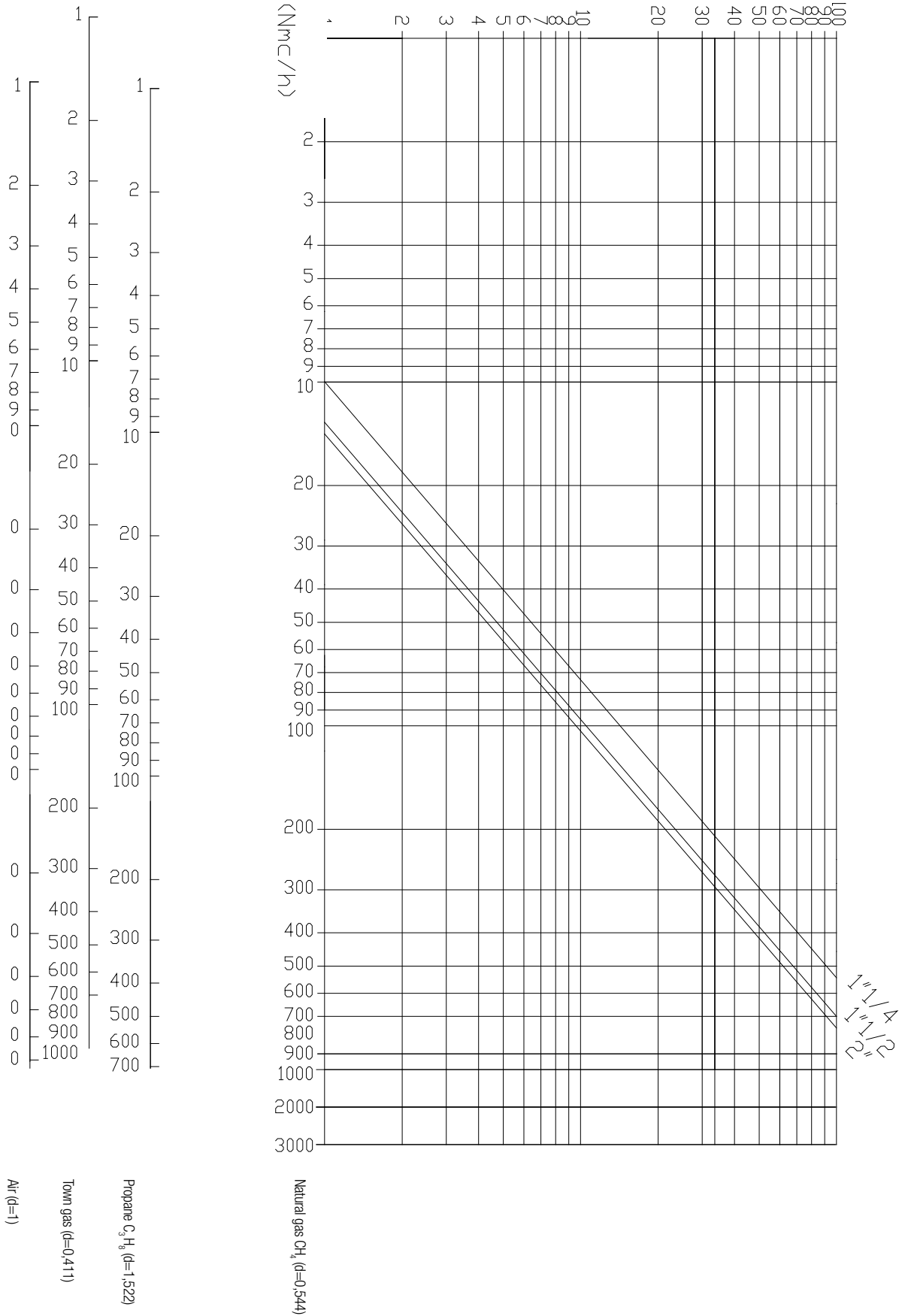
# AUTOMATIC VALVE 1/2", 3/4", 1"

Pressure drops (mbar)

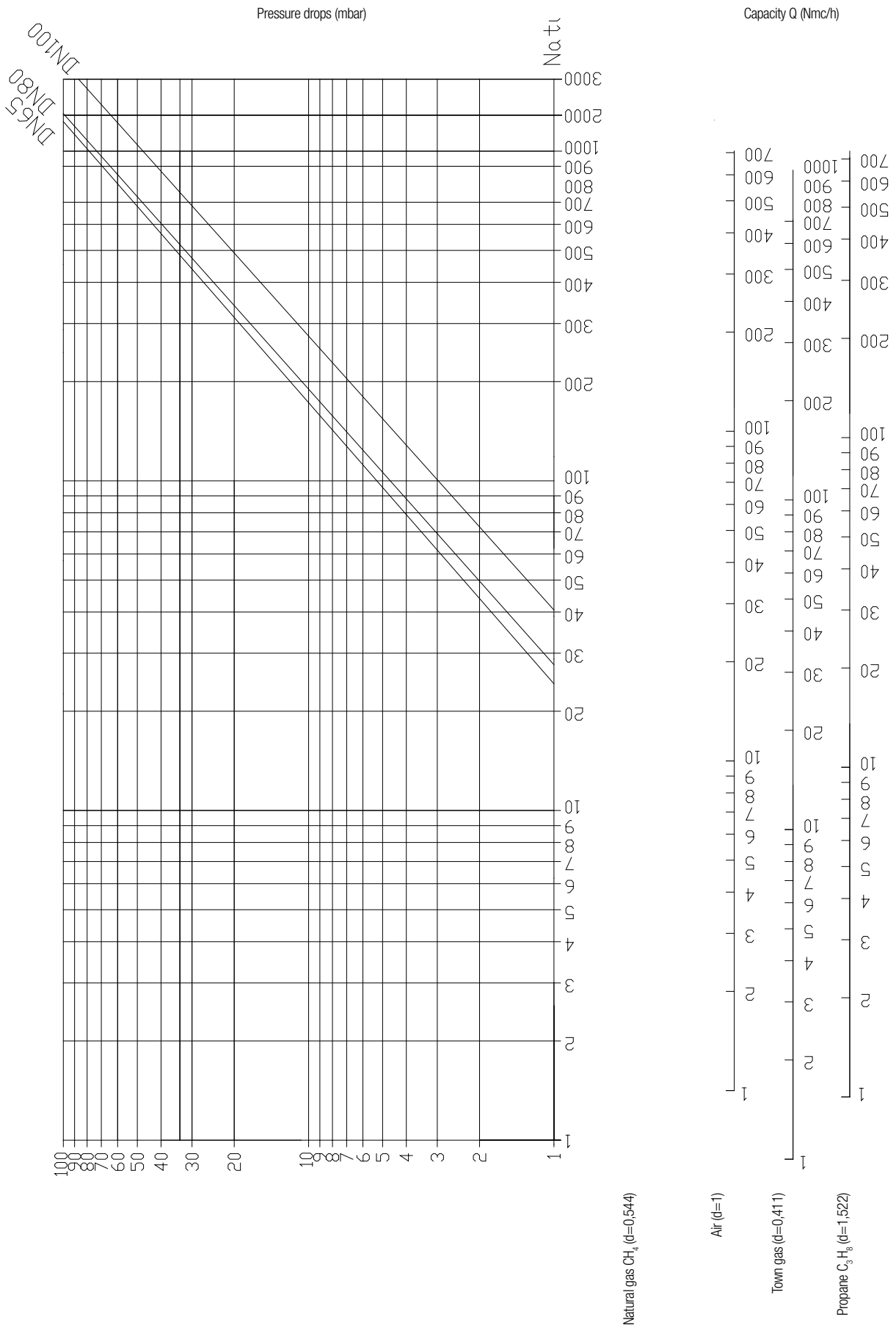
Capacity Q (Nm<sup>3</sup>/h)



**AUTOMATIC VALVE 1 1/4", 1 1/2", 2"**



# AUTOMATIC VALVE DN65, DN80, DN100



## *Automatic gas valves - Normally open - Vent valves*

» Normally open solenoid valve is an automatic pressure relief valve for gas burners and gas appliances. The normally open gas solenoid valve is a safety device which quickly intercepts gas flow when the pressure it is monitoring reaches a pre-set limit due to any anomaly in the system



# Normally open - Vent valves

**AUTOMATIC GAS VALVES - NORMALLY OPEN - VENT VALVE**  
1/2", 3/4" and 1" – 360 mbar – Pmax 6 bar

---

p. 174



**AUTOMATIC GAS VALVES - Normally Open - Vent valve**  
**½", ¾" and 1" – 360 mbar – Pmax 6 bar**



Code	Description	Dimension	Pmax
AV015NO	Gas valve fast opening	½"	360 mbar
AV020NO	Gas valve fast opening	¾"	360 mbar
AV025NO	Gas valve fast opening	1"	360 mbar
AVD25NO	Gas valve fast opening	DN25	360 mbar
AV015NO-6B	Gas valve fast opening	½"	6 bar
AV020NO-6B	Gas valve fast opening	¾"	6 bar
AV025NO-6B	Gas valve fast opening	1"	6 bar
AVD25NO-6B	Gas valve fast opening	DN25	6 bar

**TECHNICAL FEATURES**

<b>Pmax</b>	360 mbar - 6 bar
<b>Inlet connection - outlet</b>	Thread gas ½" ¾" and 1" - ISO 228 DN25 - Sliding Aluminium flange PN10
<b>Opening time</b>	<1 second
<b>Closing time</b>	<1 second
<b>Max number of operations</b>	20 per minute
Incorporated AISI 303 steel mesh filter on request	
<b>Supply voltage</b>	230V (-15%+10%) 50-60Hz 110V (-15%+10%) 50-60Hz 24Vdc (-15%+10%) 50-60Hz
<b>Power</b>	15 VA Coils to class F copper wire class H
<b>Use</b>	Non – aggressive gases – Family 1 – 2 – 3 and air
<b>Test point</b>	3 connections Screw ¼" NPT
<b>Working Temperature</b>	- 20 °C – 60 °C
<b>Approval</b>	EN161 / PED
<b>Protection degree</b>	IP65

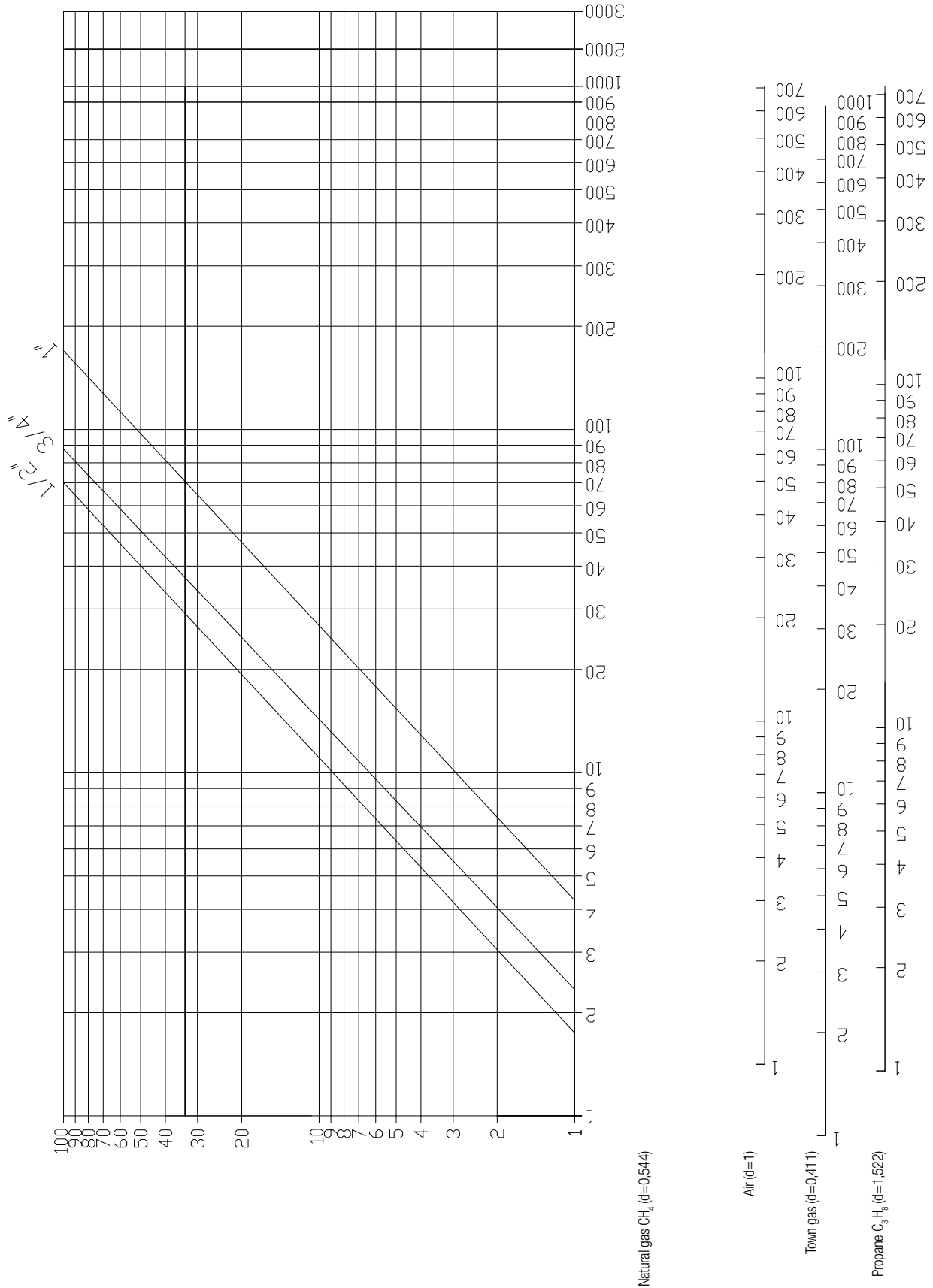
**Materials:**

<b>Complete Body</b>	Die – Cast Aluminium Gd – AISI12Cu - EN AB 46100
----------------------	--

# AUTOMATIC VALVE 1/2", 3/4", 1"

Pressure drops (mbar)

Capacity Q (Nm<sup>3</sup>/h)



## *Pressure Switches*

» Are designed for switching a circuit on, off or over if the pressure actual value changes in relation to the setpoint.



# Pressure Switches

PRESSURE SWITCHES

p. 178



## PRESSURE SWITCHES



Code	Description	Range	Pmax
PS003-PP	Positive pressure	0,4 - 3 mbar	500 mbar
PS010-PP	Positive pressure	2 - 10 mbar	500 mbar
PS050-PP	Positive pressure	2,5 - 50 mbar	500 mbar
PS150-PP	Positive pressure	30 - 150 mbar	500 mbar
PS500-PP	Positive pressure	100 - 500 mbar	1 bar

PS003-PP-DP	Positive pressure & differential pressure	0,4 - 3 mbar	500 mbar
PS010-PP-DP	Positive pressure & differential pressure	2 - 10 mbar	500 mbar
PS050-PP-DP	Positive pressure & differential pressure	2,5 - 50 mbar	500 mbar
PS150-PP-DP	Positive pressure & differential pressure	30 - 150 mbar	500 mbar
PS500-PP-DP	Positive pressure & differential pressure	100 - 500 mbar	1 bar

PS002-DP	Differential pressure	0,2 - 2 mbar	100 mbar
PS003-DP	Differential pressure	0,3 - 3 mbar	100 mbar
PS005-DP	Differential pressure	0,5 - 5 mbar	100 mbar
PS010-DP	Differential pressure	1 - 10 mbar	100 mbar

### TECHNICAL FEATURES

<b>Base support</b>	Die-casted aluminium
<b>Diaphragm</b>	NBR
<b>Housing</b>	Brass
<b>Switch part</b>	Polycarbonate
<b>Electrical rating</b>	250V ac
<b>Pressure connection</b>	1/4" BSP
<b>Ambient temperature</b>	-15 ÷ +60 °C
<b>Enclosure</b>	IP54 - IP44 (differential)
<b>Adjustable tolerance</b>	+/- 15%
<b>Electrical connection</b>	male fast – on 6,3 x 0,8 mm
<b>Air connection</b>	Silicone or polyamide, polyurethane hose ø4 x ø7 or ø5 x ø8 mm
<b>Approval</b>	CE according to EN 1854
<b>Models</b>	PS-PP Positive Pressure Switch PS-PP-DP Positive and Differential Pressure Switch PS-DP Differential Pressure Switch

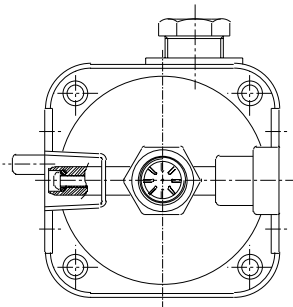
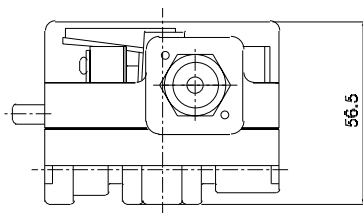
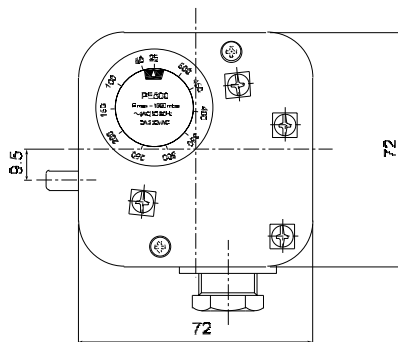
## PRESSURE SWITCH

Model	0.4-3.0 mbar P-max 500 mbar	2.0-10.0 mbar P-max 500 mbar	2.5-50 mbar P-max 500 mbar	30-150 mbar P-max 500 mbar	100-500 mbar P-max 1 bar
<b>Positive pressure</b>	PS003-PP	PS010-PP	PS050-PP	PS150-PP	PS500-PP
<b>Positive pressure and differential pressure</b>	PS003-PP-DP	PS010-PP-DP	PS050-PP-DP	PS150-PP-DP	PS500-PP-DP

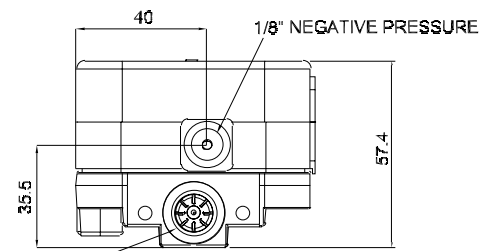
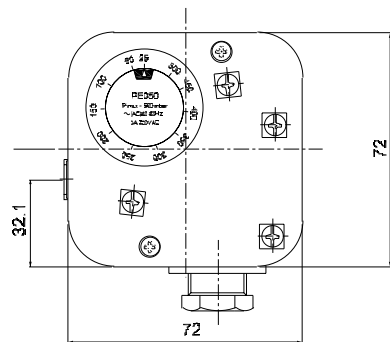
## DIFFERENTIAL PRESSURE SWITCH

Model	Pressure range	$\Delta P$	Max pressure
<b>PS003 - DP</b>	0.3 - 3.0 mbar	$\leq 0.5$ mbar	100 mbar
<b>PS005 - DP</b>	0.5 - 5.0 mbar	$\leq 0.6$ mbar	100 mbar
<b>PS010 - DP</b>	1 - 10 mbar	$\leq 0.8$ mbar	100 mbar

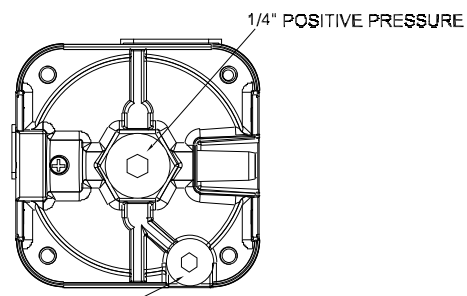
**PS...-PP**



**PS...-PP-DP**

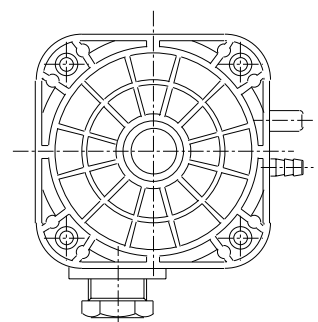
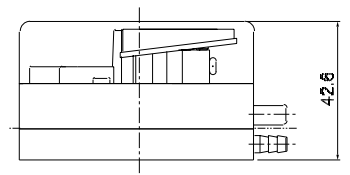
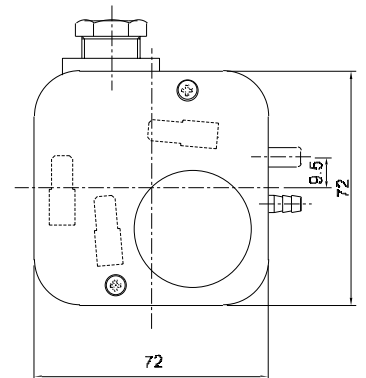


1/4" POSITIVE PRESSURE



1/8" NEGATIVE PRESSURE

**PS...-DP**



## *Relief Valves*

» This is a safety device which quickly intercepts gas flow when the pressure it is monitoring reaches a pre-set limit due to any anomaly in the system



# Relief Valves

RELIEF VALVE 1/2", 3/4", 1" - Pmax 1 bar

p. 182

RELIEF VALVE 1 1/4", 1 1/2", 2" - Pmax 1 bar

p. 184



## RELIEF VALVE 1/2", 3/4", 1" - Pmax 1 Bar



Code	Description	Dimension	Pmax
<b>RV015-1B</b>	Relief valve	1/2"	1 bar
<b>RV020-1B</b>	Relief valve	3/4"	1 bar
<b>RV025-1B</b>	Relief valve	1"	1 bar
<b>RVD25-1B</b>	Relief valve	DN25	1 bar

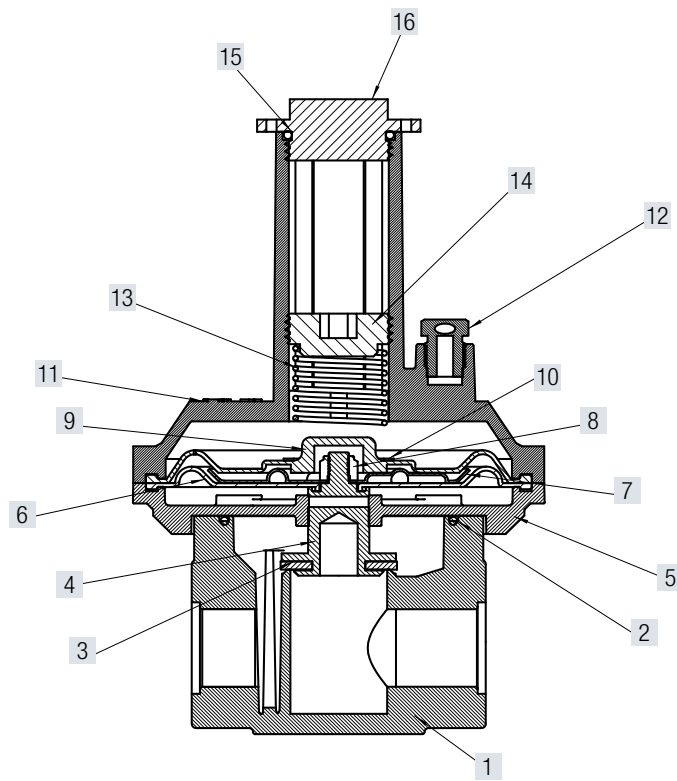
## TECHNICAL FEATURES

<b>Pmax</b>	1 bar
<b>Inlet - Outlet Connection</b>	thread 1/2", 3/4", 1" ISO228/1 DN25 - Sliding Aluminium flange PN10
<b>Setting range</b>	20 - 600 mbar - Standard spring supplied 200 - 600 mbar
Screw Plugs 1/8"	
<b>Working Temperature</b>	- 20 °C - + 60°C
<b>Use</b>	Not aggressive gases of three families – Natural gas – LPG – Town gas – Air
<b>Approval</b>	PED / EAC

*Materials:*

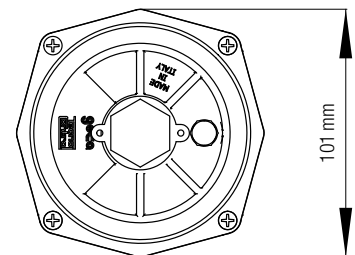
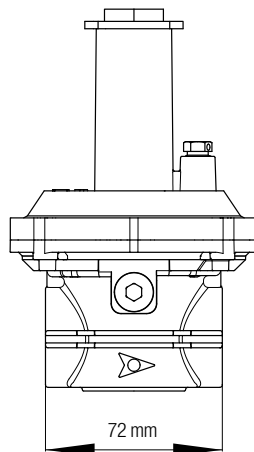
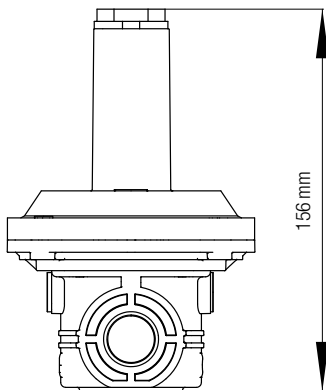
<b>Complete Body</b>	Die - Cast Aluminium Gd - AISi12Cu - EN AB 46100
<b>Diaphragms</b>	NBR 60Sh - DvGW EN 549

<i>Code:</i>	<b>Color</b>	<b>Range mbar</b>
<b>SPBK1-1RV</b>	Black	20 - 120 mbar
<b>SPG1-1RV</b>	Green	100 - 450 mbar
<b>SPBR1 - 1RV</b>	Brown	200 - 600 mbar



1	Body
2	O ring
3	Gasket
4	Shaft
5	Flange adapter
6	Working Diaphragm
7	Disc
8	Nut

9	Safety diaphragm
10	Washer
11	Upper cover
12	Safety vent
13	Spring
14	Spring compressor
15	O ring
16	Seal cap



Dimension	1/2"	3/4"	1"
WEIGHT (kgs)	0,8	0,7	0,5

## RELIEF VALVE 1 ¼", 1 ½", 2" - Pmax 1 Bar



Code	Description	Dimension	Pmax
<b>RV032-1B</b>	Relief valve	1 ¼"	1 bar
<b>RV040-1B</b>	Relief valve	1 ½"	1 bar
<b>RV050-1B</b>	Relief valve	2"	1 bar
<b>RVD32-1B</b>	Relief valve	DN32	1 bar
<b>RV040-1B</b>	Relief valve	DN40	1 bar
<b>RV050-1B</b>	Relief valve	DN50	1 bar

## TECHNICAL FEATURES

**Pmax** 1 bar

**Inlet - Outlet Connection** thread 1 ¼", 1 ½", 2" ISO228/1  
DN32 /DN40/DN50- Sliding Aluminium flange PN10

**Setting range** 20 - 600 mbar - Standard spring supplied 200 - 600 mbar

Screw Plugs 1/8"

**Working Temperature** - 20 °C - + 60°C

**Use** Not aggressive gases of three families – Natural gas – LPG – Town gas – Air

**Approval** PED / EAC

*Materials:*

**Complete Body** Die - Cast Aluminium Gd - AISi12Cu - EN AB 46100

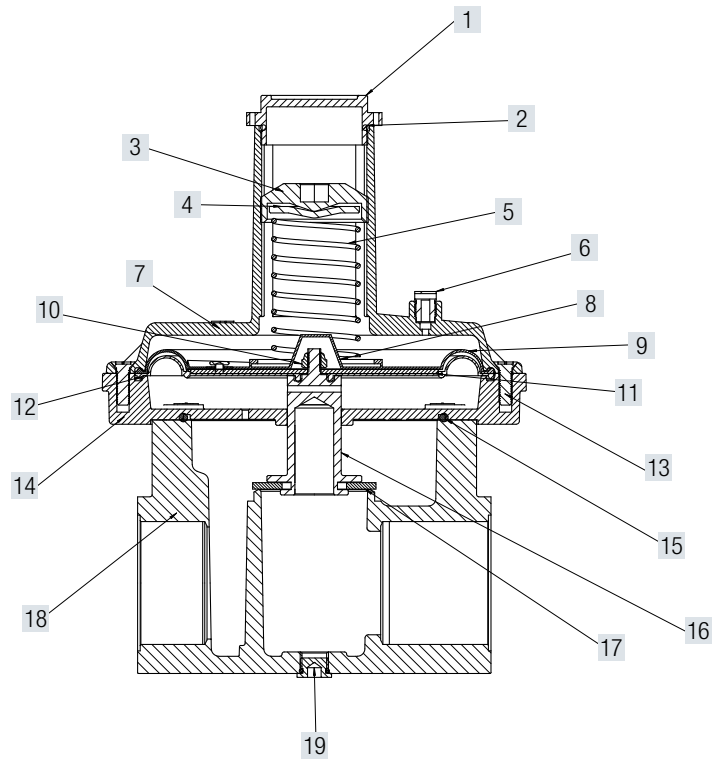
**Diaphragms** NBR 60Sh - DvGW EN 549

**Code:** **Color** **Range mbar**

**SPBK1-1RV** Black 20 - 120 mbar

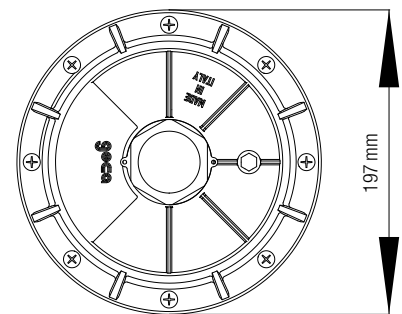
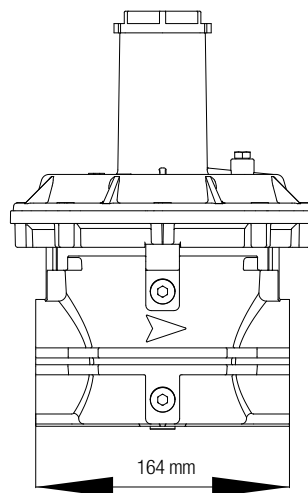
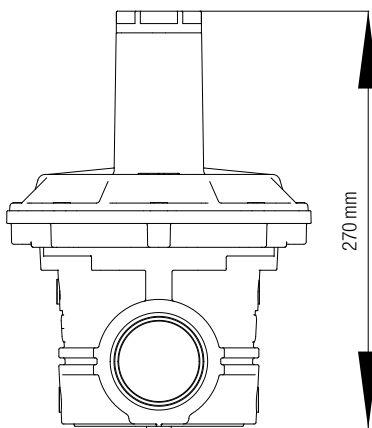
**SPG1-1RV** Green 200 - 600 mbar





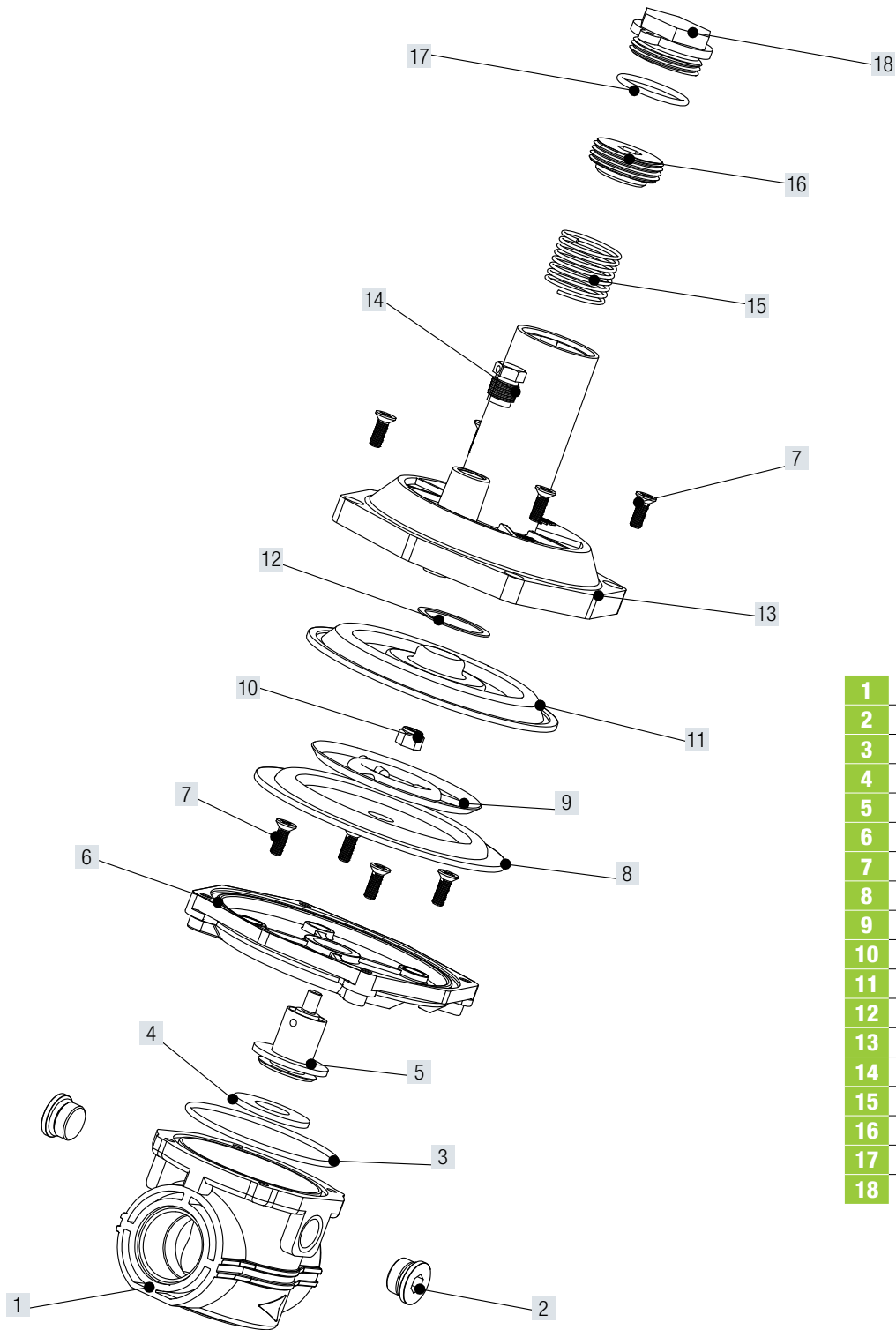
1	Seal cap
2	O ring
3	Spring compressor
4	Washer
5	Spring
6	Vent cap
7	Upper cover
8	Plastic Washer
9	Safety diaphragm
10	Nut

11	Disc
12	Working diaphragm
13	Screws
14	Flange adaptor
15	O ring
16	Shaft
17	Gasket
18	Body
19	Screw plugs



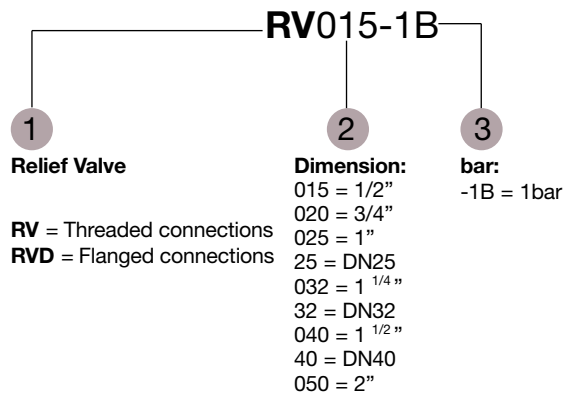
Dimension	1 ¼"	1 ½"	2"
WEIGHT (kgs)	3,4	3,4	3,4

ASSEMBLY OVERVIEW



- |    |                        |
|----|------------------------|
| 1  | Body                   |
| 2  | Screw plugs            |
| 3  | O ring                 |
| 4  | Gasket                 |
| 5  | Shaft                  |
| 6  | Flange adapter         |
| 7  | Screw                  |
| 8  | Compensation Diaphragm |
| 9  | Disc                   |
| 10 | Nut                    |
| 11 | Safety diaphragm       |
| 12 | Washer                 |
| 13 | Upper cover            |
| 14 | Safety vent            |
| 15 | Spring                 |
| 16 | Spring compressor      |
| 17 | O ring                 |
| 18 | Seal cap               |

## CODE DESCRIPTION



## PACKING DIMENSION

Code	Packaging Dimension (LxWxH) cm	Weight (Kg)	Packaging
RV015-1B – RV0201B – RV025-1B	12x12x16	0,7	1 units
RV032-1B – RV040-1B – RV050-1B	23,5x28,5x24	3,8	1 units
RVD32-1B – RVD40-1B – RVD50-1B	27x28x32	6,0	1 units

## *Slam Shut Off Valves – OPSO – Pmax 6 bar*

» Is installed after Filter & before pressure regulator.  
Slam shut off valve close the supply of gas when a downstream pressure exceeds a pre-determined limit.

# Slam Shut Off Valves - OPSO - Pmax 6 bar

SLAM SHUT OFF VALVES  
1/2", 3/4" and 1" – OPSO – Pmax 6 bar p. 190

---

SLAM SHUT OFF VALVES  
1 1/4", 1 1/2" and 2" – OPSO – Pmax 6 bar p. 192

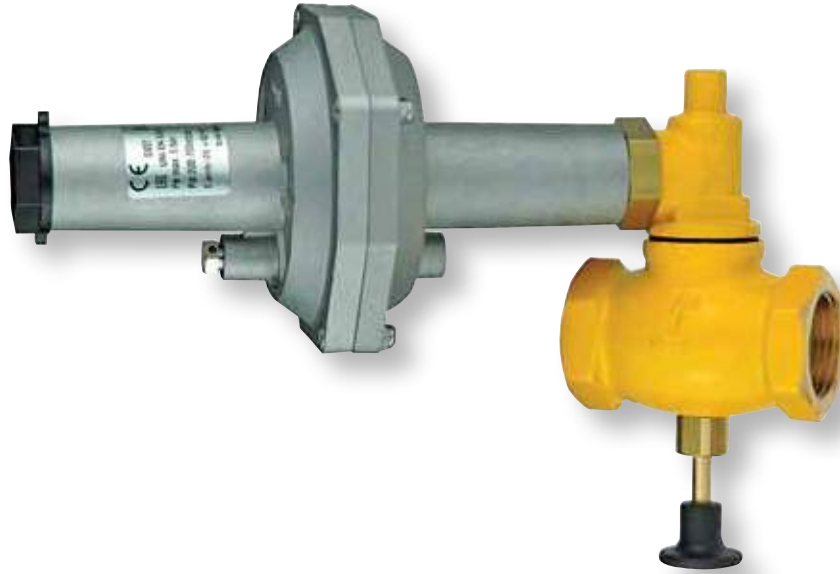
---

SLAM SHUT OFF VALVES  
DN65, DN80, DN100 – OPSO – Pmax 6 bar p. 194

---



**SLAM SHUT OFF VALVES ½", ¾", 1" – OPSO – Pmax 6 bar**



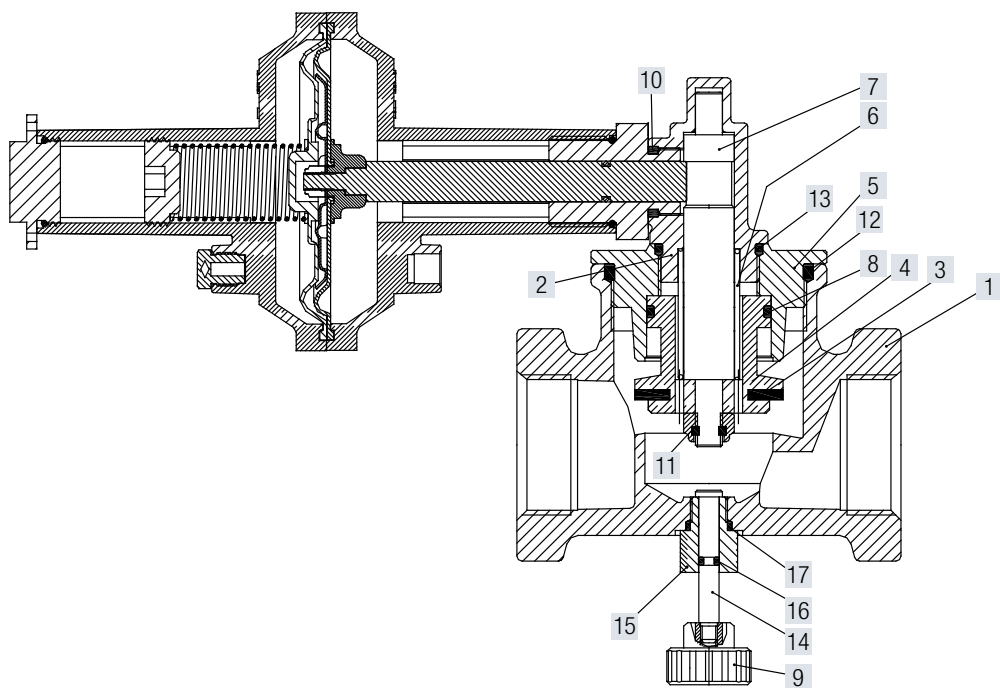
Code	Description	Dimension	Pmax
SV015- 6B - OPSO	Slam shut off valve	½"	6 bar
SV020- 6B - OPSO	Slam shut off valve	¾"	6 bar
SV025- 6B - OPSO	Slam shut off valve	1"	6 bar
SVD25- 6B - OPSO	Slam shut off valve	DN25	6 bar

**TECHNICAL FEATURES**

<b>Pmax</b>	6 bar
<b>Inlet connection</b>	Threaded gas ½", ¾" and 1" - ISO 228
<b>Setting range:</b> <b>Closing time</b>	60 - 700 mbar – Standard spring supplied 200 – 700 mbar <1 second
<b>Use</b>	Non – Aggressive gases – Family 1-2-3 and air
<b>Working Temperature</b>	- 15 °C / + 70 °C
<b>Approval</b>	PED
<b>Protection degree</b>	IP65

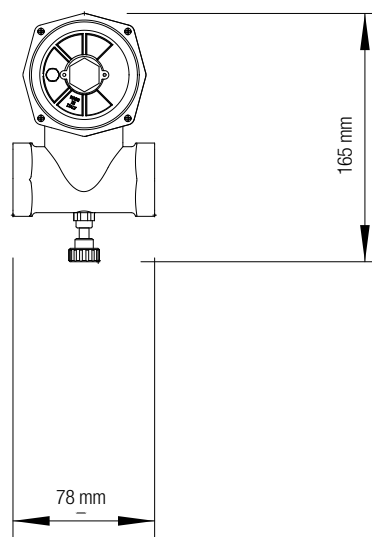
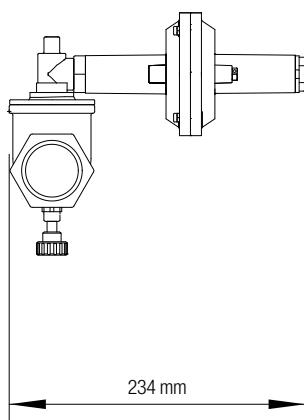
**Materials:**

<b>Body</b>	Brass ST-CW617N – EN 12420 – Yellow Painted
<b>Seals</b>	NBR
<b>Internal components</b>	Brass



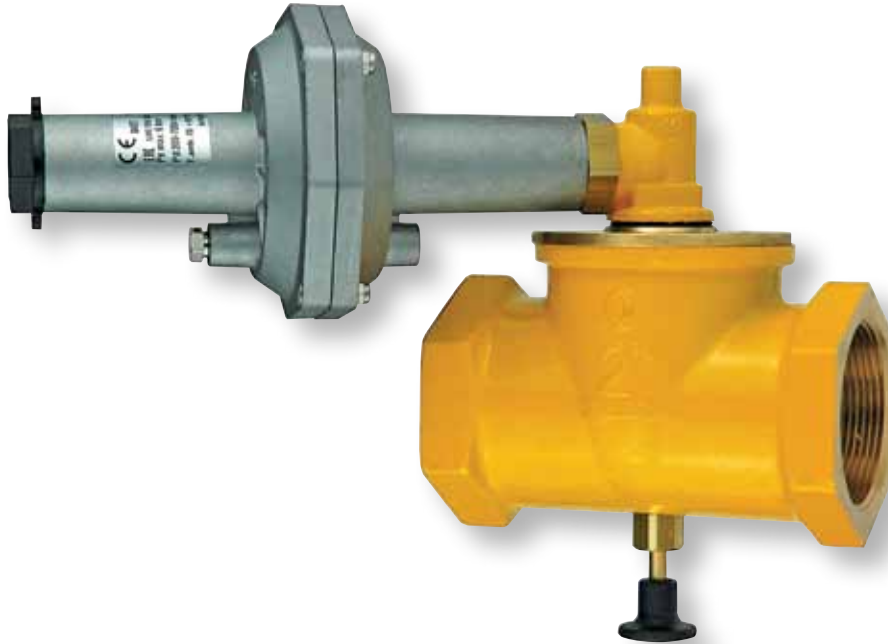
1	Body
2	Upper Body
3	Gasket
4	Insert
5	Ring nut
6	Spring
7	Piston
8	O-Ring
9	Rear handle

10	O-Ring
11	Self-locking nut
12	O-Ring
13	O-Ring
14	Piston
15	Fitting
16	O-Ring
17	O-Ring



Dimension	1/2"	3/4"	1"
WEIGHT (kgs)	1,1	1,05	1,45

**SLAM SHUT OFF VALVES 1 ¼", 1 ½", 2" – OPSO – Pmax 6 bar**



Code	Description	Dimension	Pmax
SV032-6B-OPSO	Slam shut off valve	1 ¼"	6 bar
SV040-6B-OPSO	Slam shut off valve	1 ½"	6 bar
SV050-6B-OPSO	Slam shut off valve	2"	6 bar

Code	Description	Dimension	Pmax
SVD32-6B-OPSO	Slam shut off valve	DN32	6 bar
SVD40-6B-OPSO	Slam shut off valve	DN40	6 bar
SVD50-6B-OPSO	Slam shut off valve	DN50	6 bar

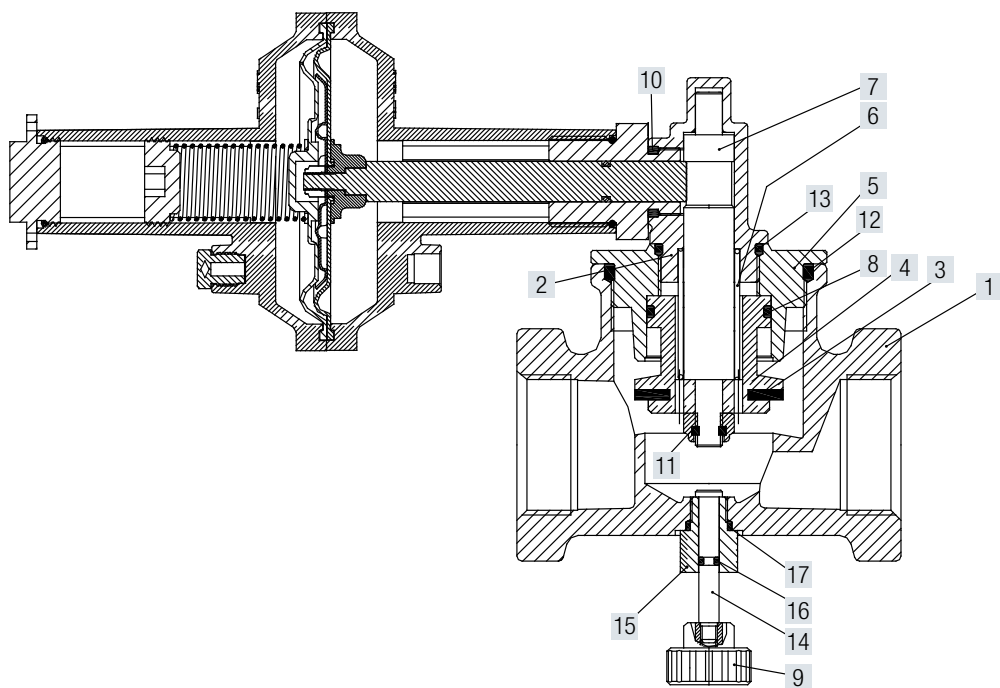
**TECHNICAL FEATURES**

<b>Pmax</b>	6 bar
<b>Inlet connection</b>	Threaded gas 1 ¼", 1 ½", 2" – ISO228
<b>Setting range:</b> <b>Closing time</b>	60 - 700 mbar – Standard spring supplied 200 – 700 mbar <1 second
<b>Use</b>	Non – Aggressive gases – Family 1-2-3 and air
<b>Working Temperature</b>	- 15 °C / + 70 °C
<b>Approval</b>	PED
<b>Protection degree</b>	IP65

**Materials:**

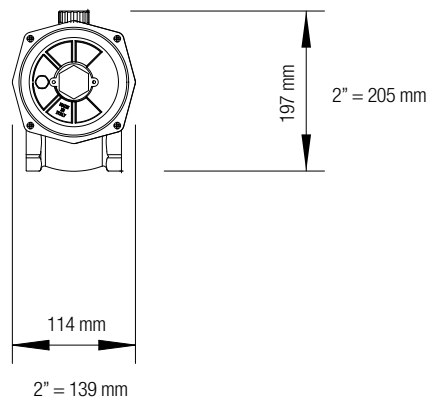
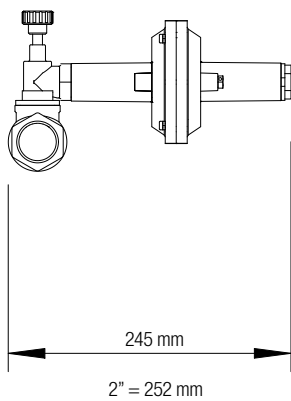
<b>Body</b>	Brass ST-CW617N – EN 12420 – Yellow Painted
<b>Seals</b>	NBR
<b>Internal components</b>	Brass





1	Body
2	Upper Body
3	Gasket
4	Insert
5	Ring nut
6	Spring
7	Piston
8	O-Ring
9	Rear handle

10	O-Ring
11	Self-locking nut
12	O-Ring
13	O-Ring
14	Piston
15	Fitting
16	O-Ring
17	O-Ring



Dimension	1 1/4"	1 1/2"	2"
WEIGHT (kgs)	2,85	2,65	3,80

**SLAM SHUT OFF VALVES DN65, DN80, DN100 – OPSO – Pmax 6 bar**



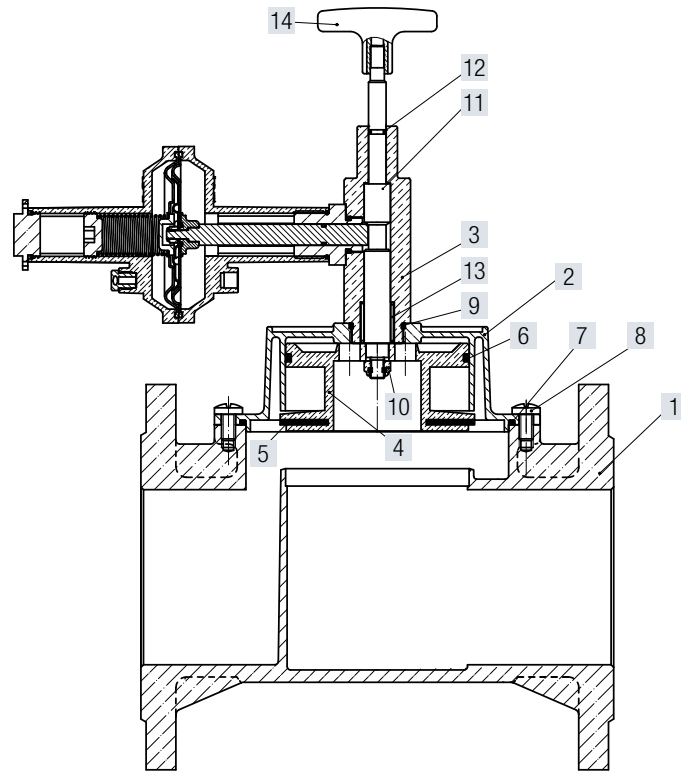
Code	Description	Dimension	Pmax
<b>SVD65-6B-OPSO</b>	Slam shut off valve	DN65	6 bar
<b>SVD80-6B-OPSO</b>	Slam shut off valve	DN80	6 bar
<b>SVD100-6B-OPSO</b>	Slam shut off valve	DN100	6 bar

**TECHNICAL FEATURES**

<b>Pmax</b>	6 bar
<b>Inlet connection</b>	Flanged DN65 , DN80 , DN100 – PN16
<b>Setting range:</b> <b>Closing time</b>	60 - 700 mbar – Standard spring supplied 200 – 700 mbar <1 second
<b>Use</b>	Non – Aggressive gases – Family 1-2-3 and air
<b>Working Temperature</b>	- 15 °C / + 70 °C
<b>Approval</b>	PED
<b>Protection degree</b>	IP65

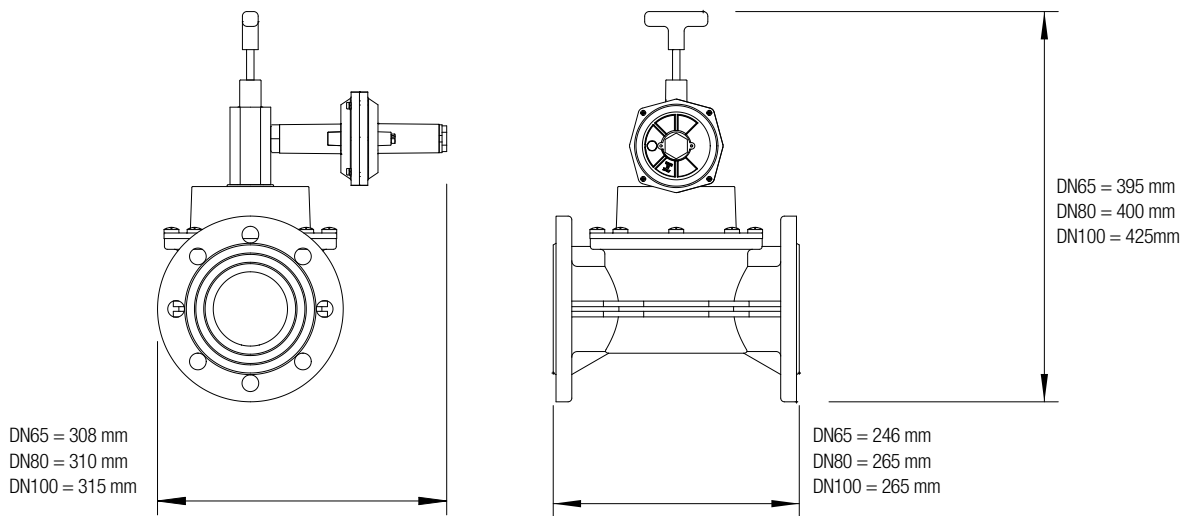
*Materials:*

<b>Body</b>	Aluminium EN AC 43100
<b>Seals</b>	NBR
<b>Internal componentes</b>	Brass



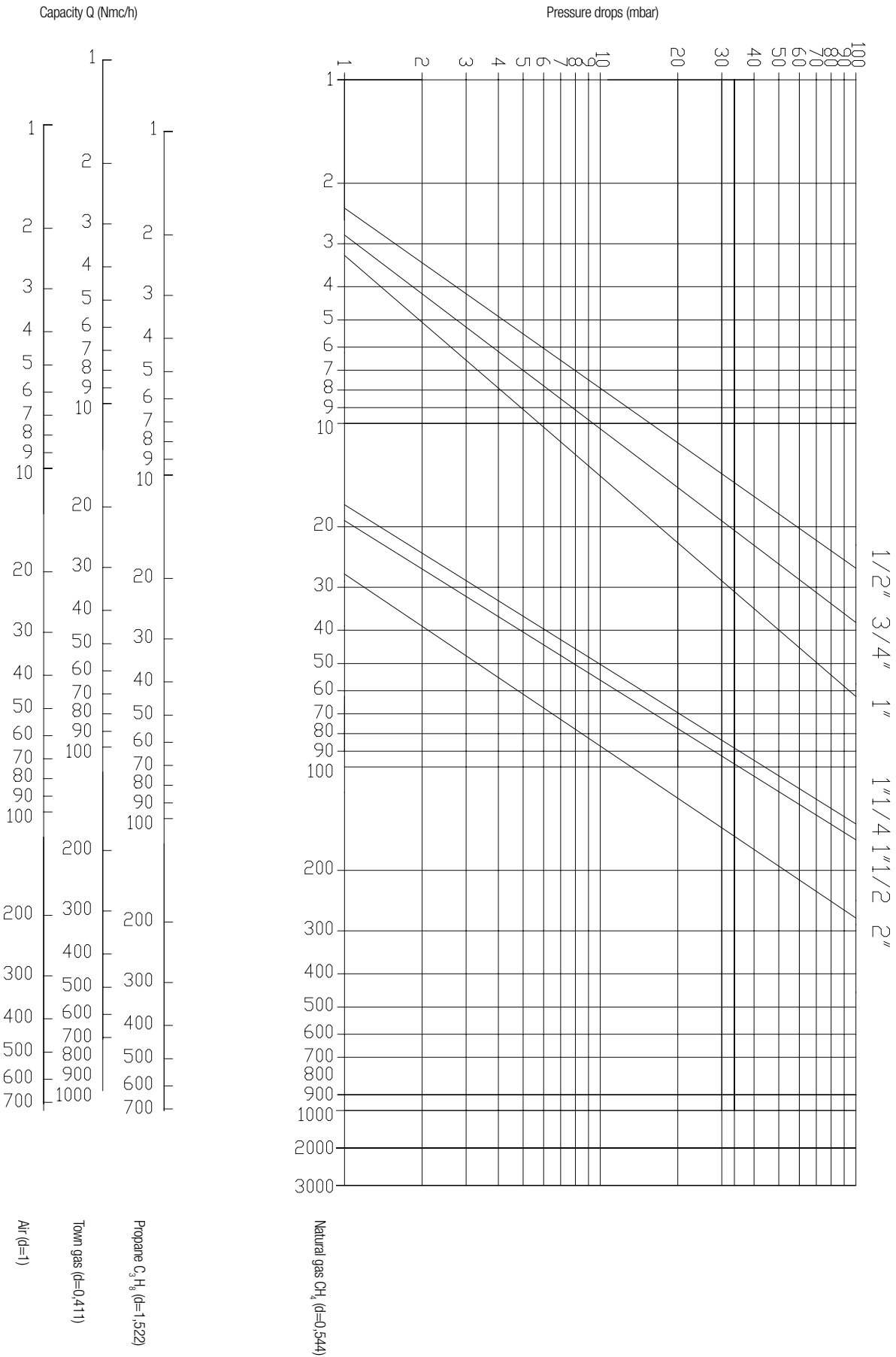
1	Body
2	Cap
3	Fitting
4	Insert
5	Gasket
6	O-Ring
7	O-Ring

8	Screws
9	O-Ring
10	Self-locking
11	Piston
12	O-Ring
13	Spring
14	Rearm handle

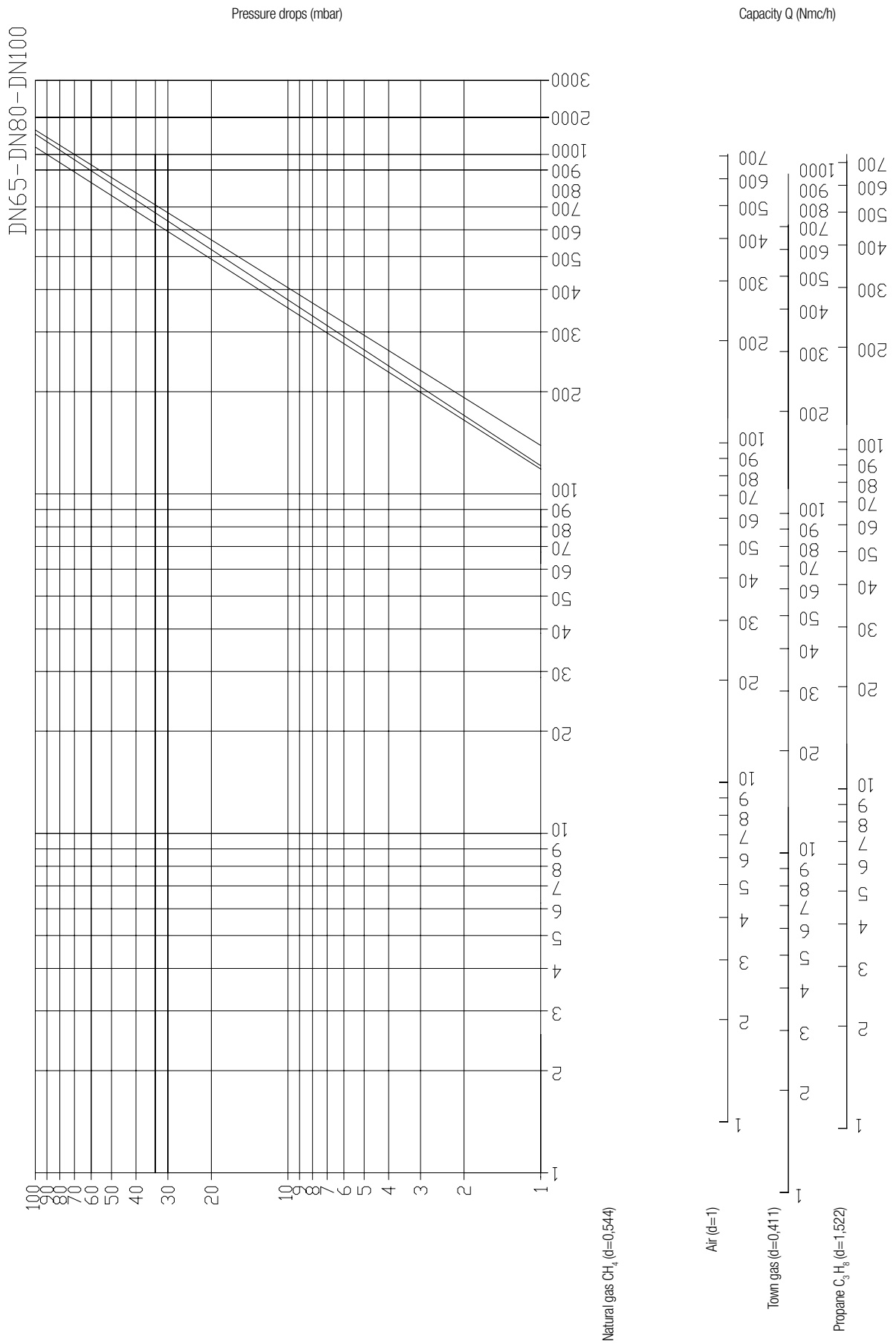


Dimension	DN65	DN80	DN100
WEIGHT (kgs)	11,23	12,65	13,12

Slam Shut off valve 1/2" to 2"



# Slam Shut off valve DN65 to DN100



## CODE DESCRIPTION

**SV015-6B-OPSO**

1 2 3 4

<p><b>1 SLAM SHUT OFF VALVE:</b></p> <p>SV = Threaded connections SVD=Flanged connections</p>	<p><b>2 DIMENSIONS:</b></p> <p>025= 1" 25= DN25 032= 1 1/4" 32= DN32 040= 1 1/2" 40= DN40 050= 2" 50= DN50 65= DN65 80= DN80 100= DN100</p>
<p><b>3 bar:</b></p> <p>-6B = 6bar</p>	<p><b>4 MAXIMUM PRESSURE</b></p> <p>OPSO = 200 - 700mbar</p>

## INSTALLATION

This component must be installed in accordance with current laws. Before commencing installation make sure that the gas has been shut off. The slam shut off valves must be installed in a horizontal position with a maximum angle of 90° and with the arrow printed on the body facing the user. Read the instruction leaflet carefully before use. If the slam shut off valves are installed following all the indications in the following document they do not represent a source of danger. Only in certain failure conditions can the slam shut off valves release flammable substances into the environment. If the valves are installed in a poorly ventilated environment we recommend removing the protective cap and connecting a small pipe with a M10X1 connection. Position the other end of the pipe outside the room. In this case the escaping gas will be expelled outside. Before installation, check that the network pressure is not higher than maximum pressure that the slam shut off valve can withstand. The slam shut off valves must be installed upstream from the pressure regulator (Fig.1). The arrow printed on the body of the slam shut off valve must always be positioned facing the user. Connect the impulse line inlet (Fig.1) of the slam shut off valve with a copper tube using a G 1/8" connection which must then be connected to the piping downstream of the pressure regulator as shown in figure 1. Make sure that no shavings or waste have been left inside the network pipeline. Carefully check the connections made and test the seal of the system.

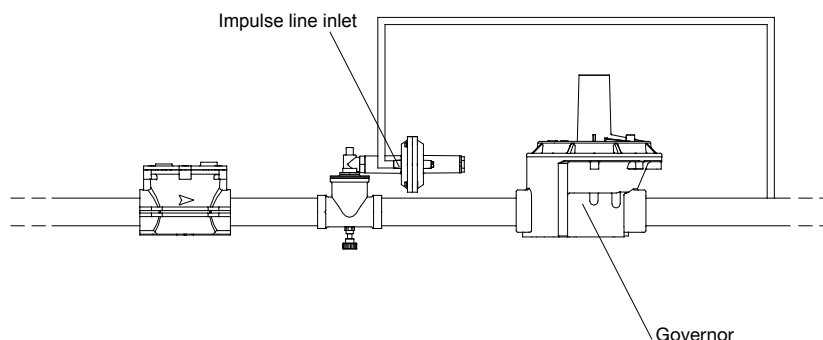
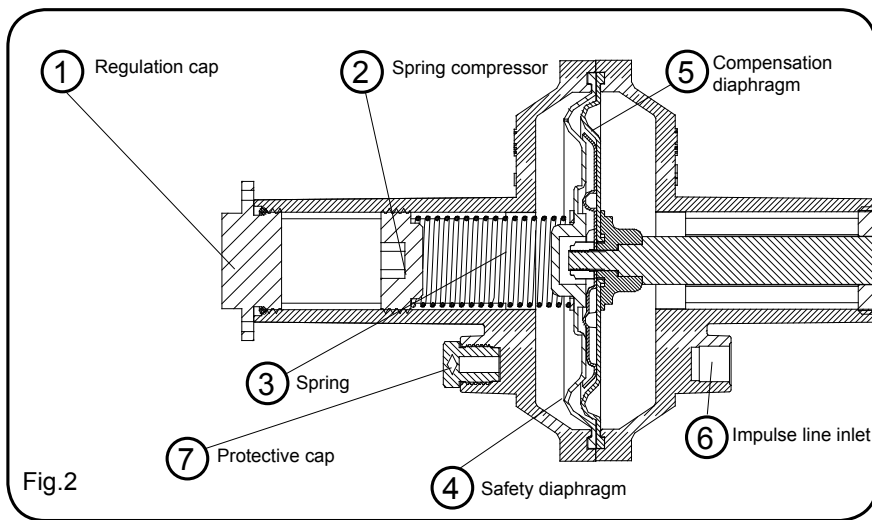


Fig.1

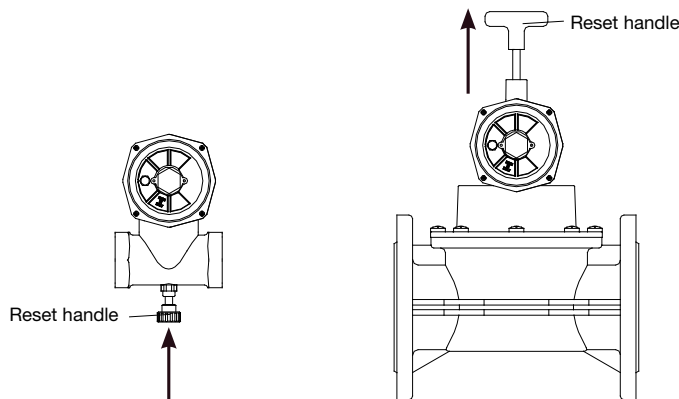
## PRESSURE SETTINGS

Unscrew the regulation cap (1) to access the spring compressor (2) Fig.2. The outlet pressure is regulated by rotating the spring presser. Using a 10mm Allen key turn the spring presser clockwise to increase the pressure and anti-clockwise to reduce the pressure. After completing the regulation screw back the regulation cap.



## MANUAL RESET

Make sure the flow downstream from the valve has been closed. For models (1", DN25, 1"1/4, DN32, 1"1/2, 2") (Fig.3a) push the rearm handle, for the flanged models (DN50, DN65, DN100) (Fig.3b) pull the rearm handle.



## *Jerk Valves*

»» The Jerk Handle Valves are manually operated valves that allow the passage inside the piping while minimizing the pressure losses. With the possibility of remote interception operation; the closing operation is faster and safer than traditional ball valves.



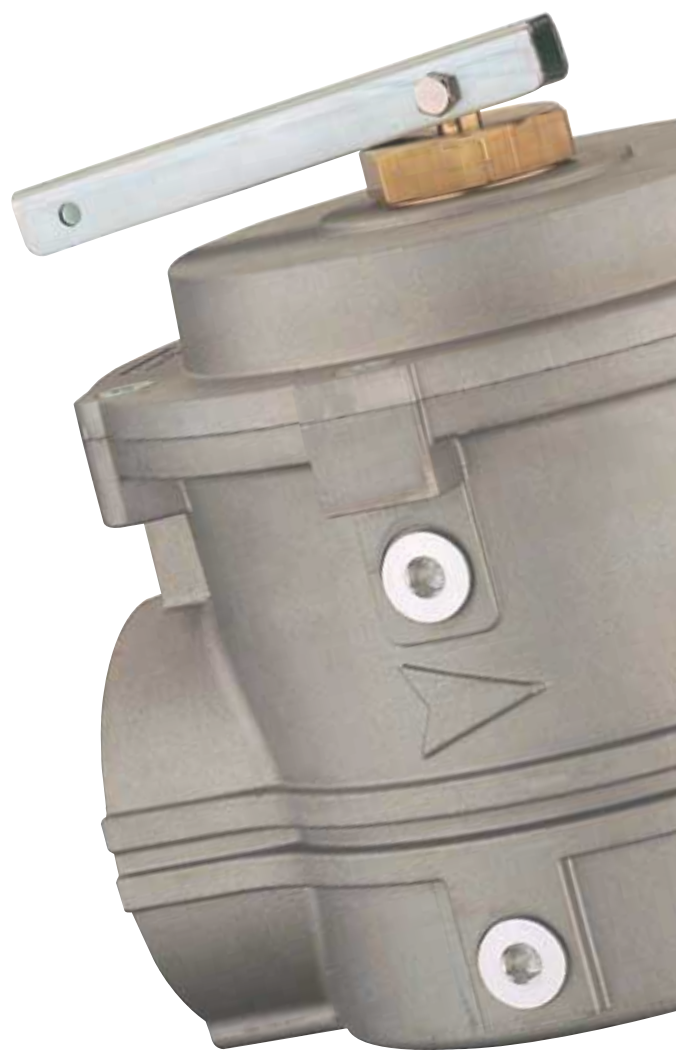
# Jerk Valves

JERK VALVES 1/2", 3/4", 1" – Pmax 6 bar

p. 202

JERK VALVES 1 1/4", 1 1/2", 2" – Pmax 6 bar

p. 204



**JERK VALVES ½", ¾", 1" – Pmax 6 bar**



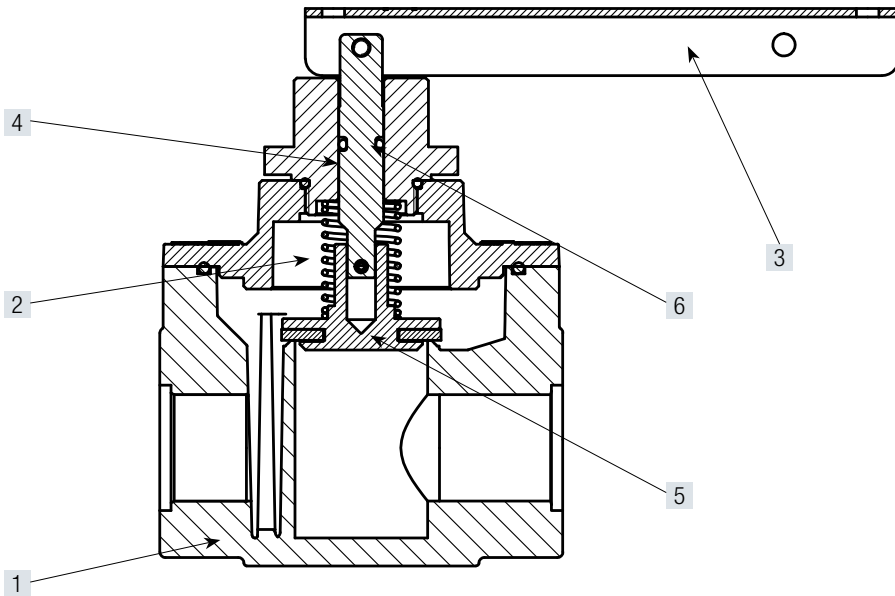
Code	Description	Dimension	Pmax
JV015-6B	Jerk on/off valve	½"	6 bar
JV020-6B	Jerk on/off valve	¾"	6 bar
JV025-6B	Jerk on/off valve	1"	6 bar
JVD25-6B	Jerk on/off valve	DN25	6 bar

**TECHNICAL FEATURES**

<b>Pmax</b>	6 bar / available version 10 bar
<b>Inlet connection</b>	Threaded gas ½", ¾" and 1" - ISO 228
<b>Closing time</b>	<1 second
<b>Use</b>	Non – Aggressive gases – Family 1-2-3 and air
<b>Working Temperature</b>	- 15 °C / + 70 °C
<b>Approval</b>	PED
<b>Protection degree</b>	IP65

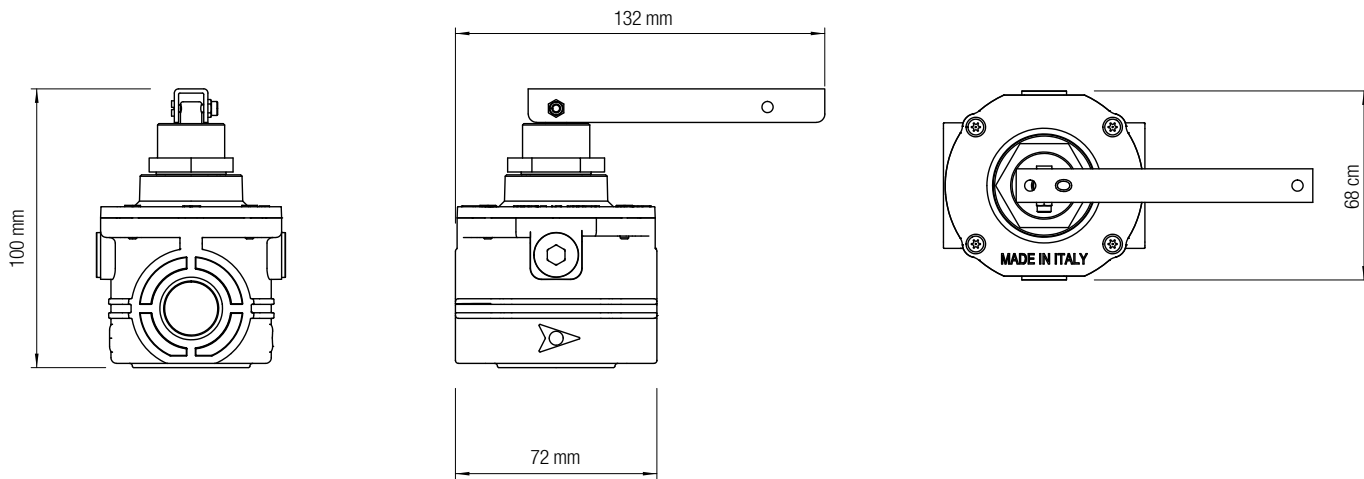
**Materials:**

<b>Body</b>	Die - Cast Aluminium Gd-AISi12Cu -EN AB 46100
<b>Seals</b>	NBR
<b>Handle</b>	Stainless steel
<b>Internal parts</b>	Aluminim and brass



- 1** Body
- 2** Spring
- 3** Handle

- 4** Shaft
- 5** Obtuator
- 6** O-Ring



Dimension	1/2"	3/4"	1"
WEIGHT (kgs)	0,422	0,413	0,400

**JERK VALVES 1 ¼", 1 ½", 2" – Pmax 6 bar**



Code	Description	Dimension	Pmax
JV032-6B	Jerk on/off valve	1 ¼"	6 bar
JV040-6B	Jerk on/off valve	1 ½"	6 bar
JV050-6B	Jerk on/off valve	2"	6 bar
JVD32-6B	Jerk on/off valve	DN32	6 bar
JVD40-6B	Jerk on/off valve	DN40	6 bar
JVD50-6B	Jerk on/off valve	DN50	6 bar

**TECHNICAL FEATURES**

**Pmax** 6 bar / available version 10 bar

**Inlet connection** Threaded gas 1 ¼", 1 ½" and 2" - ISO 228

**Closing time** <1 second

**Use** Non – Aggressive gases – Family 1-2-3 and air

**Working Temperature** - 15 °C / + 70 °C

**Approval** PED

**Protection degree** IP65

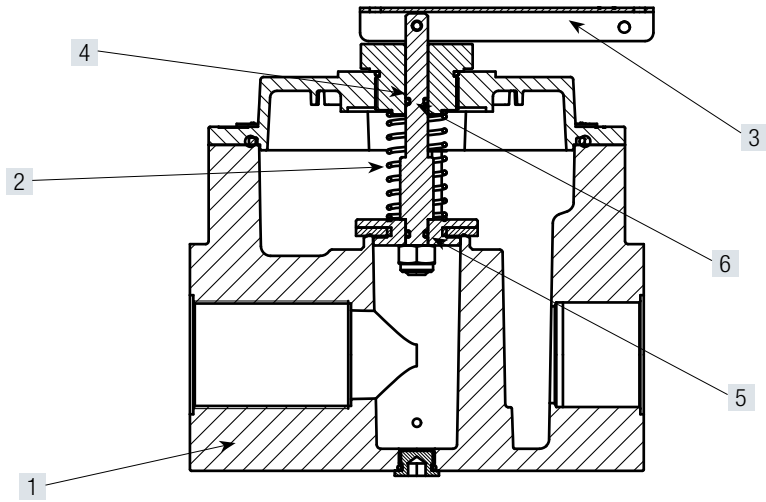
**Materials:**

**Body** Die- Cast Aluminium Gd-AlSi12Cu - EN AB 46100

**Seals** NBR

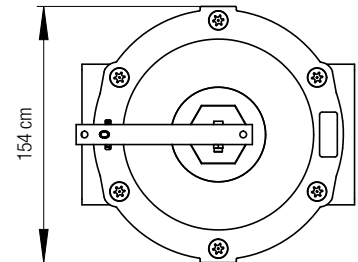
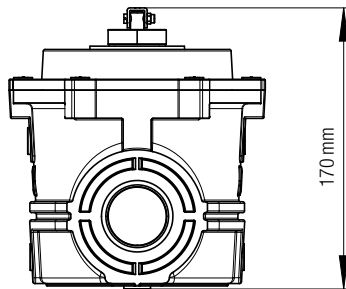
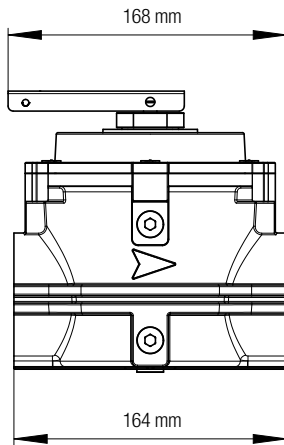
**Handle** Stainless steel

**Internal parts** Aluminim and brass



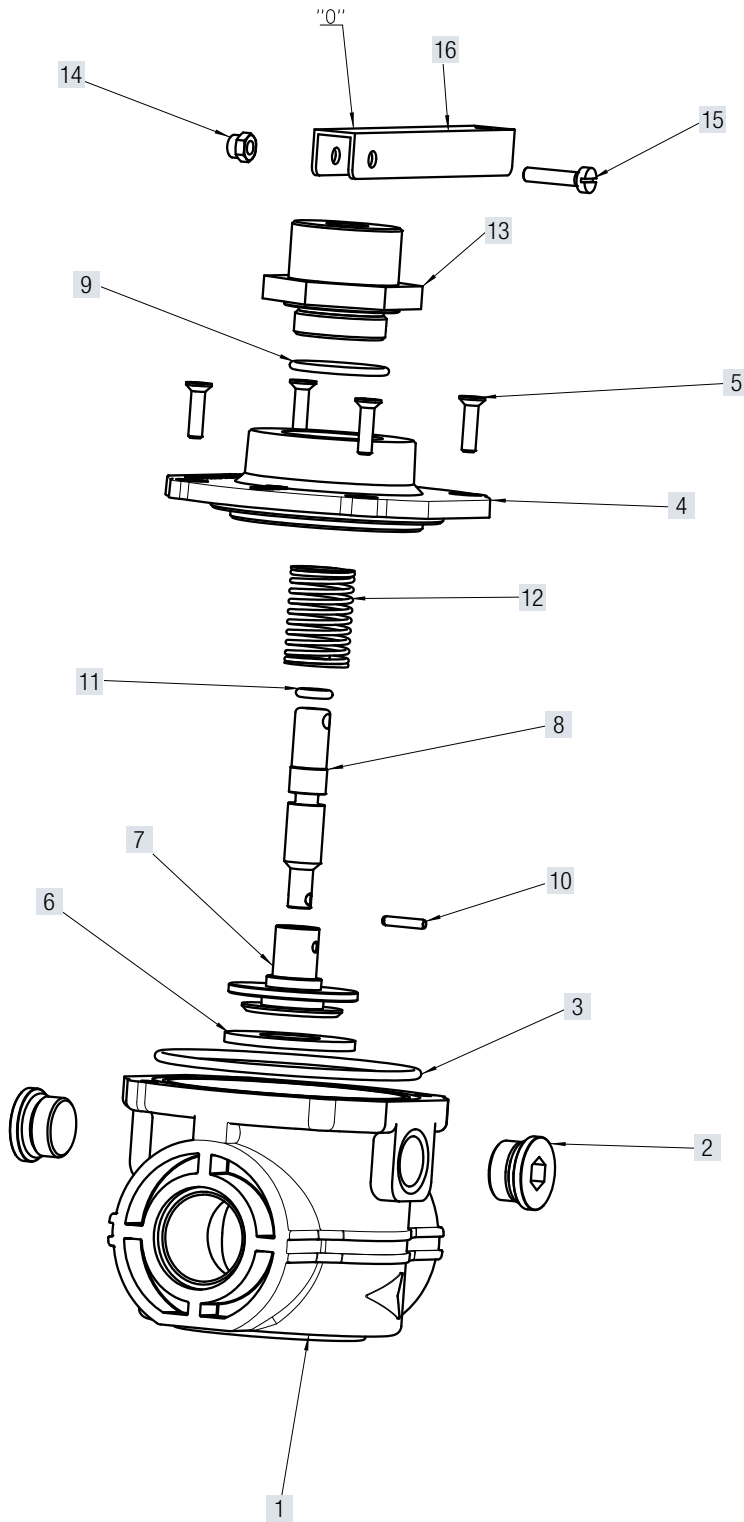
1	Body
2	Spring
3	Handle

4	Shaft
5	Obturator
6	O-Ring



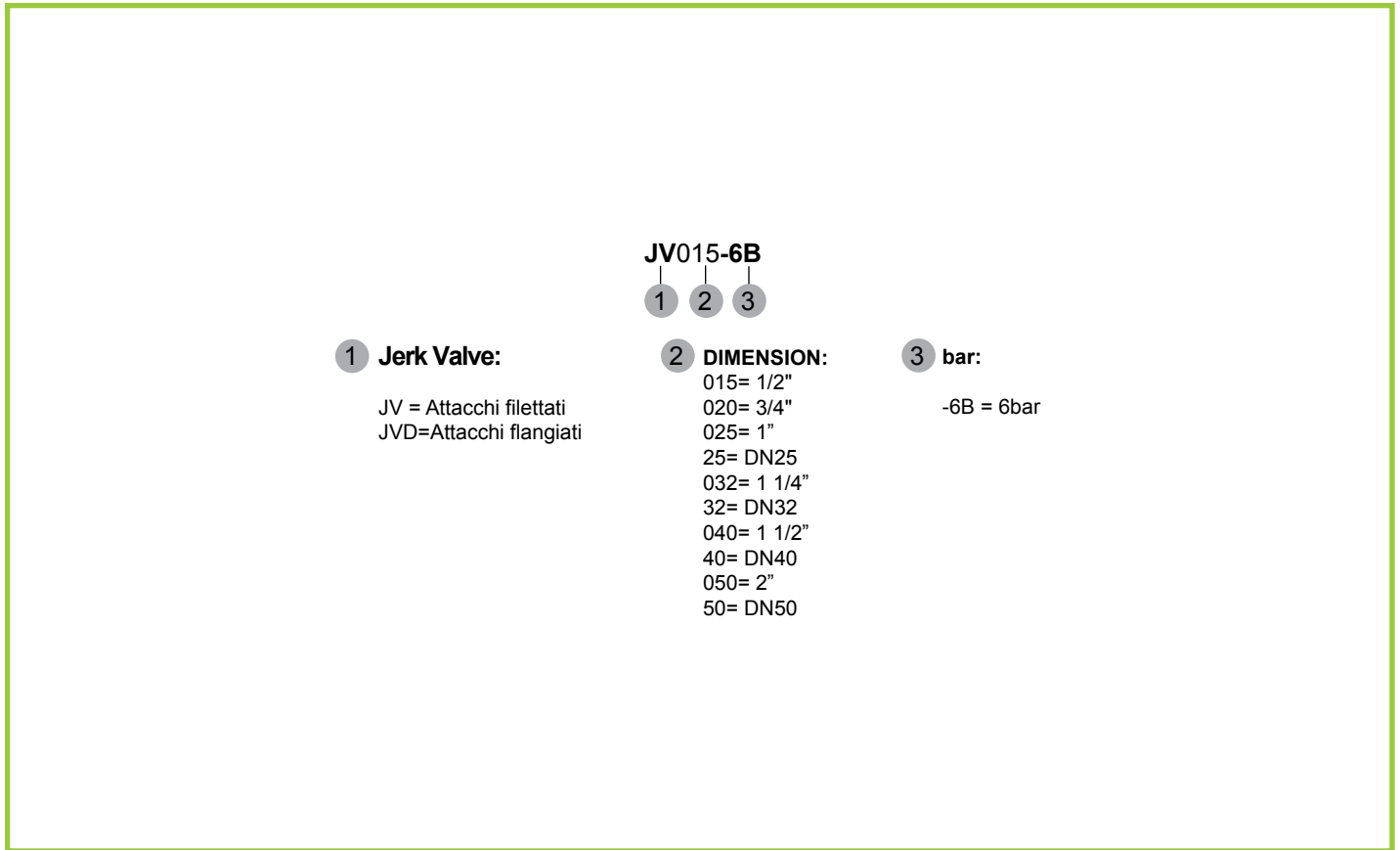
Dimension	1 ¼"	1 ½"	2"
WEIGHT (kgs)	2,845	2,925	3,045

ASSEMBLY OVERVIEW



1	Body
2	Screw plugs
3	O-ring
4	Cover
5	Screw
6	Gasket
7	Shutter plate
8	Rod
9	O-ring
10	Spine
11	O-ring
12	Spring
13	Fitting hex
14	Nut Lock
15	Screw
16	Lever

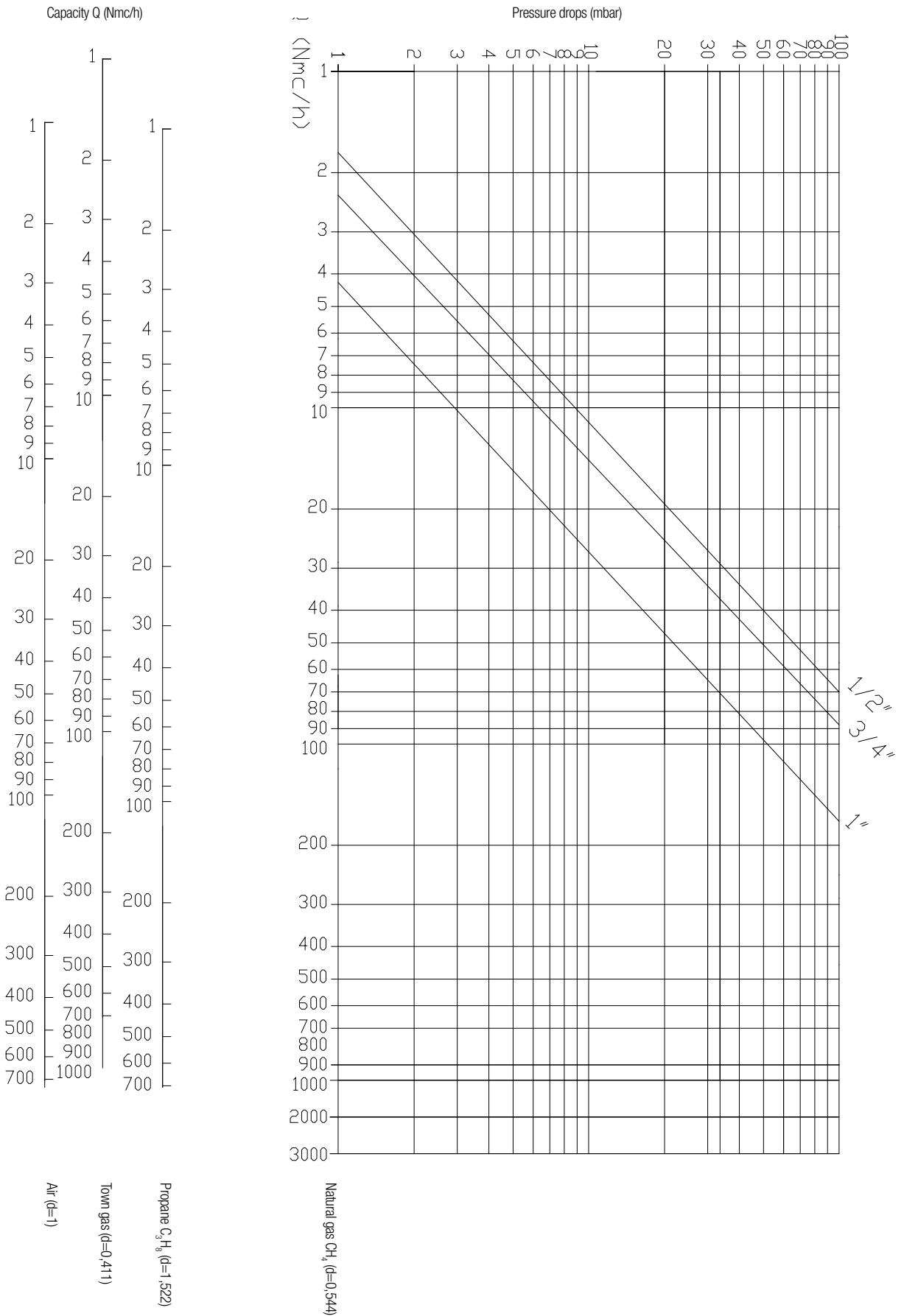
## CODE DESCRIPTION



## PACKING DIMENSION

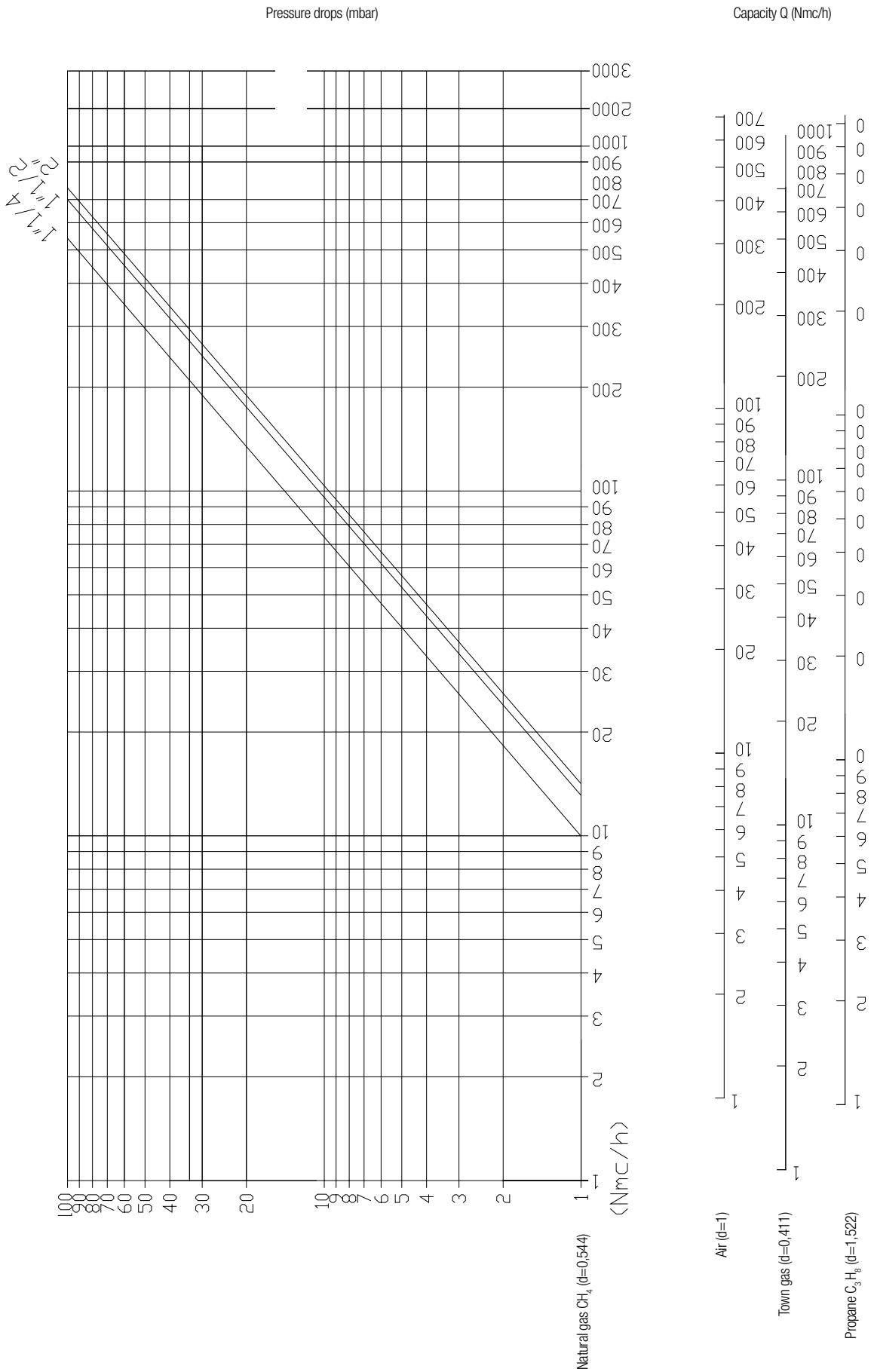
Code	Packaging Dimension (LxWxH) cm	Weight (Kg)	Packaging
JV015 - JV020 - JV025	18x7x10	0,5	1 units
JV032 - JV040 - JV050	16,5x16x26	3,2	1 units

JERK VALVES 1/2", 3/4", 1" – Pmax 6 bar





# JERK VALVES 1 ¼", 1 ½", 2" – Pmax 6 bar



## *Gas solenoid valves manual reset - Normally open*

» GAS Solenoid Valves have been designed to be combined with any gas detection system. Shut off the main outlet when an emergency situation is detected. They have been installed at the gas piping and connected with a gas detector. Interrupt the gas flow in a danger situation.

The electro-valve is normally located after a filter, upstream of the regulation apparatus and preferably outside the measurement zone. It has been installed with the arrow stamped on the body turned towards the user appliance.



# Gas solenoid valves manual reset

**GAS SOLENOID VALVE - Manual reset - Normally open - 550 mbar** p. 212  
1/2" - 3/4" - 1" - 1 1/4" - 1 1/2" - 2"

---

**GAS SOLENOID VALVE - Manual reset - Normally open - 550 mbar** p. 214  
DN65 - DN80 - DN100

---

**GAS SOLENOID VALVE - Manual reset - Normally open - 6 bar** p. 216  
1/2" - 3/4" - 1" - 1 1/4" - 1 1/2" - 2"

---

**GAS SOLENOID VALVE - Manual reset - Normally open - 6 bar** p. 218  
DN65 - DN80 - DN100

---



**GAS SOLENOID VALVE - Manual reset - Normally open - 550 mbar -  
1/2" - 3/4" - 1" - 1 1/4" - 1 1/2" - 2**



Code	Description	Dimension	Type	Pmax
36700450	Manual solenoid valve	1/2"	NO	550 mbar
36710452	Manual solenoid valve	3/4"	NO	550 mbar
36720454	Manual solenoid valve	1"	NO	550 mbar
36730583	Manual solenoid valve	1 1/4"	NO	550 mbar
36740584	Manual solenoid valve	1 1/2"	NO	550 mbar
36750585	Manual solenoid valve	2"	NO	550 mbar

**TECHNICAL FEATURES**

**Power supply** 230 Vac – 24 Vcc/Vac – 12 Vcc/Vac – 110 Vac

**Body** Brass ST-CW617N – EN 12420 – Yellow Painted

**Working temperature** -15°C / +70°C

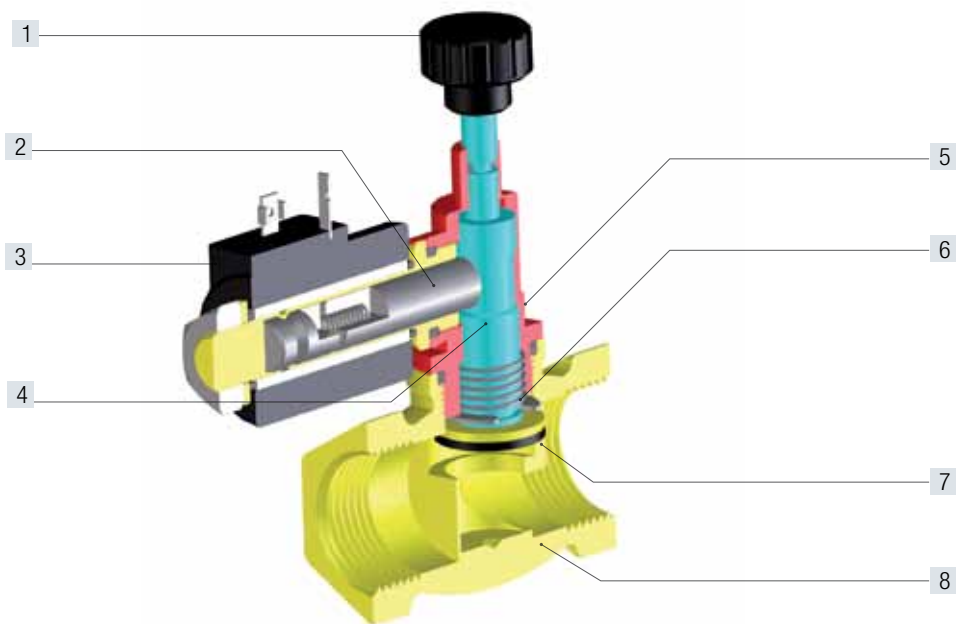
**Closing time** < 1 sec

**Max. pressure** 550 mbar

**Protection level** IP65

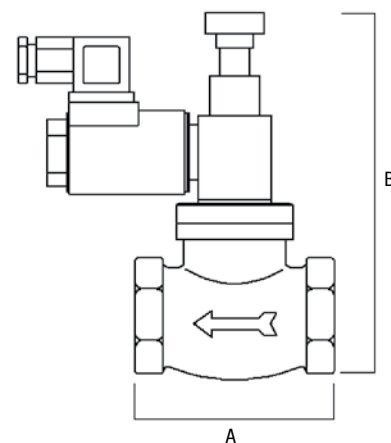
**Connections** Thread 1/2", 3/4", 1", 1 1/4", 1 1/2", 2" - ISO 228/1 Threads

**Approval** PED / EAC  
Atex - II 3G Ex nA IIC T4 Gc



1	Reset knob
2	Magnetic shaft
3	Coil
4	Shaft
5	Upper body
6	Spring
7	Obturator
8	Body

Dimension	Flow (mc/H)	Power	A (mm)	B (mm)	Approvals	Power supply
1/2"	4,5	19 W	65	125	Dir. 97/23/CE (PED)	12Vcc
1/2"	4,5	17 VA	65	125	Dir. 97/23/CE (PED)	230Vac
3/4"	6	19 W	65	125	Dir. 97/23/CE (PED)	12Vcc
3/4"	6	17 W	65	125	Dir. 97/23/CE (PED)	230Vac
1"	13	19 W	78	130	Dir. 97/23/CE (PED)	12Vcc
1"	13	17 VA	78	174	Dir. 97/23/CE (PED)	230Vac
1" 1/4	40	19 W	114	174	Dir. 97/23/CE (PED)	12Vcc
1" 1/4	40	17 VA	114	174	Dir. 97/23/CE (PED)	230Vac
1" 1/2	50	19 W	114	174	Dir. 97/23/CE (PED)	12Vcc
1" 1/2	50	17 VA	114	174	Dir. 97/23/CE (PED)	230Vac
2"	80	19 W	139	182	Dir. 97/23/CE (PED)	12Vcc
2"	80	17 VA	139	182	Dir. 97/23/CE (PED)	230Vac



**GAS SOLENOID VALVE - Manual reset - Normally open - 550 mbar - DN65 - DN80 - DN100**



Code	Description	Dimension	Type	Pmax
36760699	Manual solenoid valve	DN65	NO	550 mbar
36770701	Manual solenoid valve	DN80	NO	550 mbar
36780703	Manual solenoid valve	DN100	NO	550 mbar

**TECHNICAL FEATURES**

**Power supply** 230 Vac – 24 Vac – 12 Vac

**Body** Aluminium EN AC 43100

**Working temperature** -15°C / +70°C

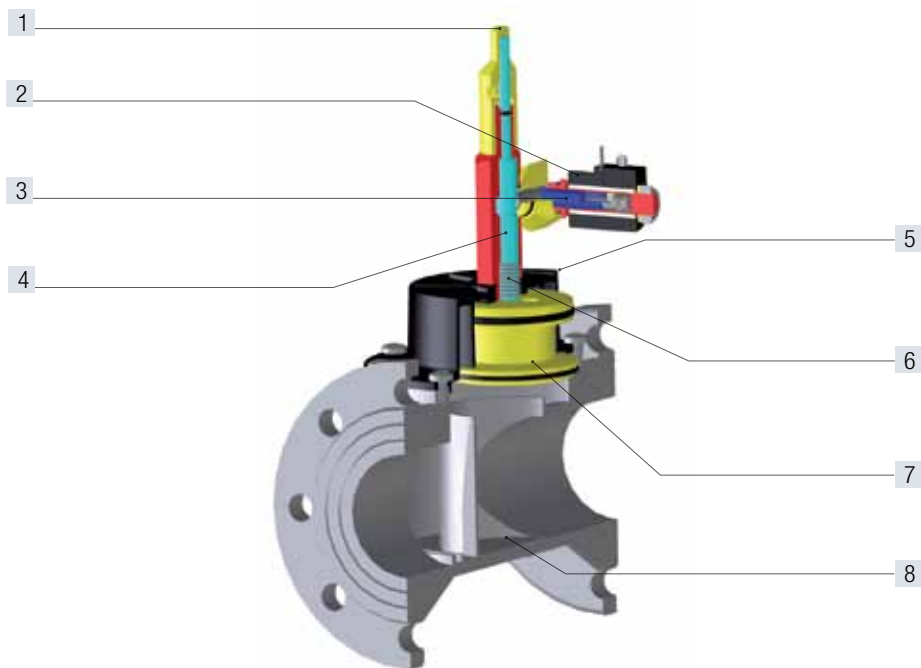
**Closing time** < 1 sec

**Max. pressure** 550 mbar

**Protection level** IP65

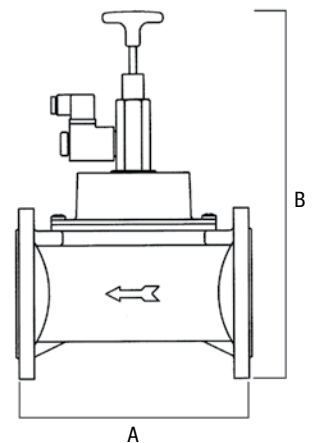
**Connections** flanged UNI 2223 - PN16

**Approval** PED / EAC  
Atex - II 3G Ex nA IIC T4 Gc



1	Reset knob
2	Coil
3	Magnetic shaft
4	Shaft
5	Upper body
6	Spring
7	Obturator
8	Body

Dimension	Flow (mc/H)	Power	A (mm)	B (mm)	Approvals	Power supply
DN65 2" ½	170	19 W	246	395	Dir.97/23/CE (PED)	12Vcc
DN65 2" ½	170	17 VA	246	395	Dir.97/23/CE (PED)	230Vac
DN80 3"	170	19 W	265	395	Dir.97/23/CE (PED)	12Vcc
DN80 3"	170	17 VA	265	395	Dir.97/23/CE (PED)	230Vac
DN100 4"	280	19 W	265	420	Dir.97/23/CE (PED)	12Vcc
DN100 4"	280	17 VA	265	420	Dir.97/23/CE (PED)	230Vac



**GAS SOLENOID VALVE - Manual reset - Normally open - 6 bar -  
1/2" - 3/4" - 1" - 1 1/4" - 1 1/2" - 2"**

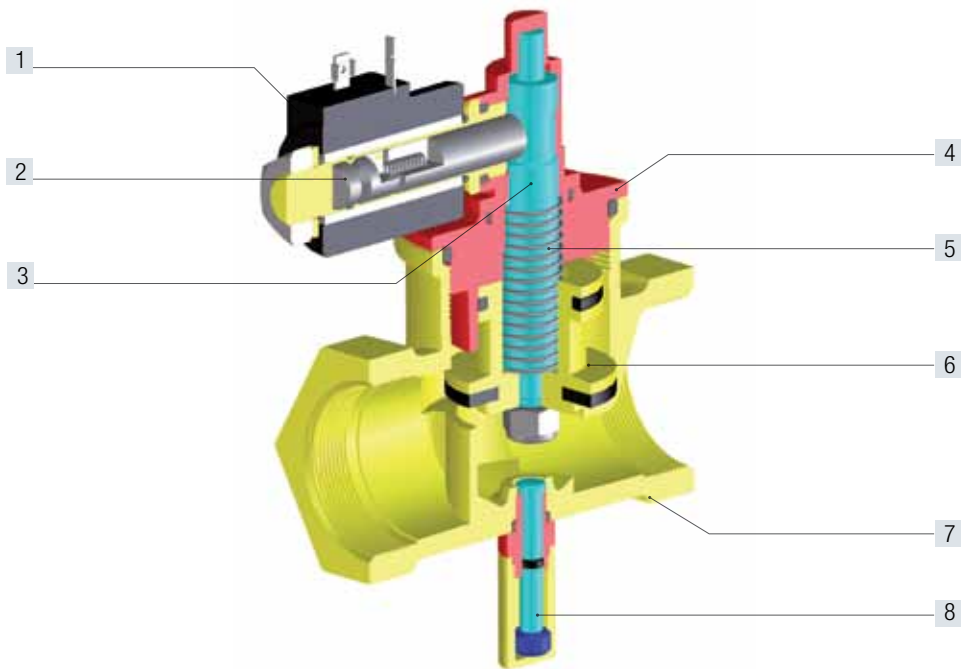


Code	Description	Dimension	Type	Pmax
36700722	Manual solenoid valve	1/2"	NO	6 bar
36710724	Manual solenoid valve	3/4"	NO	6 bar
36720726	Manual solenoid valve	1"	NO	6 bar
36730728	Manual solenoid valve	1 1/4"	NO	6 bar
36740730	Manual solenoid valve	1 1/2"	NO	6 bar
36750732	Manual solenoid valve	2"	NO	6 bar

**TECHNICAL FEATURES**

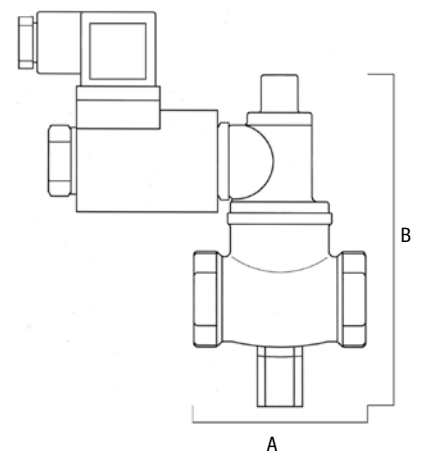
<b>Power supply</b>	230 Vca – 24 Vcc/Vca – 12 Vcc/Vca – 110 Vac
<b>Body</b>	Brass ST-CW617N – EN 12420 – Yellow Painted
<b>Working temperature</b>	-15°C / +70°C
<b>Closing time</b>	< 1 sec
<b>Max. pressure</b>	6 bar
<b>Protection level</b>	IP65
<b>Connections</b>	Thread 1/2", 3/4", 1", 1" 1/4, 1" 1/2", 2" - ISO 228/1 Threads
<b>Approval</b>	PED / EAC Atex - II 3G Ex nA IIC T4 Gc





1	Coil
2	Magnetic shaft
3	Shaft
4	Upper body
5	Spring
6	Obturator
7	Body
8	Reset knob

Dimension	Flow (mc/H)	Power	A (mm)	B (mm)	Approvals	Power supply
1/2"	4,5	19 W	65	165	Dir. 97/23/CE (PED)	12Vcc
1/2"	4,5	17 VA	65	165	Dir. 97/23/CE (PED)	230Vac
3/4"	6	19 W	65	165	Dir. 97/23/CE (PED)	12Vcc
3/4"	6	17 VA	65	165	Dir. 97/23/CE (PED)	230Vac
1"	13	19 W	78	170	Dir. 97/23/CE (PED)	12Vcc
1"	13	17 VA	78	170	Dir. 97/23/CE (PED)	230Vac
1 1/4"	40	19 W	114	195	Dir. 97/23/CE (PED)	12Vcc
1 1/4"	40	17 VA	114	195	Dir. 97/23/CE (PED)	230Vac
1 1/2"	50	19 W	114	195	Dir. 97/23/CE (PED)	12Vcc
1 1/2"	50	17 VA	114	195	Dir. 97/23/CE (PED)	230Vac
2"	80	19 W	139	200	Dir. 97/23/CE (PED)	12Vcc
2"	80	17 VA	139	200	Dir. 97/23/CE (PED)	230Vac



**GAS SOLENOID VALVE - Manual reset - Normally open - 6 bar -  
DN65 - DN80 - DN100**



Code	Description	Dimension	Type	Pmax
36760734	Manual solenoid valve	DN65	NO	6 bar
36770736	Manual solenoid valve	DN80	NO	6 bar
36780738	Manual solenoid valve	DN100	NO	6 bar

**TECHNICAL FEATURES**

**Power supply** 230 Vca – 24 Vcc/Vca – 12 Vcc/Vca

**Body** Aluminium EN AC 43100

**Working temperature** -15°C / +70°C

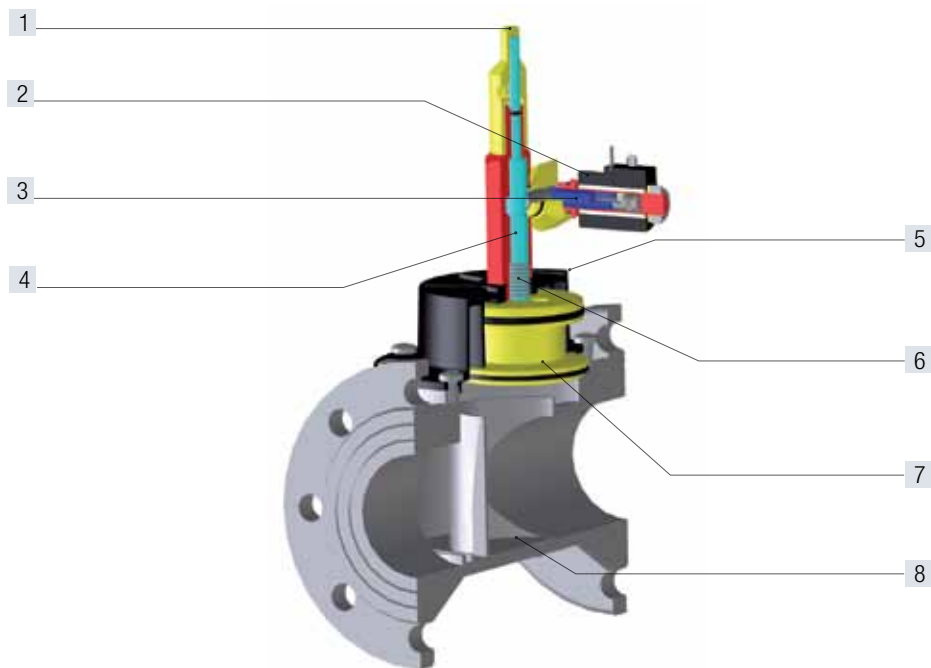
**Closing time** < 1 sec

**Max. pressure** 6 bar

**Protection level** IP65

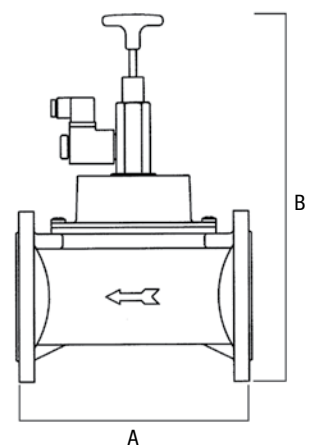
**Connections** flanged UNI 2223 - PN16

**Approval** PED / EAC  
Atex - II 3G Ex nA IIC T4 Gc



1	Reset knob
2	Coil
3	Magnetic shaft
4	Shaft
5	Upper body
6	Spring
7	Obturator
8	Body

Dimension	Flow (mc/H)	Power	A (mm)	B (mm)	Approvals	Power supply
DN65 2" ½	170	17W	246	395	Dir.97/23/CE (PED)	230Vac
DN80 3"	170	17W	265	395	Dir.97/23/CE (PED)	230Vac
DN100 4"	280	17W	265	420	Dir.97/23/CE (PED)	230Vac



*Gas solenoid valves manual reset  
- Normally close*



# Gas solenoid valves manual reset

**GAS SOLENOID VALVE - Manual reset - Normally close - 550 mbar** p. 222  
1/2" - 3/4" - 1" - 1 1/4" - 1 1/2" - 2"

---

**GAS SOLENOID VALVE - Manual reset - Normally close - 550 mbar** p. 224  
DN65 - DN80 - DN100

---

**GAS SOLENOID VALVE - Manual reset - Normally close - 6 bar** p. 226  
1/2" - 3/4" - 1" - 1 1/4" - 1 1/2" - 2"

---

**GAS SOLENOID VALVE - Manual reset - Normally close - 6 bar** p. 228  
DN65 - DN80 - DN100

---



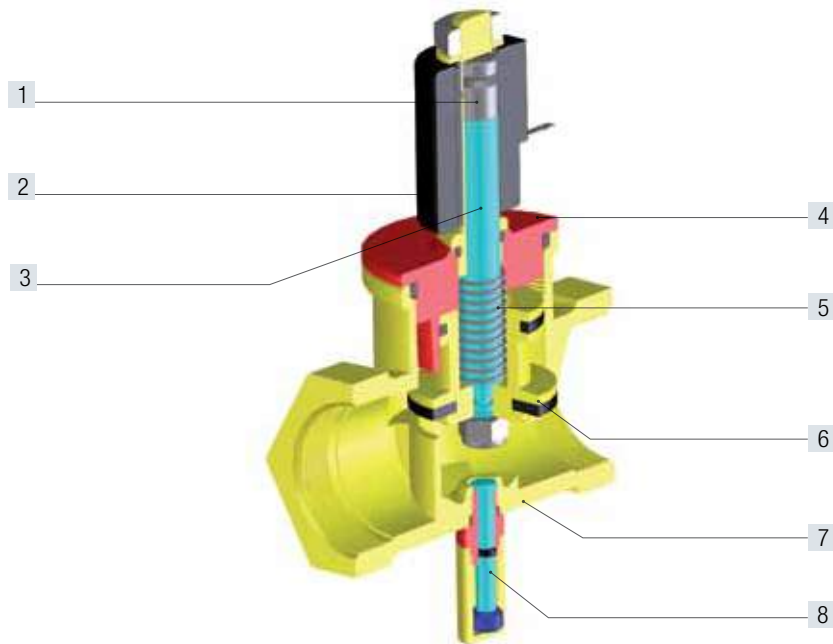
**GAS SOLENOID VALVE - Manual reset - Normally close - 550 mbar -  
1/2" - 3/4" - 1" - 1 1/4" - 1 1/2" - 2"**



Code	Description	Dimension	Type	Pmax
36801258	Manual solenoid valve	1/2"	NC	550 mbar
36811262	Manual solenoid valve	3/4"	NC	550 mbar
36821266	Manual solenoid valve	1"	NC	550 mbar
36831270	Manual solenoid valve	1 1/4"	NC	550 mbar
36841274	Manual solenoid valve	1 1/2"	NC	550 mbar
36851278	Manual solenoid valve	2"	NC	550 mbar

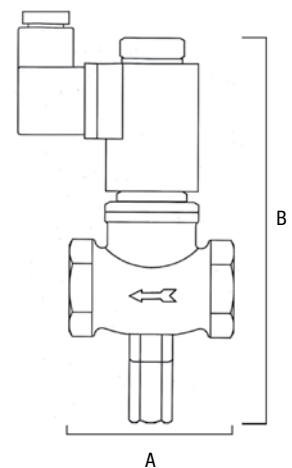
**TECHNICAL FEATURES**

<b>Power supply</b>	230 Vca – 24 Vcc/Vca – 12 Vcc/Vca – 110 Vac
<b>Body</b>	Brass ST-CW617N – EN 12420 – Yellow Painted
<b>Working temperature</b>	-15°C / +70°C
<b>Closing time</b>	< 1 sec
<b>Max. pressure</b>	550 mbar
<b>Protection level</b>	IP65
<b>Connections</b>	Thread 1/2", 3/4", 1", 1" 1/4, 1" 1/2", 2" - ISO 228/1 Threads
<b>Approval</b>	PED / EAC EN161 Atex - II 3G Ex nA IIC T4 Gc



1	Magnetic shaft
2	Coil
3	Shaft
4	Upper body
5	Spring
6	Obturator
7	Body
8	Reset knob

Dimension	Flow (mc/H)	Power	A (mm)	B (mm)	Approvals	Power supply
½"	4,5	6 W	86	165	Dir.97/23/CE-EN161	12Vcc
½"	4,5	9 VA	86	165	Dir.97/23/CE-EN161	230Vac
¾"	6	6 W	86	165	Dir.97/23/CE-EN161	12Vcc
¾"	6	9 VA	86	165	Dir.97/23/CE-EN161	230Vac
1"	13	6 W	93	175	Dir.97/23/CE-EN161	12Vcc
1"	13	9 VA	93	175	Dir.97/23/CE-EN161	230Vac
1"¼	40	6 W	114	200	Dir.97/23/CE-EN161	12Vcc
1"¼	40	9 VA	114	200	Dir.97/23/CE-EN161	230Vac
1"½	50	6 W	114	200	Dir.97/23/CE-EN161	12Vcc
1"½	50	9 VA	114	200	Dir.97/23/CE-EN161	230Vac
2"	80	6 W	138	210	Dir.97/23/CE-EN161	12Vcc
2"	80	9 VA	138	210	Dir.97/23/CE-EN161	230Vac



**GAS SOLENOID VALVE - Manual reset - Normally close - 550 mbar - DN65 - DN80 - DN100**



Code	Description	Dimension	Type	Pmax
36860705	Manual solenoid valve	DN65	NC	550 mbar
36870707	Manual solenoid valve	DN80	NC	550 mbar
36880709	Manual solenoid valve	DN100	NC	550 mbar
36891669	Manual solenoid valve	DN125	NC	550 mbar
36891670	Manual solenoid valve	DN150	NC	550 mbar

**TECHNICAL FEATURES**

**Power supply** 230 Vca – 24 Vcc/Vca – 12 Vcc/Vca

**Body** Aluminium EN AC 43100

**Working temperature** -15°C / +70°C

**Closing time** < 1 sec

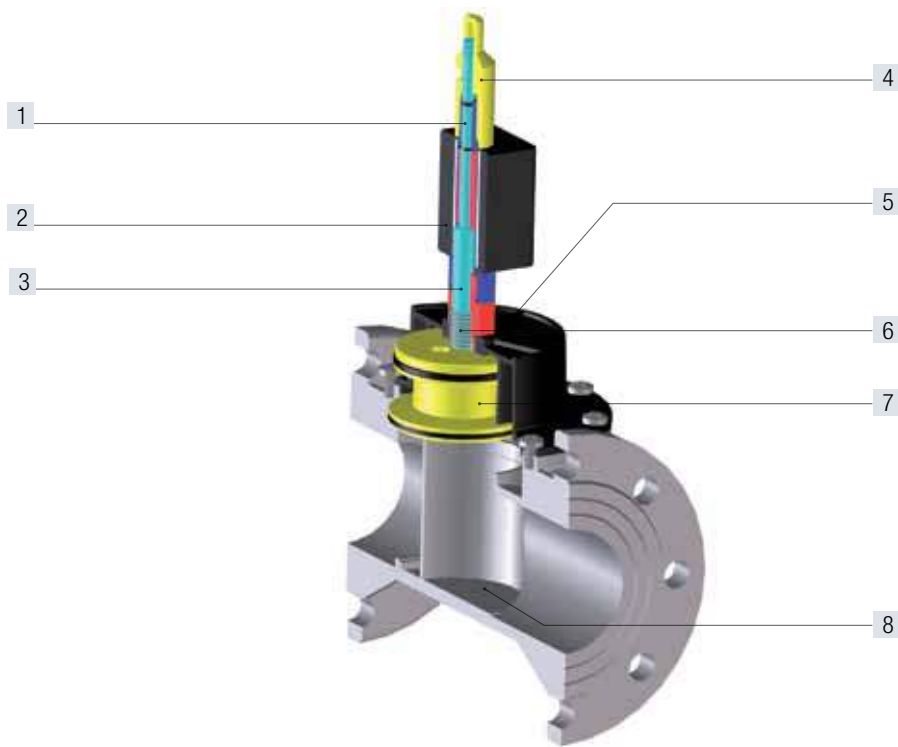
**Max. pressure** 550 mbar

**Protection level** IP65

**Connections** Flanged UNI 2223 - PN16

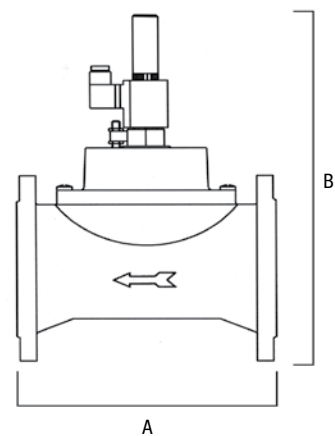
**Approval** PED / EAC  
EN161  
Atex - II 3G Ex nA IIC T4 Gc





1	Magnetic shaft
2	Coil
3	Shaft
4	Reset knob
5	Upper body
6	Spring
7	Obturator
8	Body

Dimension	Flow (mc/H)	Power	A (mm)	B (mm)	Approvals	Power supply
DN65 2" ½	170	6 W	246	395	Dir.97/23/CE-EN161	12Vcc
DN65 2" ½	170	9 VA	246	395	Dir.97/23/CE-EN161	230Vac
DN80 3"	170	6 W	265	395	Dir.97/23/CE-EN161	12Vcc
DN80 3"	170	9 VA	265	395	Dir.97/23/CE-EN161	230Vac
DN100 4"	280	6 W	265	420	Dir.97/23/CE-EN161	12Vcc
DN100 4"	280	9 VA	265	420	Dir.97/23/CE-EN161	230Vac
DN125 5"	280	23W	445	500	Dir.97/23/CE-EN161	12Vcc
DN125 5"	280	23W	445	500	Dir.97/23/CE-EN161	230Vac
DN150 6"	280	23W	445	500	Dir.97/23/CE-EN161	12Vcc
DN150 6"	280	23W	445	500	Dir.97/23/CE-EN161	230Vac



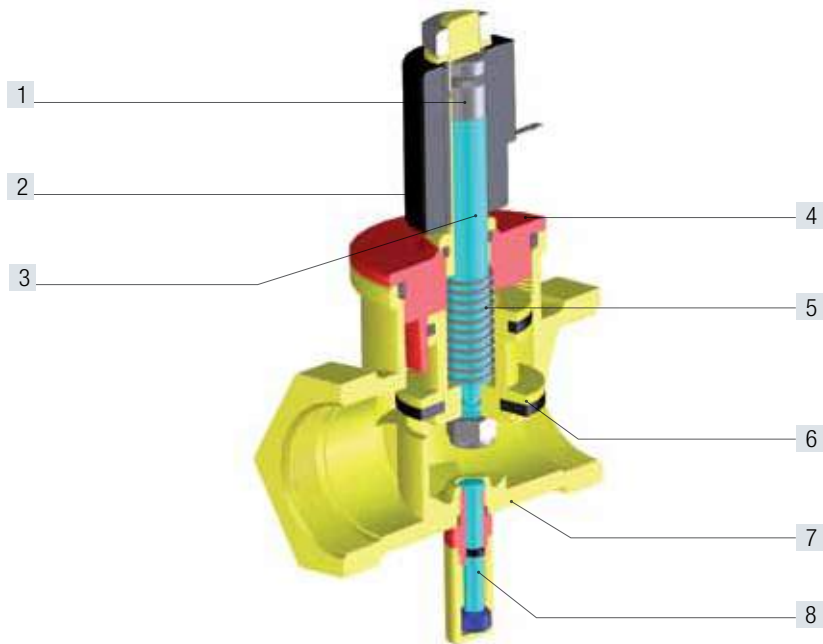
**GAS SOLENOID VALVE - Manual reset - Normally close - 6 bar -  
1/2" - 3/4" - 1" - 1 1/4" - 1 1/2" - 2"**



Code	Description	Dimension	Type	Pmax
36801260	Manual solenoid valve	1/2"	NC	6 bar
36811264	Manual solenoid valve	3/4"	NC	6 bar
36821268	Manual solenoid valve	1"	NC	6 bar
36831272	Manual solenoid valve	1 1/4"	NC	6 bar
36841276	Manual solenoid valve	1 1/2"	NC	6 bar
36841280	Manual solenoid valve	2"	NC	6 bar

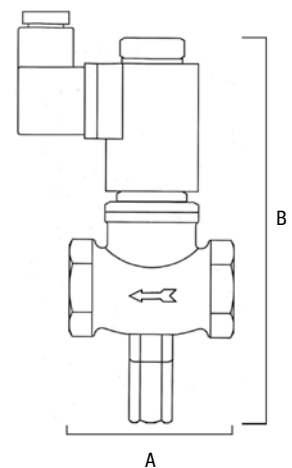
**TECHNICAL FEATURES**

<b>Power supply</b>	230 Vca – 24 Vcc/Vca – 12 Vcc/Vca – 110 Vac
<b>Body</b>	Brass ST-CW617N – EN 12420 – Yellow Painted
<b>Working temperature</b>	-15°C / +70°C
<b>Closing time</b>	< 1 sec
<b>Max. pressure</b>	6 bar
<b>Protection level</b>	IP65
<b>Connections</b>	Thread 1/2" , 3/4" , 1" , 1" 1/4 , 1" 1/2" , 2" - ISO 228/1 Threads
<b>Approval</b>	PED / EAC EN161 Atex - II 3G Ex nA IIC T4 Gc



1	Magnetic shaft
2	Coil
3	Shaft
4	Upper body
5	Spring
6	Obturator
7	Body
8	Reset knob

Dimension	Flow (mc/H)	Power	A (mm)	B (mm)	Approvals	Power supply
½"	4,5	6 W	86	165	Dir.97/23/CE-EN161	12Vcc
½"	4,5	9 VA	86	165	Dir.97/23/CE-EN161	230Vac
¾"	6	6 W	86	165	Dir.97/23/CE-EN161	12Vcc
¾"	6	9 VA	86	165	Dir.97/23/CE-EN161	230Vac
1"	13	6 W	93	175	Dir.97/23/CE-EN161	12Vcc
1"	13	9 VA	93	175	Dir.97/23/CE-EN161	230Vac
1" ¼	40	6 W	114	200	Dir.97/23/CE-EN161	12Vcc
1" ¼	40	9 VA	114	200	Dir.97/23/CE-EN161	230Vac
1" ½	50	6 W	114	200	Dir.97/23/CE-EN161	12Vcc
1" ½	50	9 VA	138	210	Dir.97/23/CE-EN161	230Vac
2"	80	6 W	138	210	Dir.97/23/CE-EN161	12Vcc
2"	80	9 VA	138	210	Dir.97/23/CE-EN161	230Vac



**GAS SOLENOID VALVE - Manual reset - Normally close - 6 bar -  
DN65 - DN80 - DN100**



Code	Description	Dimension	Type	Pmax
36860752	Manual solenoid valve	DN65	NC	6 bar
36870754	Manual solenoid valve	DN80	NC	6 bar
36880756	Manual solenoid valve	DN100	NC	6 bar
36891680	Manual solenoid valve	DN125	NC	6 bar
36891681	Manual solenoid valve	DN150	NC	6 bar

**TECHNICAL FEATURES**

**Power supply** 230 Vca – 24 Vcc/Vca – 12 Vcc/Vca

**Body** Aluminium EN AC 43100

**Working temperature** -15°C / +70°C

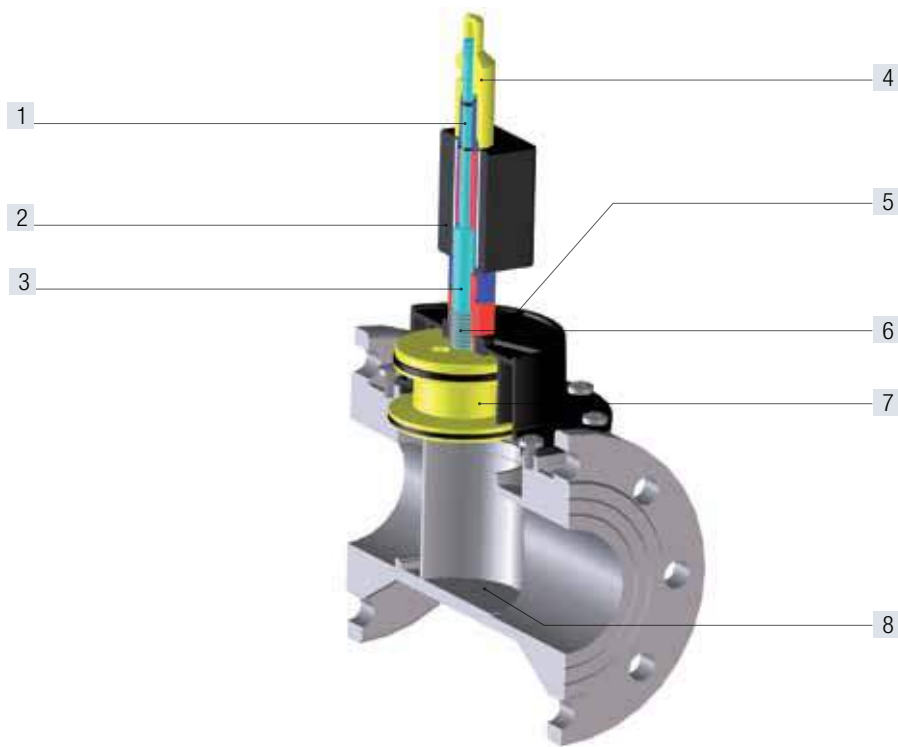
**Closing time** < 1 sec

**Max. pressure** 6 bar

**Protection level** IP65

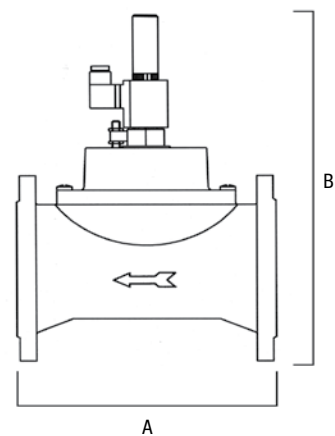
**Connections** flanged UNI 2223 - PN16

**Approval** PED / EAC  
EN161  
Atex - II 3G Ex nA IIC T4 Gc

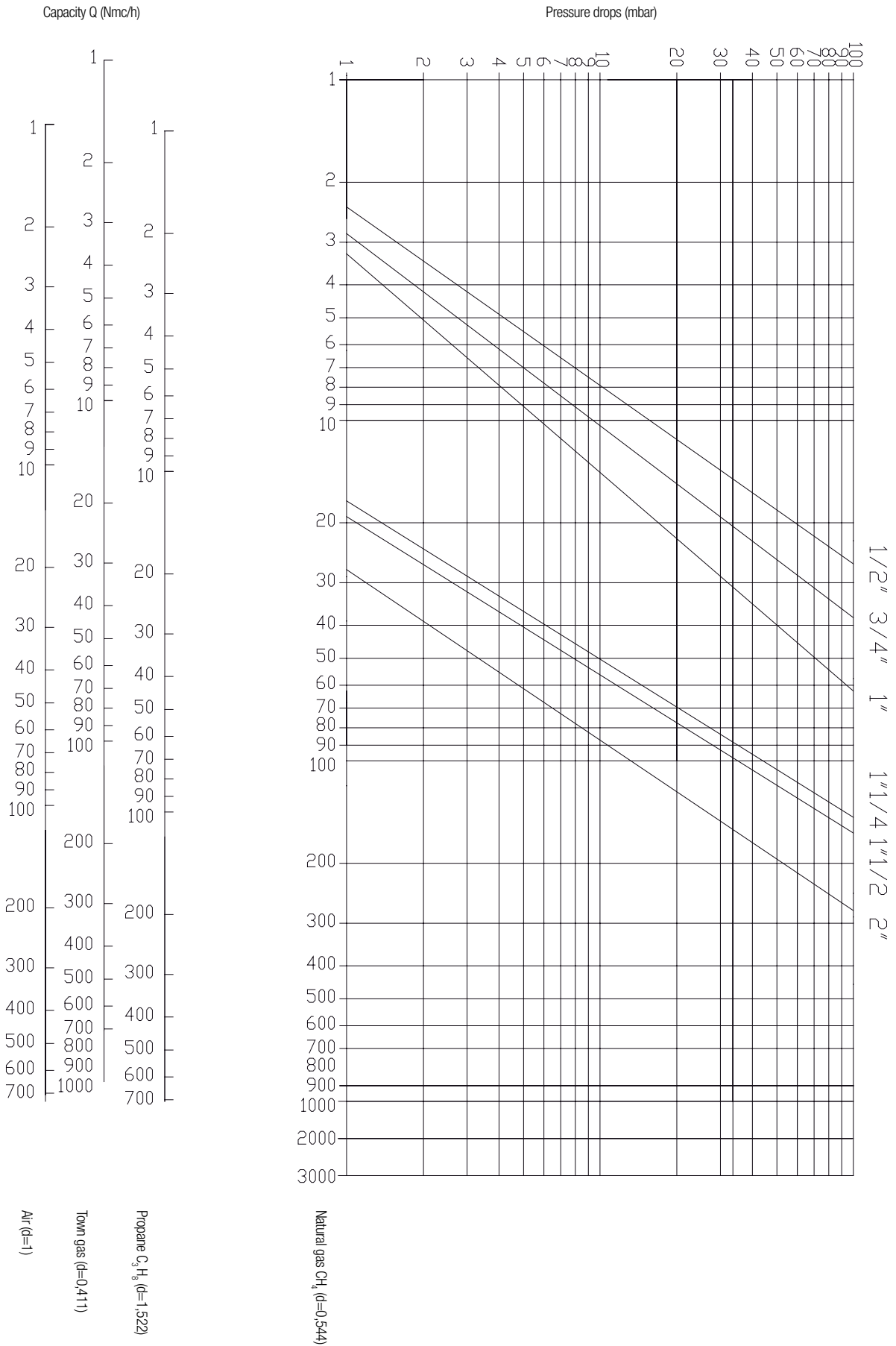


1	Magnetic shaft
2	Coil
3	Shaft
4	Reset knob
5	Upper body
6	Spring
7	Obturator
8	Body

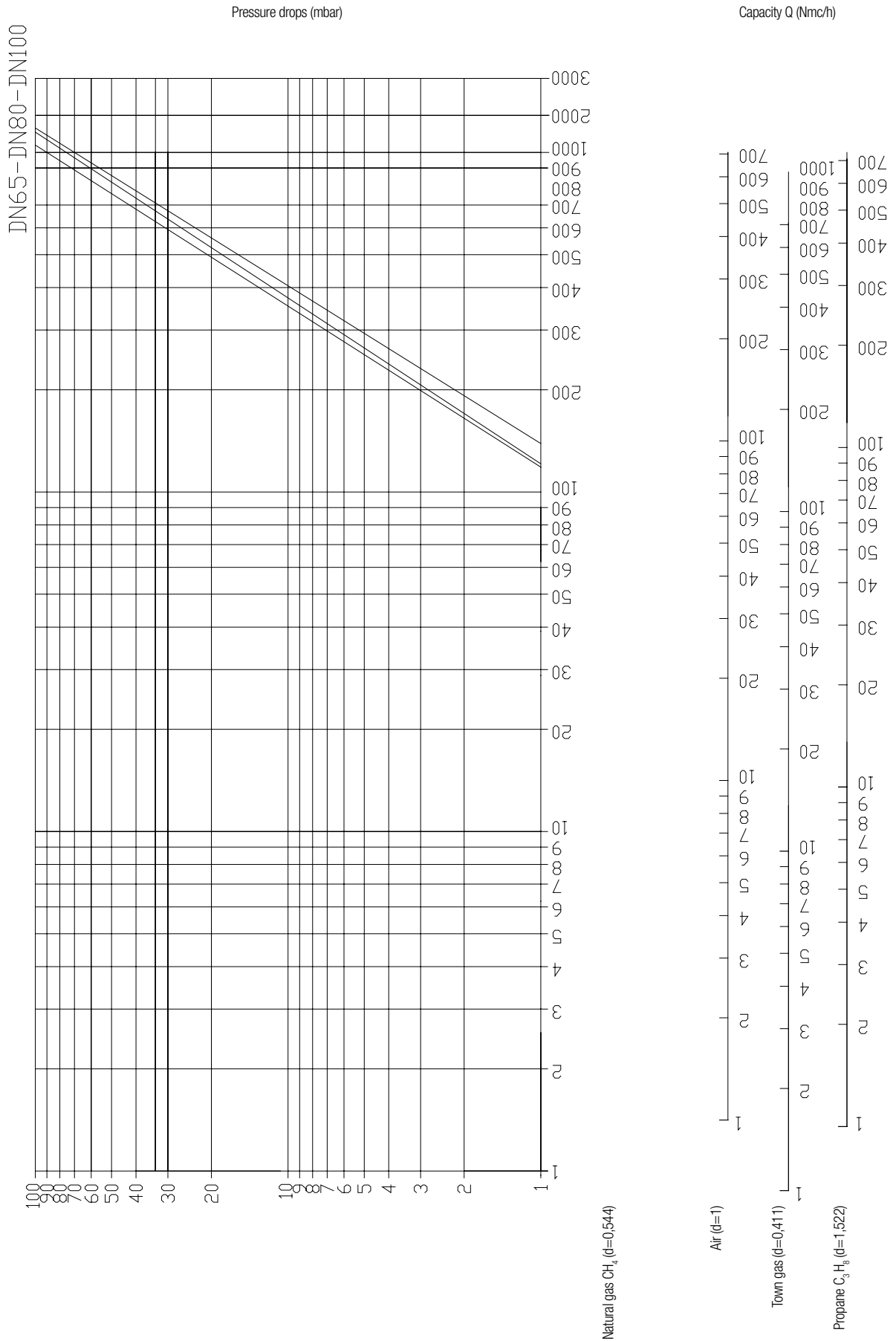
Dimension	Flow (mc/H)	Power	A (mm)	B (mm)	Approvals	Power supply
DN65 2" ½	170	6 W	246	395	Dir.97/23/CE-EN161	12Vcc
DN65 2" ½	170	9 VA	246	395	Dir.97/23/CE-EN161	230Vac
DN80 3"	170	6 W	265	395	Dir.97/23/CE-EN161	12Vcc
DN80 3"	170	9 VA	265	395	Dir.97/23/CE-EN161	230Vac
DN100 4"	280	6 W	265	420	Dir.97/23/CE-EN161	12Vcc
DN100 4"	280	9 VA	265	420	Dir.97/23/CE-EN161	230Vac
DN125 5"	280	23W	445	500	Dir.97/23/CE-EN161	12Vcc
DN125 5"	280	23W	445	500	Dir.97/23/CE-EN161	230Vac
DN150 6"	280	23W	445	500	Dir.97/23/CE-EN161	12Vcc
DN150 6"	280	23W	445	500	Dir.97/23/CE-EN161	230Vac



Gas solenoid valves Normally close - from 1/2" to 2" - Pmax 550 mbar / 6 bar



# Gas solenoid valves Normally close - from DN65 to DN100 - Pmax 550 mbar / 6 bar



*Gas solenoid valves manual reset  
with CPI integrated*





# Gas solenoid valves manual reset

**GAS SOLENOID VALVE - Manual reset - Normally close - 550 mbar** p. 234  
**1 ¼" - 1 ½" - 2" - With control position - CPI**

---

**GAS SOLENOID VALVE - Manual reset - Normally close - 550 mbar/6 bar** p. 236  
**DN65 - DN80 - DN100 - With Control position - CPI**

---



**GAS SOLENOID VALVE - Manual reset - Normally close - 550 mbar -  
1 ¼" - 1 ½" - 2" - With control position - CPI**



Code	Description	Dimension	Type	Pmax
36831287	Manual solenoid valve	1 ¼"	NC	550 mbar
36841289	Manual solenoid valve	1 ½"	NC	550 mbar
36851291	Manual solenoid valve	2"	NC	550 mbar

**TECHNICAL FEATURES**

**Power supply** 230 Vac – 24 Vcc/Vac – 12 Vcc/Vac

**Body** Brass ST-CW617N – EN 12420 – Yellow Painted

**Working temperature** -15°C / +70°C

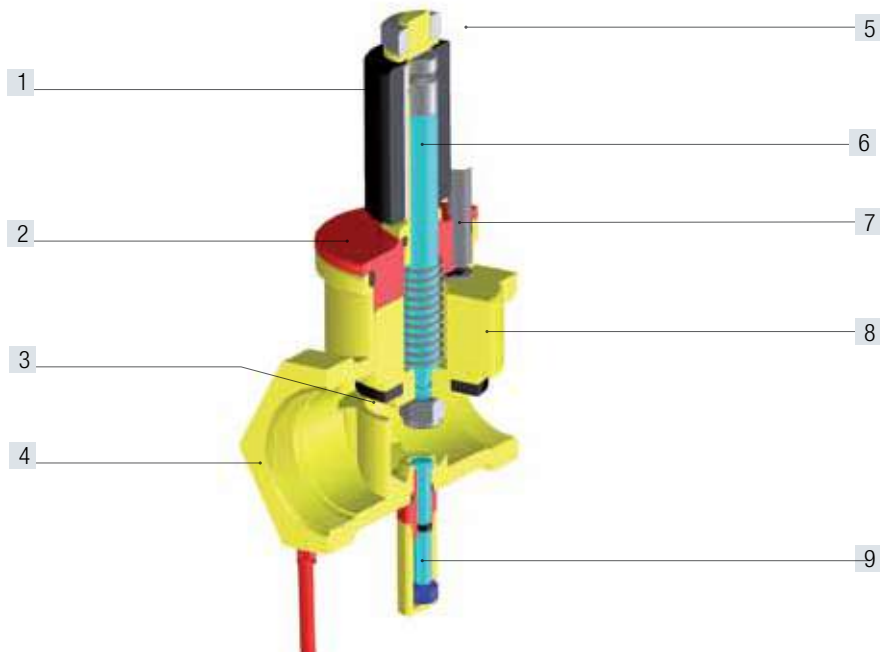
**Closing time** < 1 sec

**Max. pressure** 550 mbar

**Protection level** IP65

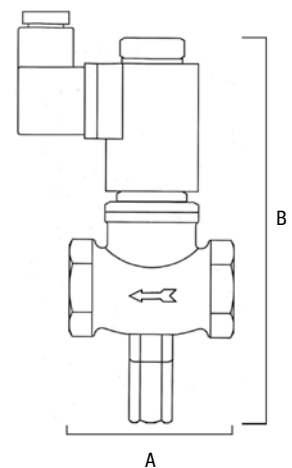
**Connections** Thread 1" 1/4 , 1" 1/2" , 2" - ISO 228/1 Threads

**Approval** PED / EAC  
EN161  
Atex - II 3G Ex nA IIC T4 Gc



1	Coil
2	Upper body
3	Obturator
4	Body
5	Magnetic sensor for position control
6	Magnetic shaft
7	Shaft
8	Spring
9	Reset knob

Dimension	Flow (mc/H)	Power	A (mm)	B (mm)	Approvals	Power supply
1" ¼	40	6 W	114	200	Dir.97/23/CE-EN161	12Vcc
1" ¼	40	9 VA	114	200	Dir.97/23/CE-EN161	230Vac
1" ½	50	6 W	114	200	Dir.97/23/CE-EN161	12Vcc
1" ½	50	9 VA	114	200	Dir.97/23/CE-EN161	230Vac
2"	80	6 W	138	210	Dir.97/23/CE-EN161	12Vcc
2"	80	9 VA	138	210	Dir.97/23/CE-EN161	230Vac



**GAS SOLENOID VALVE - Manual reset - Normally close - 550 mbar / 6 bar - DN65 - DN80 - DN100 - With Control position CPI**



Code	Description	Dimension	Type	Pmax
36861293	Manual solenoid valve	DN65	NC	550 mbar
36871294	Manual solenoid valve	DN80	NC	550 mbar
36881295	Manual solenoid valve	DN100	NC	550 mbar
36891773	Manual solenoid valve	DN125	NC	550 mbar
36891775	Manual solenoid valve	DN150	NC	550 mbar
36861301	Manual solenoid valve	DN65	NC	6 bar
36871302	Manual solenoid valve	DN80	NC	6 bar
36881303	Manual solenoid valve	DN100	NC	6 bar
36891768	Manual solenoid valve	DN125	NC	6 bar
36891769	Manual solenoid valve	DN150	NC	6 bar

**TECHNICAL FEATURES**

**Power supply** 230 Vac – 24 Vcc/Vac – 12 Vcc/Vac

**Body** Aluminium EN AC 43100

**Working temperature** -15°C / +70°C

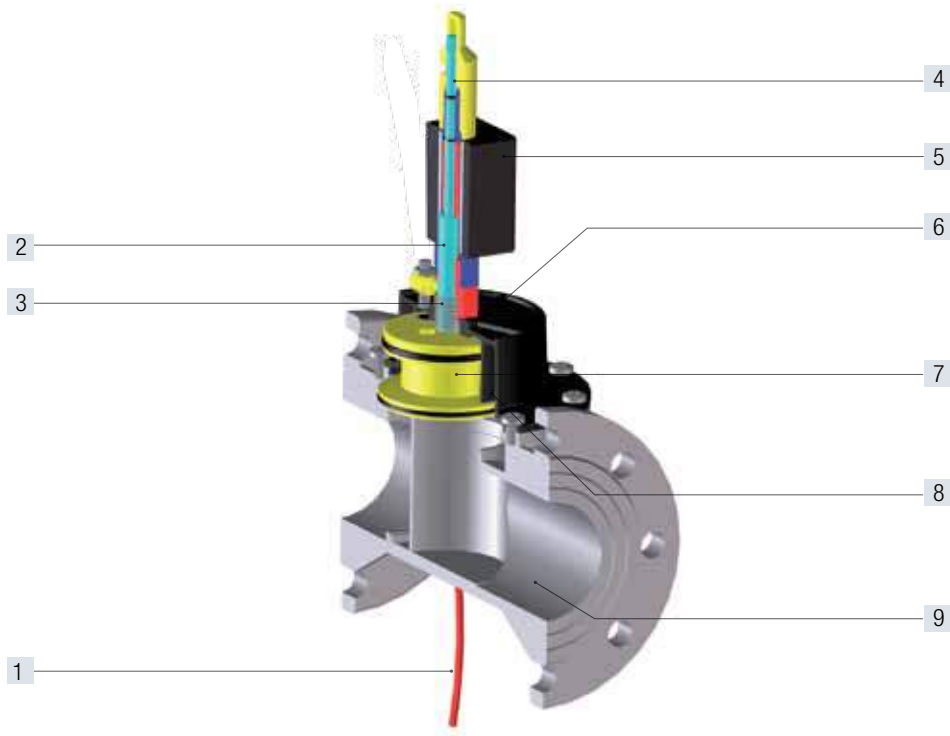
**Closing time** < 1 sec

**Max. pressure** 550 mbar/6bar

**Protection level** IP65

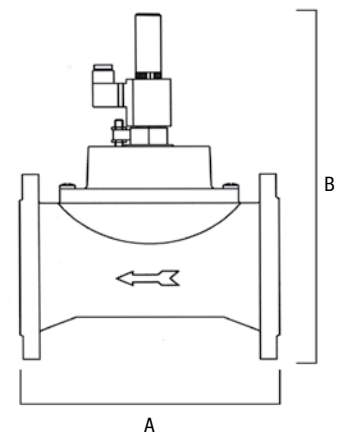
**Connections** Flanged UNI 2223- PN16

**Approval** PED / EAC  
EN161  
Atex - II 3G Ex nA IIC T4 Gc



1	Magnetic sensor for position control
2	Magnetic shaft
3	Spring
4	Reset knob
5	Coil
6	Upper body
7	Obturator
8	Shaft
9	Body

Dimension	Flow (mc/H)	Power	A (mm)	B (mm)	Approvals	Power supply
DN65 2" ½	170	6 W	246	395	Dir.97/23/CE-EN161	12Vcc
DN65 2" ½	170	9 VA	245	395	Dir.97/23/CE-EN161	230Vac
DN80 3"	170	6 W	265	395	Dir.97/23/CE-EN161	12Vcc
DN80 3"	170	9 VA	265	395	Dir.97/23/CE-EN161	230Vac
DN100 4"	280	6 W	265	420	Dir.97/23/CE-EN161	12Vcc
DN100 4"	280	9 VA	265	420	Dir.97/23/CE-EN161	230Vac



## *Accessories for gas train*

» This section is for all accessories complementary to the gas train.



# Accessories for gas train

**GAS BALL VALVES, FULL FLOW** p. 240

---

**FLANGED CAST IRON GAS BALL VALVES** p. 254

---

**WAFER BUTTERFLY VALVES** p. 256

---

## **Y STRAINER**

**Y STRAINERS** p. 267

---

**NICKEL-PLATED Y STRAINERS** p. 270

---

## **PRESSURE GAUGES**

**GAUGES FOR GAS WITH BOURDON SPRING - M63-M80** p. 276

---

**GAUGES FOR GAS WITH BOURDON SPRING - M100** p. 277

---

**GAS GAUGE, CAPSULE PRESSURE GAUGES  
BOTTOM CONNECTION, GAS-SPECIFIC VERSION,  
DN 63-80-100** p. 278

---

**ACCESSORIES** p. 279

---

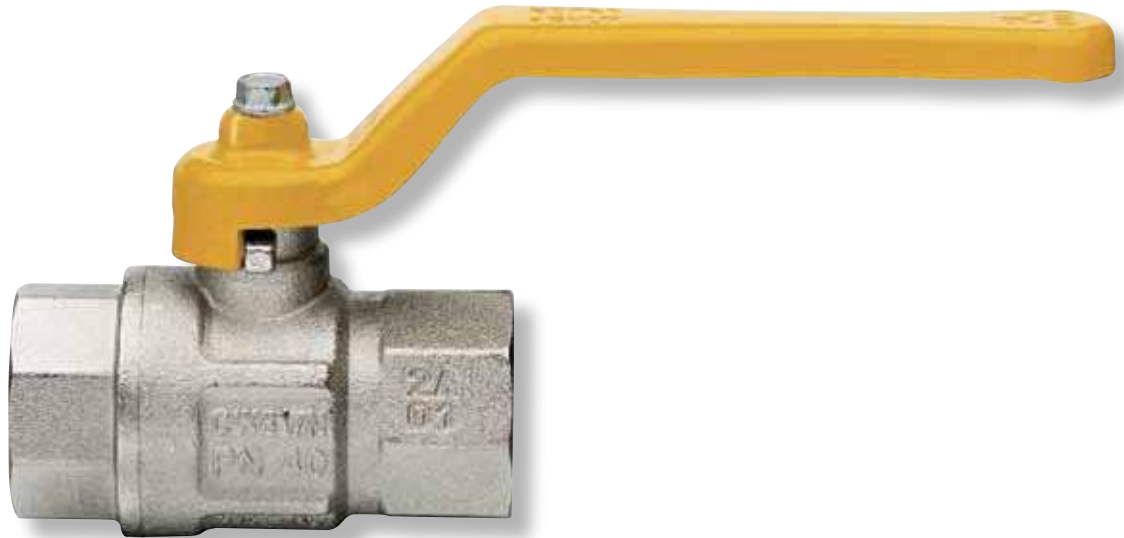
## **GAS DETECTION**

**GAS DETECTORS & CONTROL UNITS** p. 282

---



**GAS BALL VALVES, FULL FLOW**



Code	Packing	Dimension	Pmax
BV008-FF	12/192	1/4" (DN 8)	PN50
BV010-FF	12/192	3/8" (DN 10)	PN50
BV015-FF	10/100	1/2" (DN 15)	PN50
BV020-FF	8/64	3/4" (DN 20)	PN40
BV025-FF	6/48	1" (DN 25)	PN30
BV032-FF	4/32	1"1/4 (DN 32)	PN30
BV040-FF	2/16	1"1/2 (DN 40)	PN30
BV050-FF	2/14	2" (DN 50)	PN25

**TECHNICAL FEATURES**

**Model** Female threads. Lever handle in steel.

**Inlet - Outlet Connection** Female thread ISO 7/1 Rp parallel (equivalent to DIN EN 10226-1 and BS EN 10226-1) NPT threads on request

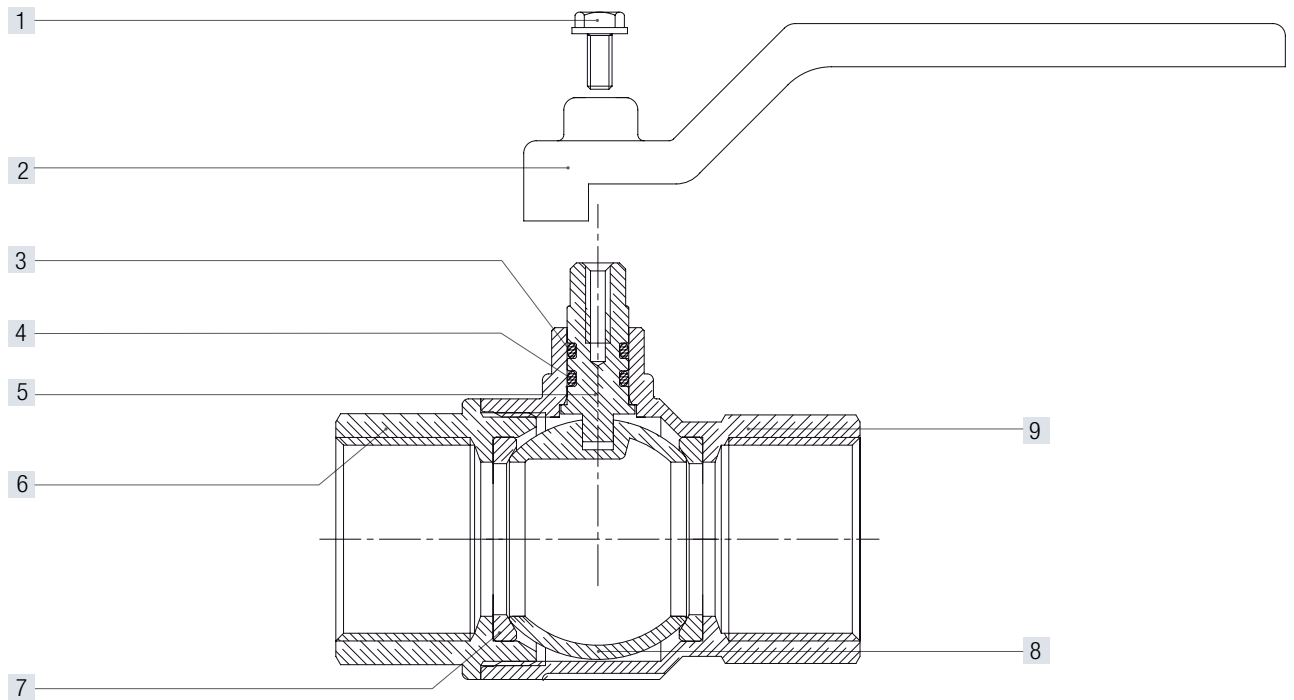
**Working Temperature** - 20° C, + 60° C.

**Approval** EN 331

**Materials:**

**Complete Body** Body in nickel-plated brass.

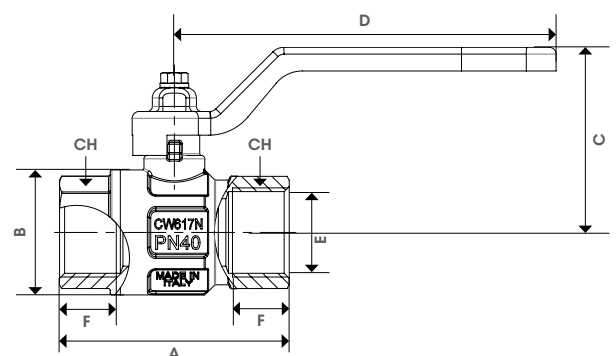




1	Screw
2	Lever handle
3	O-Ring
4	O-Ring
5	Stem
6	End adapter
7	Seat
8	Ball
9	Body

POS.	DESCRIPTION	N	MATERIAL
1	Screw	1	Zinc-plated steel Fe CB4
2	Lever handle	1	Zinc-plated and varnished steel Fe.P.04
3	O-Ring	1	VITON®
4	O-Ring	1	NBR
5	Stem	1	Brass CW614N
6	End adapter	1	Nickel-plated brass CW617N
7	Seat	1	P.T.F.E.
8	Ball	1	Chrome-plated brass CW617N
9	Body	1	Nickel-plated brass CW617N

DIMENSIONS (mm)								
Dimension	DN	A	B	C	D	E	F	CH
¼"	8	49,5	23,5	37,3	80	10	11	18
⅜"	10	52,4	24	37,3	80	10	11,4	21
½"	15	61	30,5	48,8	88,5	15	15	25
¾"	20	68	37	54,8	113	20	16,3	31
1"	25	85	45,5	56,8	113	25	19,1	38
1" ¼"	32	99,5	58	75	138	32	21,4	47
1" ½"	40	109	71	90,3	157,8	40	21,4	54
2"	50	130	85	97,3	157,8	50	25,7	66



**GAS BALL VALVES, FULL FLOW**



Code	Packing	Dimension	Pmax
BV008-MF	12/192	1/4" (DN 8)	PN50
BV010-MF	12/132	3/8" (DN 10)	PN50
BV015-MF	10/100	1/2" (DN 15)	PN50
BV020-MF	8/64	3/4" (DN 20)	PN40
BV025-MF	6/48	1" (DN 25)	PN30
BV032-MF	4/24	1"1/4 (DN 32)	PN30
BV040-MF	2/16	1"1/2 (DN 40)	PN30
BV050-MF	2/14	2" (DN 50)	PN25

**TECHNICAL FEATURES**

**Model** Male/female threads. Lever handle in steel.

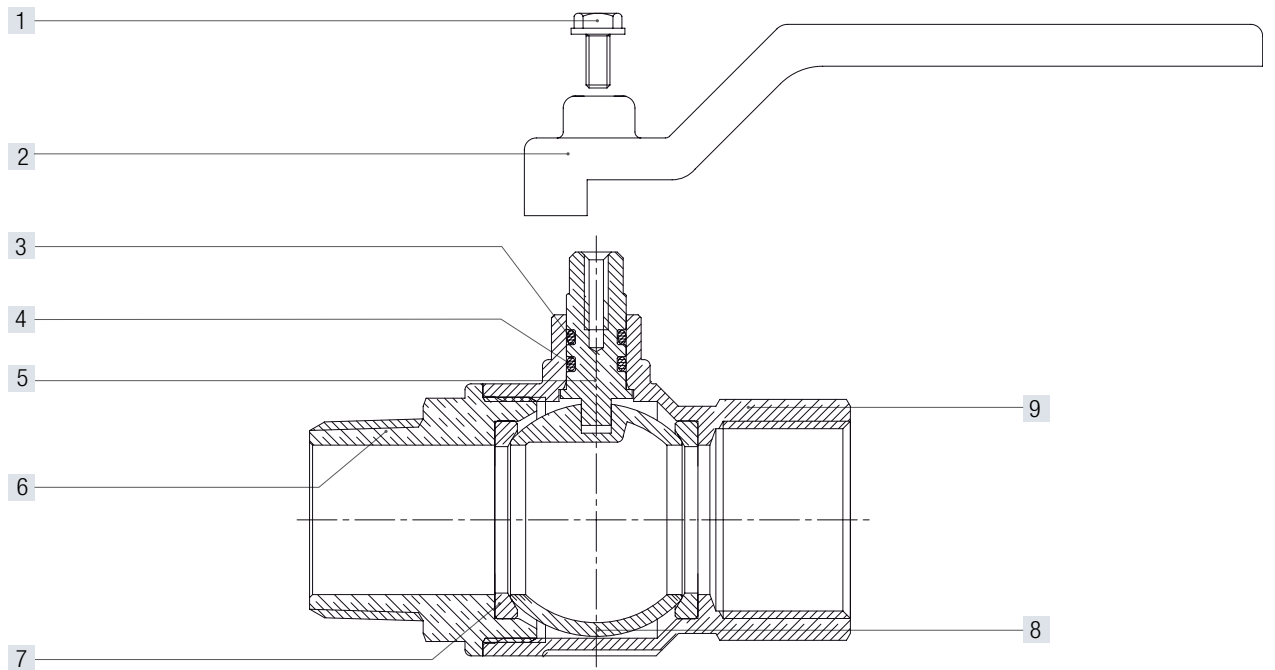
**Inlet - Outlet Connection** Female thread ISO 7/1 Rp parallel (equivalent to DIN EN 10226-1 and BS EN 10226-1)

**Working Temperature** - 20° C, + 60° C.

**Approval** EN 331

**Materials:**

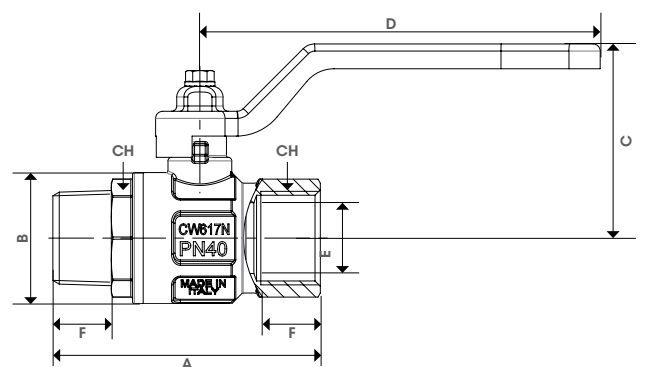
**Complete Body** Body in nickel-plated brass.



1	Screw
2	Lever handle
3	O-Ring
4	O-Ring
5	Stem
6	End adapter
7	Seat
8	Ball
9	Body

POS.	DESCRIPTION	N	MATERIAL
1	Screw	1	Zinc-plated steel Fe CB4
2	Lever handle	1	Zinc-plated and varnished steel Fe.P.04
3	O-Ring	1	VITON®
4	O-Ring	1	NBR
5	Stem	1	Brass CW614N
6	End adapter	1	Nickel-plated brass CW617N
7	Seat	1	P.T.F.E.
8	Ball	1	Chrome-plated brass CW617N
9	Body	1	Nickel-plated brass CW617N

DIMENSIONS (mm)								
Dimension	DN	A	B	C	D	E	F	CH
¼"	8	56,9	23,5	37,3	80	8	11	18
¾"	10	58,9	24	37,3	80	10	11,4	21
½"	15	68	30,5	48,8	88,5	15	15	25
¾"	20	75,5	37	54,8	113	20	16,3	31
1"	25	90,5	45,5	56,8	113	25	19,1	38
1" ¼"	32	105	58	75	138	32	21,4	47
1" ½"	40	115,5	71	90,3	157,8	39	21,4	54
2"	50	135,5	85	97,3	157,8	50	25,7	66



**GAS BALL VALVES, FULL FLOW**



Code	Packing	Dimension	Pmax
<b>BV065-FF</b>	1/5	2"1/2 (DN 65)	PN18
<b>BV080-FF</b>	1/3	3" (DN 80)	PN16
<b>BV100-FF</b>	1/2	4" (DN 100)	PN14

**TECHNICAL FEATURES**

**Model** Female threads. Lever handle in aluminium.

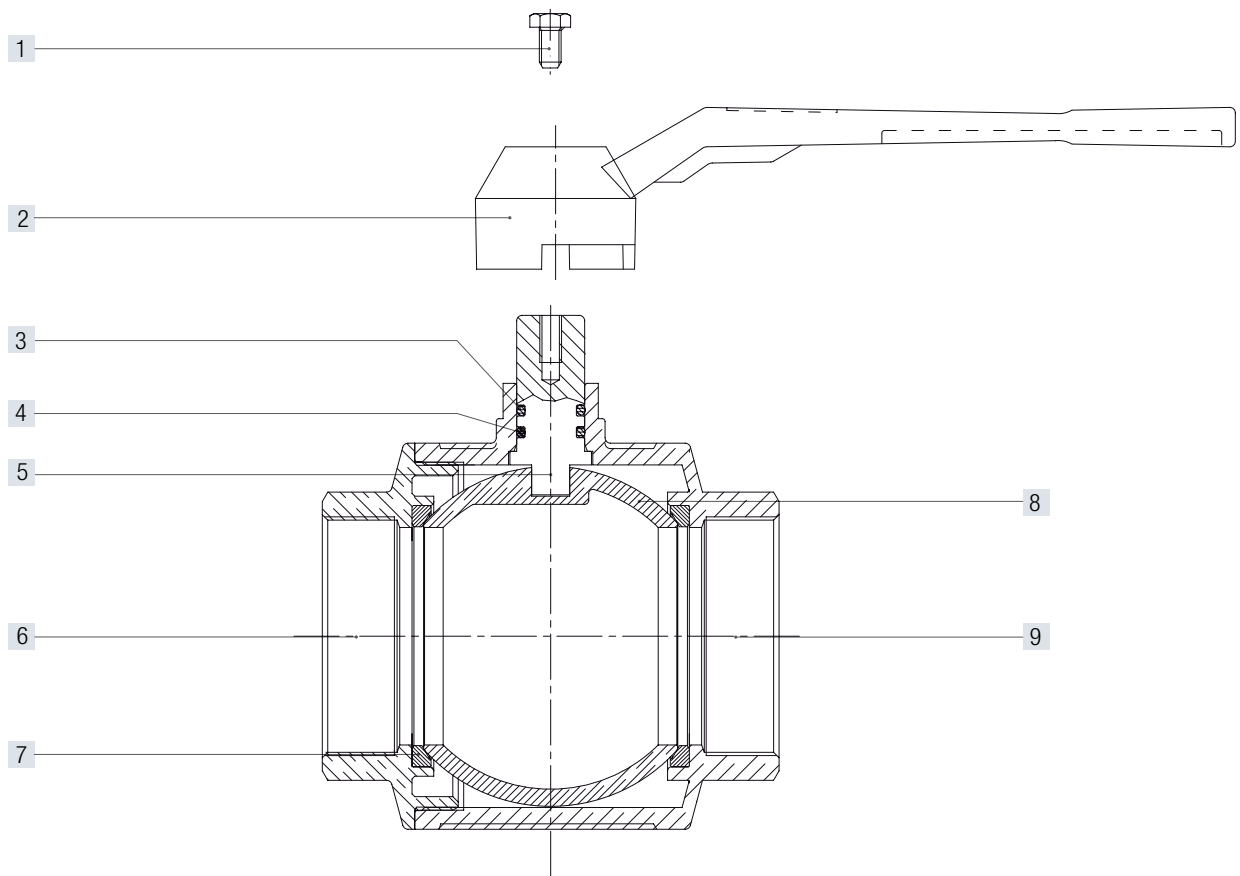
**Inlet - Outlet Connection** Threads ISO 228 (equivalent to DIN EN ISO 228 and BS EN ISO 228)

**Working Temperature** - 20° C, + 60° C.

**Approval** EN331

**Materials:**

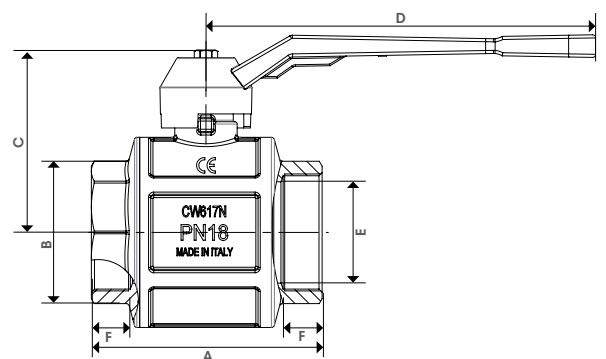
**Complete Body** Body in nickel-plated brass.



1	Screw
2	Lever handle
3	O-Ring
4	O-Ring
5	Stem
6	End adapter
7	Seat
8	Ball
9	Body

POS.	DESCRIPTION	N	MATERIAL
1	Screw	1	Zinc-plated steel Fe CB4
2	Lever handle	1	Aluminium
3	O-Ring	1	VITON®
4	O-Ring	1	NBR
5	Stem	1	Brass CW614N
6	End adapter	1	Nickel-plated brass CW617N
7	Seat	1	P.T.F.E.
8	Ball	1	Chrome-plated brass CW617N
9	Body	1	Nickel-plated brass CW617N

DIMENSIONS (mm)							
Dimension	DN	A	B	C	D	E	F
2" 1/2"	65	148	122	126,75	250	65	25
3"	80	168	142	135,75	250	80	27,5
4"	100	204	180	153,75	250	100	30



**GAS BALL VALVES, FULL FLOW**



Code	Packing	Dimension	Pmax
<b>BV065-MF</b>	1/5	2"½ (DN 65)	PN18
<b>BV080-MF</b>	1/3	3" (DN 80)	PN16
<b>BV100-MF</b>	1/2	4" (DN 100)	PN14

**TECHNICAL FEATURES**

**Model** Male/female threads. Lever handle in aluminium.

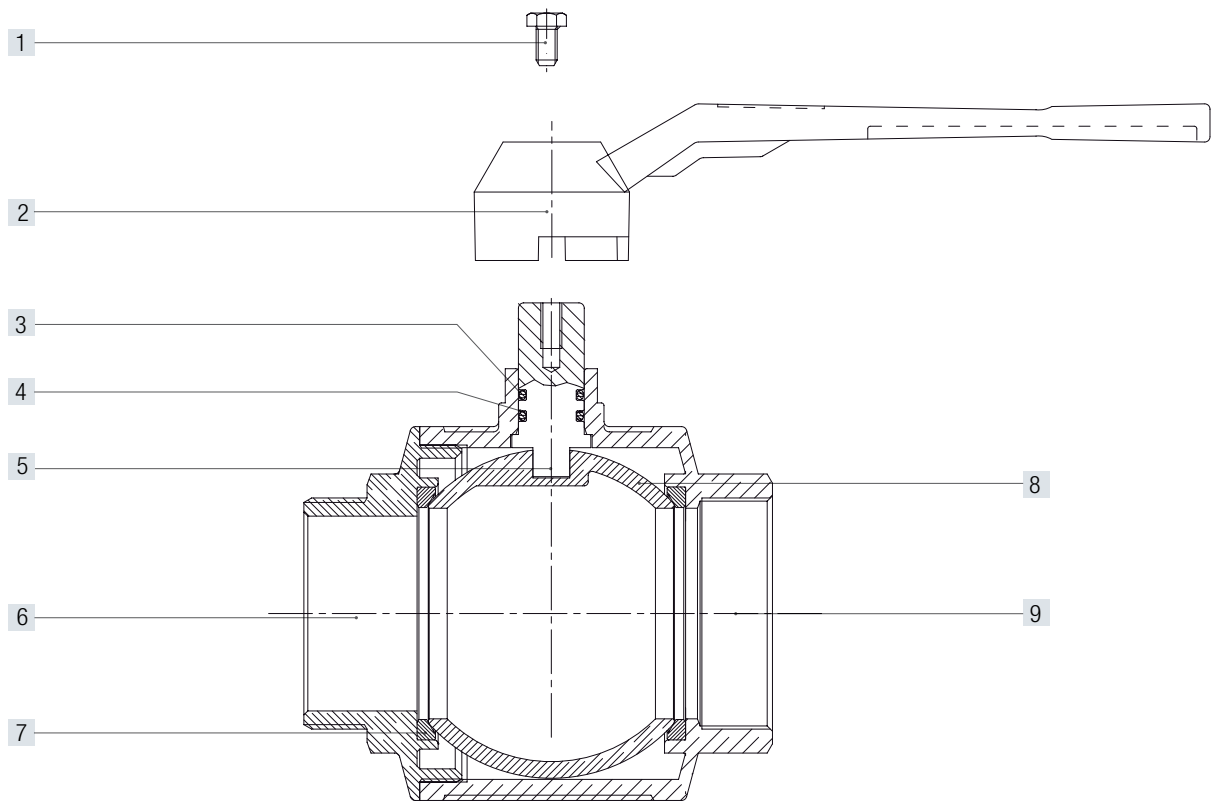
**Inlet - Outlet Connection** Threads ISO 228 (equivalent to DIN EN ISO 228 and BS EN ISO 228)

**Working Temperature** - 20° C, + 60° C.

**Approval** EN331

**Materials:**

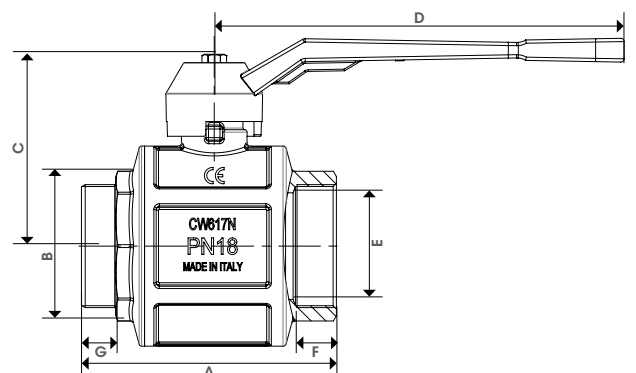
**Complete Body** Body in nickel-plated brass.



1	Screw
2	Lever handle
3	O-Ring
4	O-Ring
5	Stem
6	End adapter
7	Seat
8	Ball
9	Body

POS.	DESCRIPTION	N	MATERIAL
1	Screw	1	Zinc-plated steel Fe CB4
2	Lever handle	1	Aluminium
3	O-Ring	1	VITON®
4	O-Ring	1	NBR
5	Stem	1	Brass CW614N
6	End adapter	1	Nickel-plated brass CW617N
7	Seat	1	P.T.F.E.
8	Ball	1	Chrome-plated brass CW617N
9	Body	1	Nickel-plated brass CW617N

DIMENSIONS (mm)								
Dimension	DN	A	B	C	D	E	F	G
2" ½"	65	155,5	122	126,75	250	63	25	21
3"	80	178	142	135,75	250	74	27,5	24
4"	100	208	180	153,75	250	97	30	23



**GAS BALL VALVES, FULL FLOW - T - HANDLE**



Code	Packing	Dimension	Pmax
<b>BV008-FF-TH</b>	15/165	1/4" (DN 8)	PN50
<b>BV010-FF-TH</b>	15/165	3/8" (DN 10)	PN50
<b>BV015-FF-TH</b>	10/110	1/2" (DN 15)	PN50
<b>BV020-FF-TH</b>	8/64	3/4" (DN 20)	PN40
<b>BV025-FF-TH</b>	6/48	1" (DN 25)	PN30

**TECHNICAL FEATURES**

**Model** Female/female threads.  
T handle in aluminium

**Inlet - Outlet Connection** Female thread ISO 7/1 Rp parallel  
(equivalent to DIN EN 10226-1 and BS EN 10226-1)

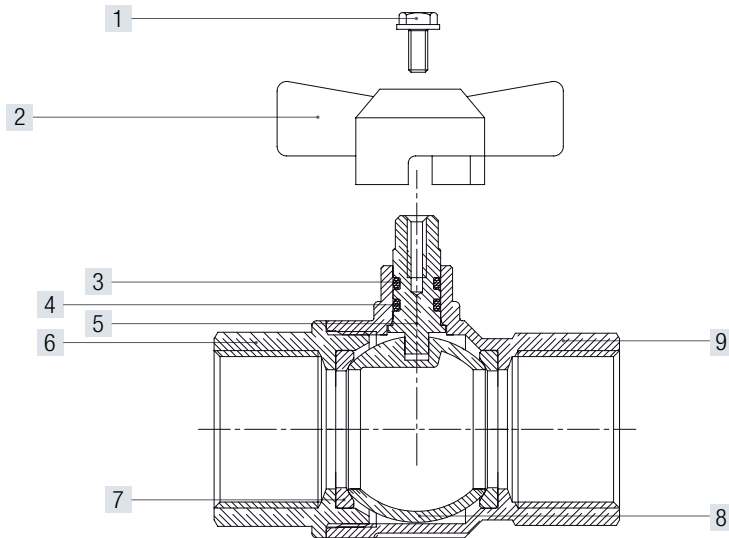
**Working Temperature** - 20° C, + 60° C.

**Approval** EN 331

**Materials:**

**Complete Body** Body in nickel-plated brass.

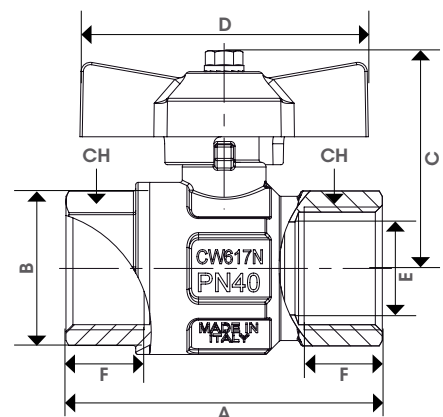




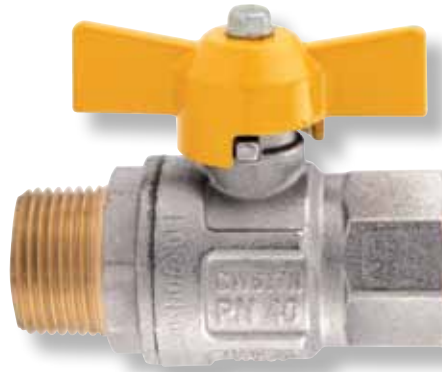
1	Screw
2	T handle
3	O-Ring
4	O-Ring
5	Stem
6	End adapter
7	Seat
8	Ball
9	Body

POS.	DESCRIPTION	N	MATERIAL
1	Screw	1	Zinc-plated steel Fe CB4
2	T handle	1	Varnished aluminium
3	O-Ring	1	VITON®
4	O-Ring	1	NBR
5	Stem	1	Brass CW614N
6	End adapter	1	Nickel-plated brass CW617N
7	Seat	2	P.T.F.E.
8	Ball	1	Chrome-plated brass CW617N
9	Body	1	Nickel-plated brass CW617N

DIMENSIONS (mm)								
Dimension	DN	A	B	C	D	E	F	CH
1/4"	8	49,5	23,5	37,3	47	10	11	18
3/8"	10	52,4	24	37,3	47	10	11,4	21
1/2"	15	61	30,5	48,8	54	15	15	25
3/4"	20	68	37	54,8	62	20	16,3	31
1"	25	85	45,5	56,8	62	25	19,1	38



**GAS BALL VALVES, FULL FLOW - T - HANDLE**



Code	Packing	Dimension	Pmax
<b>BV008-MF-TH</b>	15/165	1/4" (DN 8)	PN50
<b>BV010-MF-TH</b>	15/165	3/8" (DN 10)	PN50
<b>BV015-MF-TH</b>	10/130	1/2" (DN 15)	PN50
<b>BV020-MF-TH</b>	8/64	3/4" (DN 20)	PN40
<b>BV025-MF-TH</b>	6/48	1" (DN 25)	PN30

**TECHNICAL FEATURES**

**Model** Male/female threads.  
T-handle in aluminium

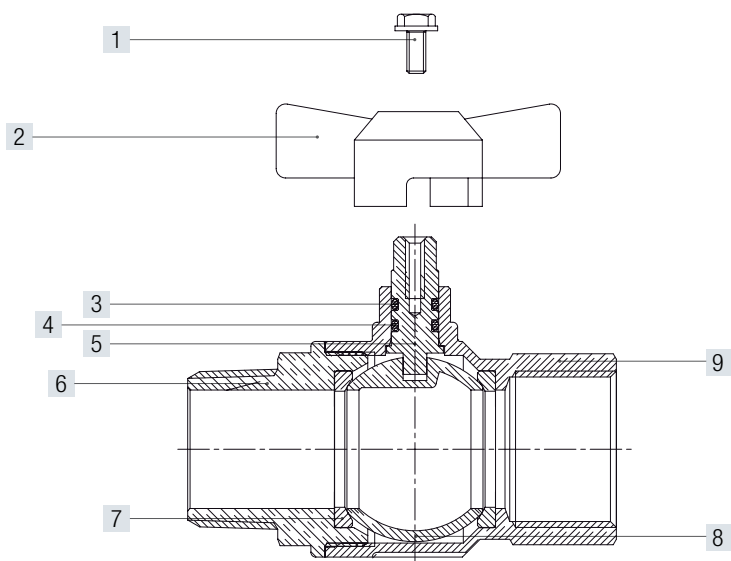
**Inlet - Outlet Connection** Female thread ISO 7/1 Rp parallel - Male thread ISO 7/1 R taper (equivalent to DIN EN 10226-1 and BS EN 10226-1)

**Working Temperature** - 20° C, + 60° C.

**Approval** EN 331

**Materials:**

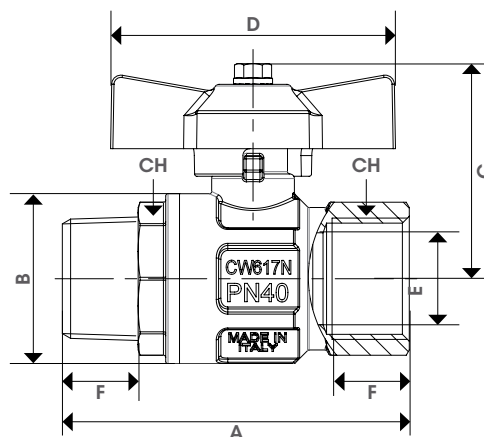
**Complete Body** Body in nickel-plated brass.



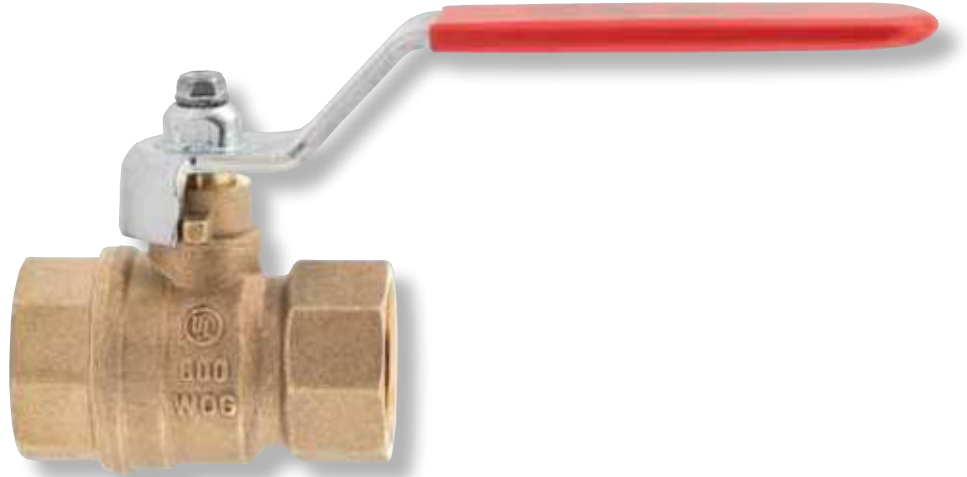
1	Screw
2	T handle
3	O-Ring
4	O-Ring
5	Stem
6	End adapter
7	Seat
8	Ball
9	Body

POS.	DESCRIPTION	N	MATERIAL
1	Screw	1	Zinc-plated steel Fe CB4
2	T handle	1	Varnished aluminium
3	O-Ring	1	VITON®
4	O-Ring	1	NBR
5	Stem	1	Brass CW614N
6	End adapter	1	Nickel-plated brass CW617N
7	Seat	2	P.T.F.E.
8	Ball	1	Chrome-plated brass CW617N
9	Body	1	Nickel-plated brass CW617N

DIMENSIONS (mm)								
Dimension	DN	A	B	C	D	E	F	CH
1/4"	8	56,9	23,5	37,3	47	8	11	18
3/8"	10	58,9	24	37,3	47	10	11,4	21
1/2"	15	68	30,5	48,8	54	15	15	25
3/4"	20	75,5	37	46,8	62	20	16,3	31
1"	25	90,5	45,5	50,8	62	25	19,1	38



**GAS BALL VALVES, FULL FLOW - NPT VERSION**



Code	Packing	Dimension	Pmax
BV010-FF-NPT	12/192	3/8" (DN 10)	600 WOG
BV015-FF-NPT	15/120	1/2" (DN 15)	600 WOG
BV020-FF-NPT	8/64	3/4" (DN 20)	600 WOG
BV025-FF-NPT	6/48	1" (DN 25)	600 WOG
BV032-FF-NPT	4/32	1"1/4 (DN 32)	600 WOG
BV040-FF-NPT	4/24	1"1/2 (DN 40)	600 WOG
BV050-FF-NPT	2/12	2" (DN 50)	600 WOG

**TECHNICAL FEATURES**

**Model** Female/female threads  
Flat lever handle in lined steel

**Inlet - Outlet Connection** Threads NPT (ANSI B 1.20.1)

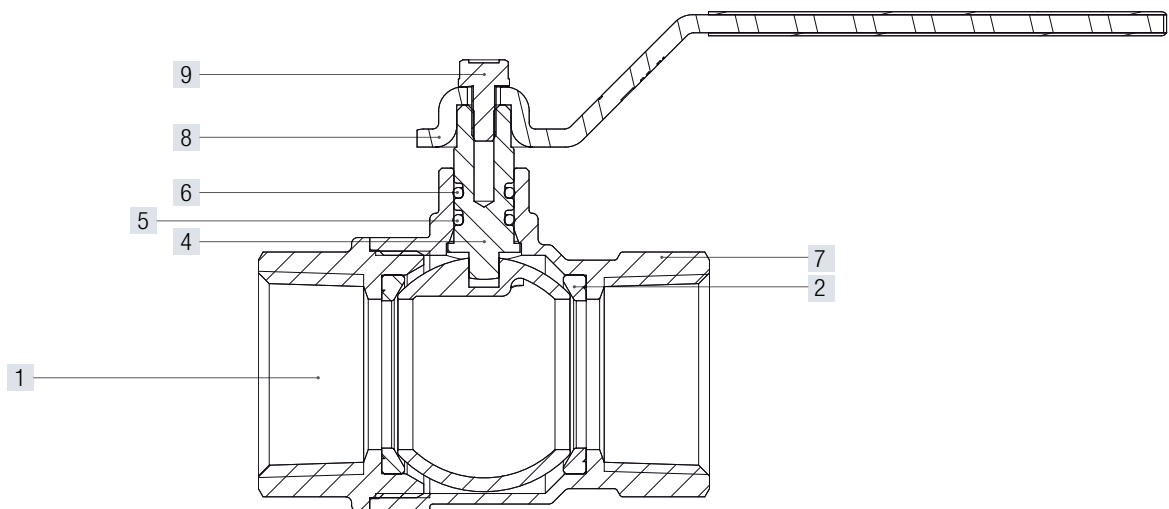
**Working Temperature** -10°C, 120°C

**Approval** UL

**Materials:**

**Complete Body** Body in brass

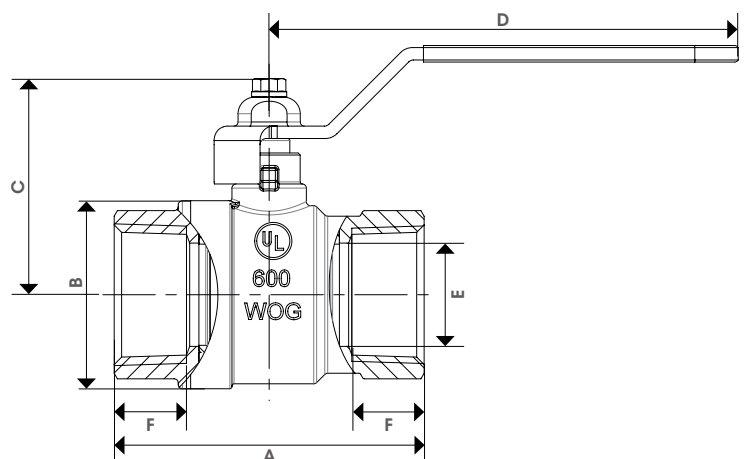
On request Yellow handle



1	End adapter
2	Seat
3	Ball
4	Stem
5	O-ring
6	O-ring
7	Body
8	Flat lever handle
9	Screw

POS.	DESCRIPTION	N	MATERIAL
1	End adapter	1	Brass CW617N
2	Seat	2	P.T.F.E.
3	Ball	1	Chrome-plated brass CW617N
4	Stem	1	Brass CW614N
5	O-ring	1	NBR
6	O-ring	1	VITON®
7	Body	1	Brass CW617N
8	Flat lever handle	1	Zinc-plated and plastic coated steel Fe.P.04
9	Screw	1	Zinc-plated steel Fe CB4

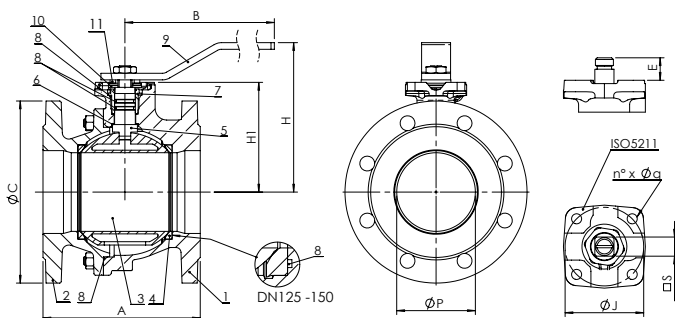
DIMENSIONS (mm)						
Dimension	A	B	C	D	E	F
3/8"	1,79	0,94	1,65	3,37	0,39	0,41
1/2"	2,07	1,14	1,74	3,37	0,55	0,55
3/4"	2,31	1,42	2,18	4,47	0,73	0,57
1"	2,95	1,79	2,37	4,47	0,98	0,69
1"1/4	3,23	2,24	2,98	5,43	1,26	0,69
1"1/2	3,54	2,48	3,1	5,43	1,46	0,69
2"	4,25	3,31	3,85	6,22	1,97	0,75



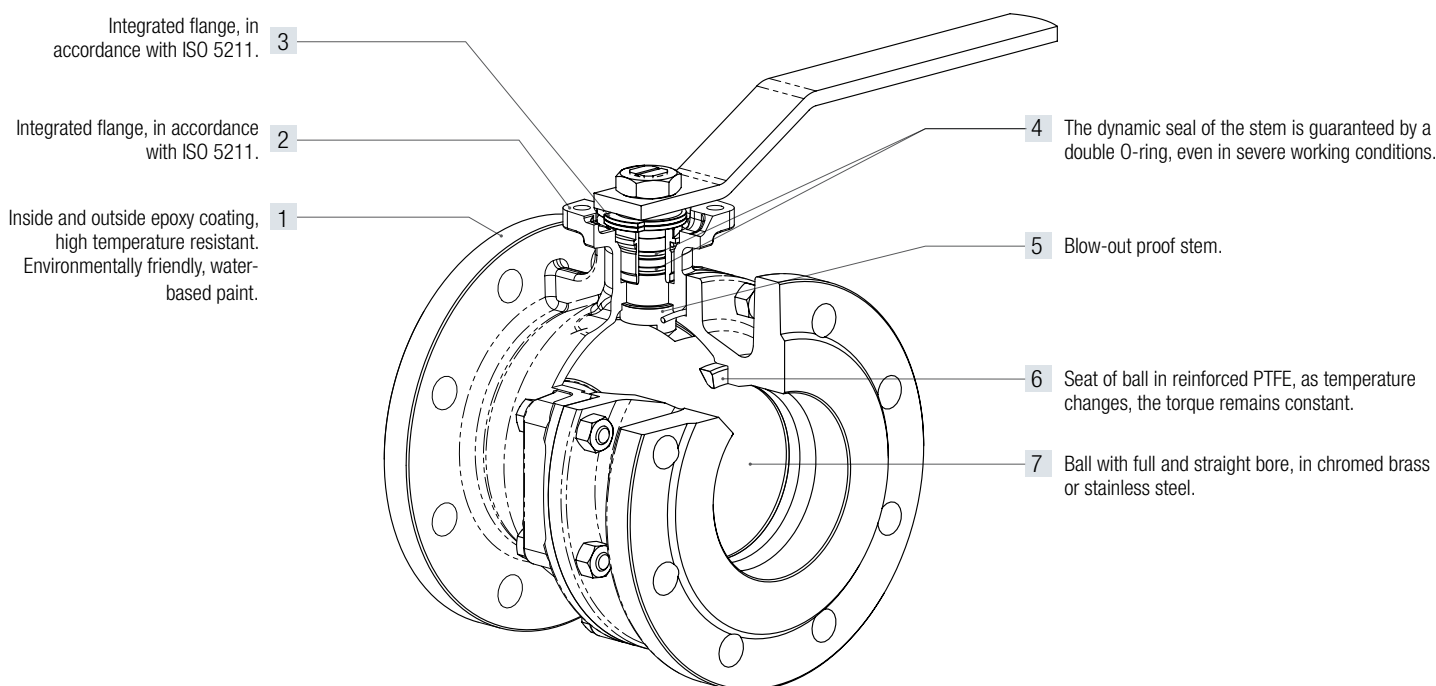
**FLANGED CAST IRON GAS BALL VALVE**



Code	Dimension	Pmax
<b>BVD15D</b>	DN15	PN16
<b>BVD20D</b>	DN20	PN16
<b>BVD25D</b>	DN25	PN16
<b>BVD32D</b>	DN32	PN16
<b>BVD40D</b>	DN40	PN16
<b>BVD50D</b>	DN50	PN16
<b>BVD65D</b>	DN65	PN16
<b>BVD80D</b>	DN80	PN16
<b>BVD100D</b>	DN100	PN16
<b>BVD125D</b>	DN125	PN16
<b>BVD150D</b>	DN150	PN16
<b>BVD200D</b>	DN200	PN10



POS.	DESCRIPTION	MATERIAL
<b>1</b>	Body	EN GJS 400-15 / EN GJL250*, epoxy coated
<b>2</b>	Flange	EN GJS 400-15 / EN GJL250*, epoxy coated
<b>3</b>	Ball	Brass CuZn40Pb2 chrome plated / AISI 304 / AISI 316 / EN GJL250**
<b>4</b>	Ball seat	Reinforced PTFE
<b>5</b>	Stem	Brass CuZn40Pb2 / AISI 304 / AISI 316
<b>6</b>	Sliding washer	PTFE
<b>7</b>	Ring	Brass CuZn40Pb2 / AISI 304 / AISI 316
<b>8</b>	O-Ring	NBR /FKM (Viton®)
<b>9</b>	Lever	Carbon steel, epoxy coated
<b>10</b>	Stop plate	Galvanized carbon steel
<b>11</b>	Spring washer	Galvanized carbon steel



DIMENSIONS (mm)													
DN		15	20	25	32	40	50	65	80	100	125	150	200
<b>P</b>		15	20	25	32	40	50	63	76	95	120	145	190
<b>A</b>	EN 558/1-14 (ex DIN 3202 F4)	115	120	125	130	140	150	170	180	190	200	210	-
<b>H</b>		84	84	96	101	125	135	143	165	180	225	243	320
<b>H1</b>		50,5	52	59	64	78,5	87	95	118	132,5	165	182,5	230
<b>B</b>		160	160	170	170	230	230	230	280	360	450	560	1000
<b>C</b>	EN1092/2 PN 16	95	105	115	140	150	165	185	200	220	250	285	340
<b>IS05211</b>		F04	F04	F04	F04	F05	F05	F05	F07	F07	F10	F10	F12
<b>J</b>		42	42	42	42	50	50	50	70	70	102	102	125
<b>n°x Ø q</b>		4X6	4X6	4X6	4X6	4X7	4X7	4X7	4X9	4X9	4X11	4X11	4X13
<b>E</b>		11,5	11,5	14,5	14,5	17,5	17,5	17,5	20	20	24,5	24,5	27
<b>S</b>		□ 9	□ 9	□ 11	□ 11	□ 14	□ 14	□ 14	□ 17	□ 17	□ 22	□ 22	□ 27

WEIGHT (Kg)													
		2,6	3,3	4,2	5,8	7,5	9	10,5	15,5	18,5	28	38,5	93

OPERATING TORQUE (Nm)													
		15	15	18	18	18	20	40	70	100	180	250	600

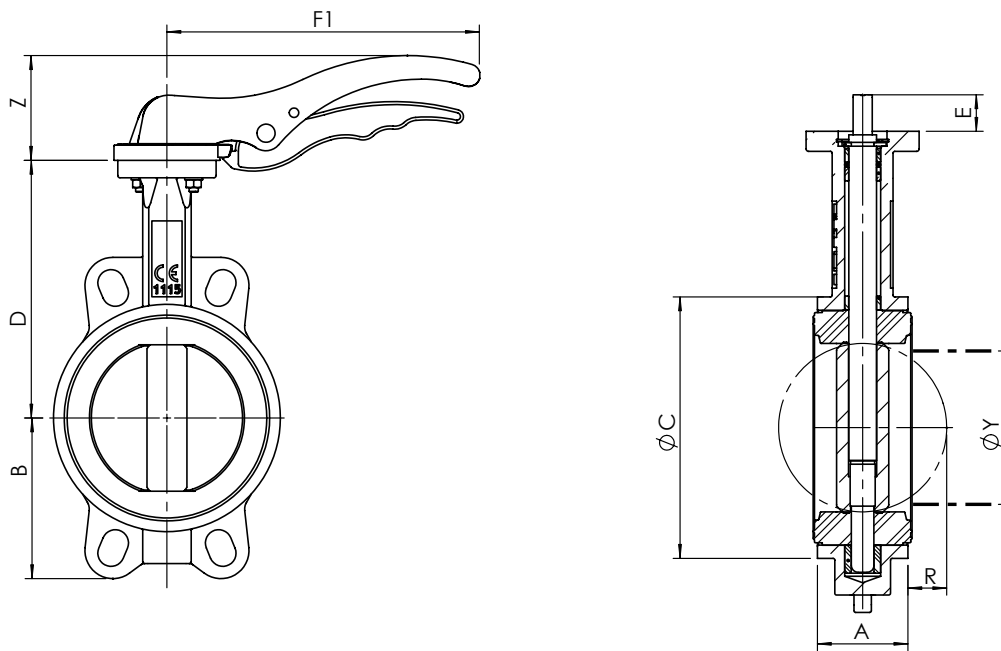
**WAFER BUTTERFLY VALVES**



Code	Dimension	Pmax
<b>WBVD15</b>	DN15	PN16
<b>WBVD20</b>	DN20	PN16
<b>WBVD25</b>	DN25	PN16
<b>WBVD32</b>	DN32	PN16
<b>WBVD40</b>	DN40	PN16
<b>WBVD50</b>	DN50	PN16
<b>WBVD65</b>	DN65	PN16
<b>WBVD80</b>	DN80	PN16
<b>WBVD100</b>	DN100	PN16
<b>WBVD125</b>	DN125	PN16
<b>WBVD150</b>	DN150	PN16
<b>WBVD200</b>	DN200	PN16

POS.	DESCRIPTION	MATERIAL
<b>1</b>	Body	Ductile iron EN GJS 400 -15
<b>2</b>	Disc	Nickel plated <ductile iron EN GLS 400 - 15 / Stainless steel ASTM A351 gr. CF8-M. Aluminium-bronze CuAl11Fe4ASTMB148C94500
<b>3</b>	Stem DN25-400	AISI 420
<b>4</b>	Stem DN450-600	AISI 416
<b>5</b>	Liner	EPDM/NBR/FKM (VITON®) / PTFE
<b>6</b>	Bushing	PTFE
<b>7</b>	Washer	Galvanized carbon steel
<b>8</b>	O-Ring	FKM (Viton®)
<b>9</b>	Lever	DN25-150 Aluminium / Ductile iron Ductile iron EN GJS 400-15
<b>10</b>	Bolts	Galvanized carbon steel





DIMENSIONS (mm)

DN	25	32	40	50	65	80	100	125	150	200
<b>A</b>	33	33	33	43	46	46	52	56	56	60
<b>ØC</b>	65	73	82	89	102	118	150	174	205	260
<b>D</b>	104	110	116	126	136	150	170	180	200	230
<b>B</b>	51	56	63	62	69	90	106	119	131	166
<b>F1</b>	192	192	170	170	170	206	206	285	285	400
<b>Z</b>	58	68	50	50	50	69	69	90	90	72
<b>R</b>	-	1	5	5	9	17	26	34	50	71
<b>ØY min pipe</b>	-	12	27	31	45	65	90	110	146	194

WEIGHT (Kg)

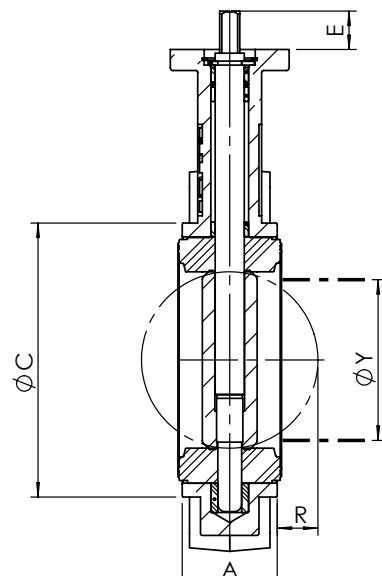
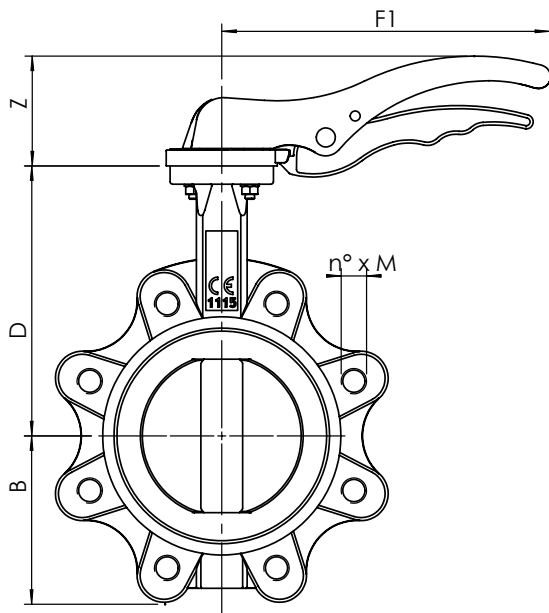
DN	25	32	40	50	65	80	100	125	150	200
	1,7	1,7	1,8	2,1	2,4	3,2	4,3	6,3	7,8	15,0

LUG BUTTERFLY VALVES



Code	Dimension	Pmax
LBVD15	DN15	PN16
LBVD20	DN20	PN16
LBVD25	DN25	PN16
LBVD32	DN32	PN16
LBVD40	DN40	PN16
LBVD50	DN50	PN16
LBVD65	DN65	PN16
LBVD80	DN80	PN16
LBVD100	DN100	PN16
LBVD125	DN125	PN16
LBVD150	DN150	PN16
LBVD200	DN200	PN16

POS.	DESCRIPTION	MATERIAL
1	Body	Ductile iron EN GJS 400 - 15
2	Disc	Ductile iron nickel plated EN GJS 400 - 15 / Stainless steel ASTM A351 gr. CF8-M / Aluminium-bronze CuAl11Fe4 ASTM B148 C94500
3	Stem	Stainless Steel AISI 420
4	Liner	EPDM / NBR / FKM (Viton®) / PTFE
5	Bushing	PTFE
6	Washer	Galvanized carbon steel
7	Circlip ISO3075	Spring steel
8	O-Ring	FKM (Viton®)
9	Lever	DN25-150 Aluminium / DN200-250 Ductile iron EN GJS 400-15
10	Bolts	Galvanized carbon steel



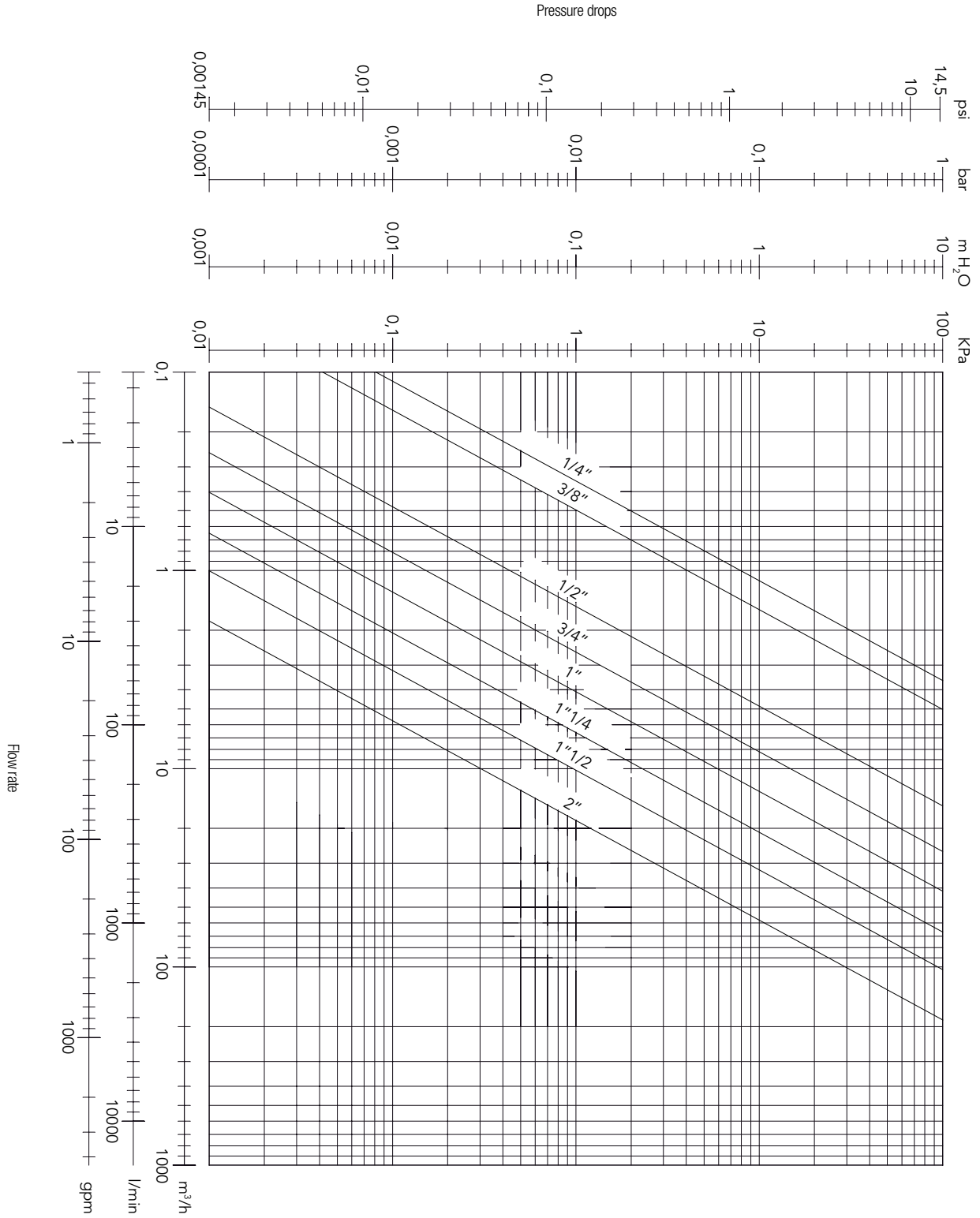
DIMENSIONS (mm)

DN	25	32	40	50	65	80	100	125	150	200
<b>A</b>	33	33	33	43	46	46	52	56	56	60
<b>ØC</b>	65	73	82	89	102	118	150	174	205	260
<b>D</b>	104	110	116	126	136	150	170	180	200	230
<b>B</b>	51	56	63	62	69	90	106	119	131	166
<b>F1</b>	192	192	170	170	170	206	206	285	285	400
<b>Z</b>	68	68	50	50	50	69	69	90	90	72
<b>R</b>	-	1	5	5	9	17	26	34	50	71
<b>ØY min pipe</b>	-	12	27	31	45	65	90	110	146	194

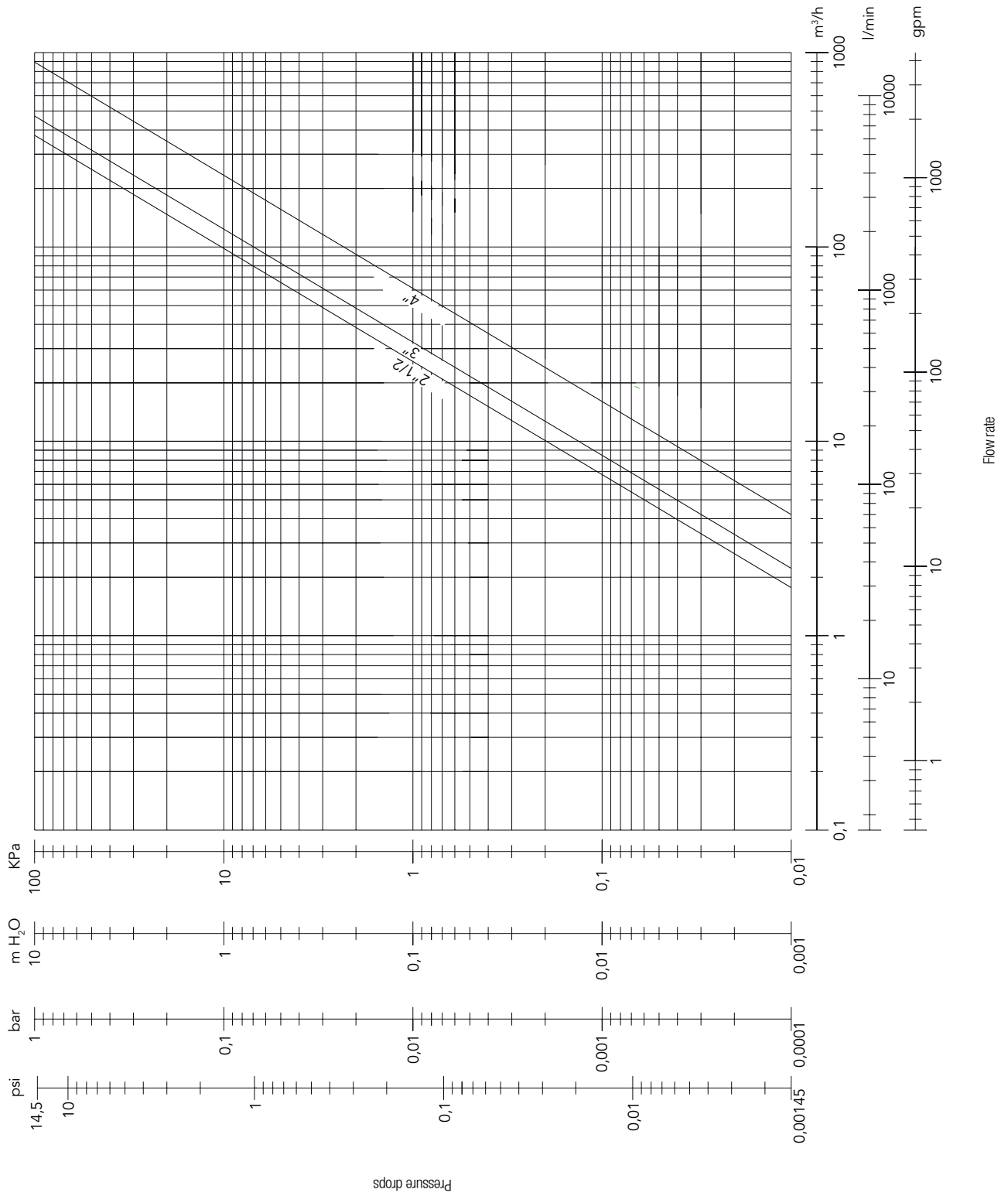
WEIGHT (Kg)

DN	25	32	40	50	65	80	100	125	150	200
<b>with lever</b>	2,6	2,6	2,3	3,2	4,1	5,4	6,7	9,6	10,8	21,1

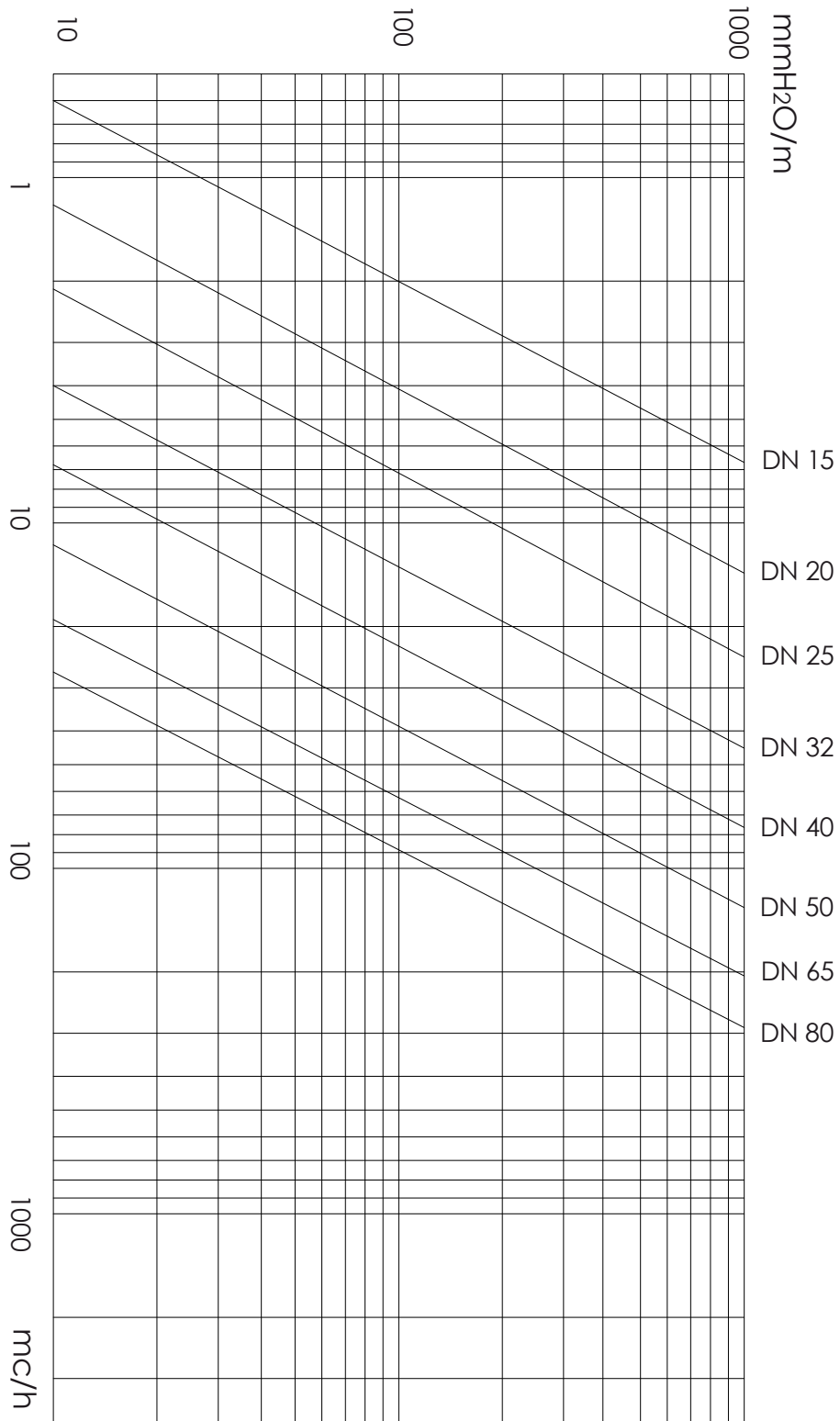
**GAS BALL VALVES, FULL FLOW - FROM 1/2" TO 2"**



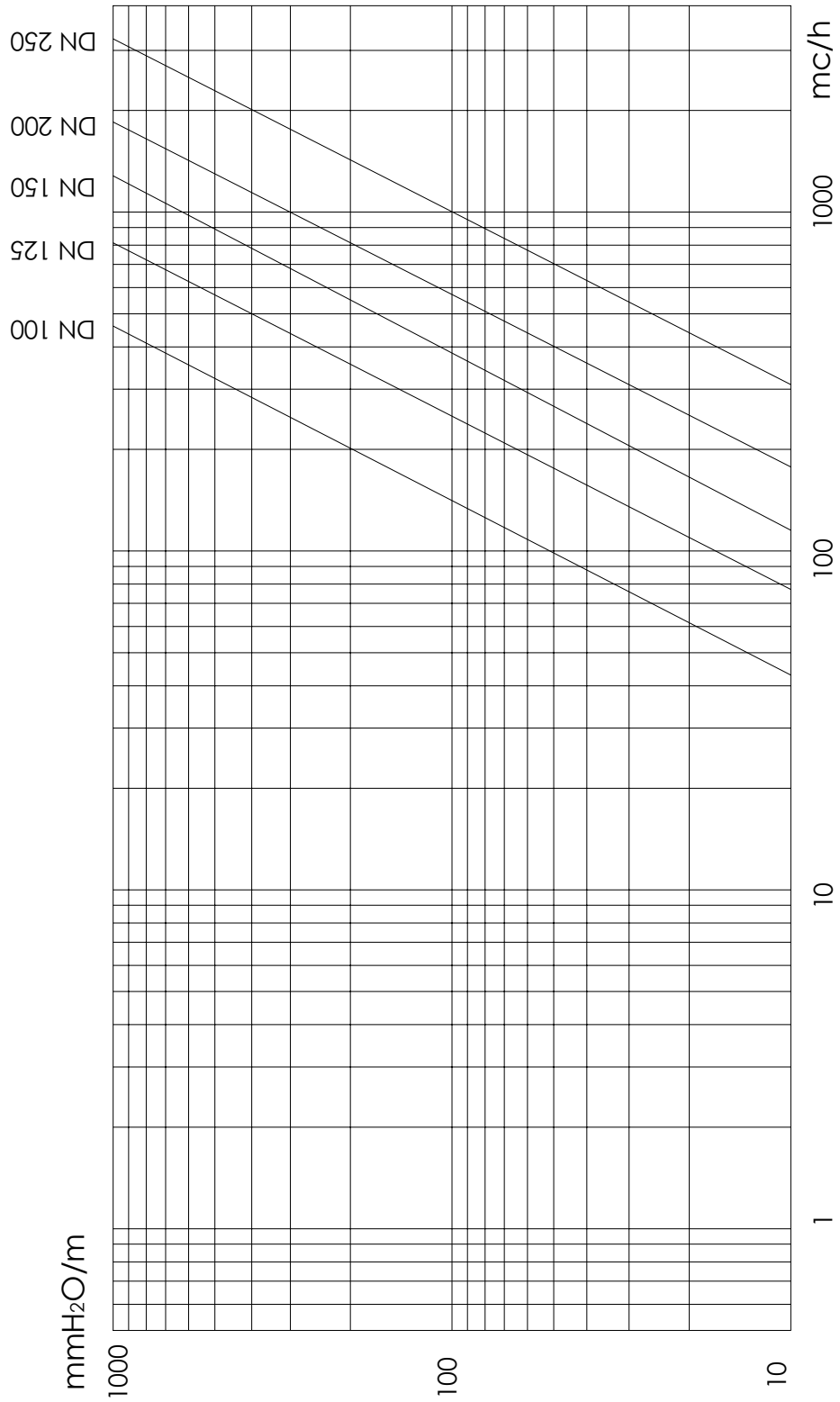
# GAS BALL VALVES, FULL FLOW - FROM 2 1/2" TO 4"



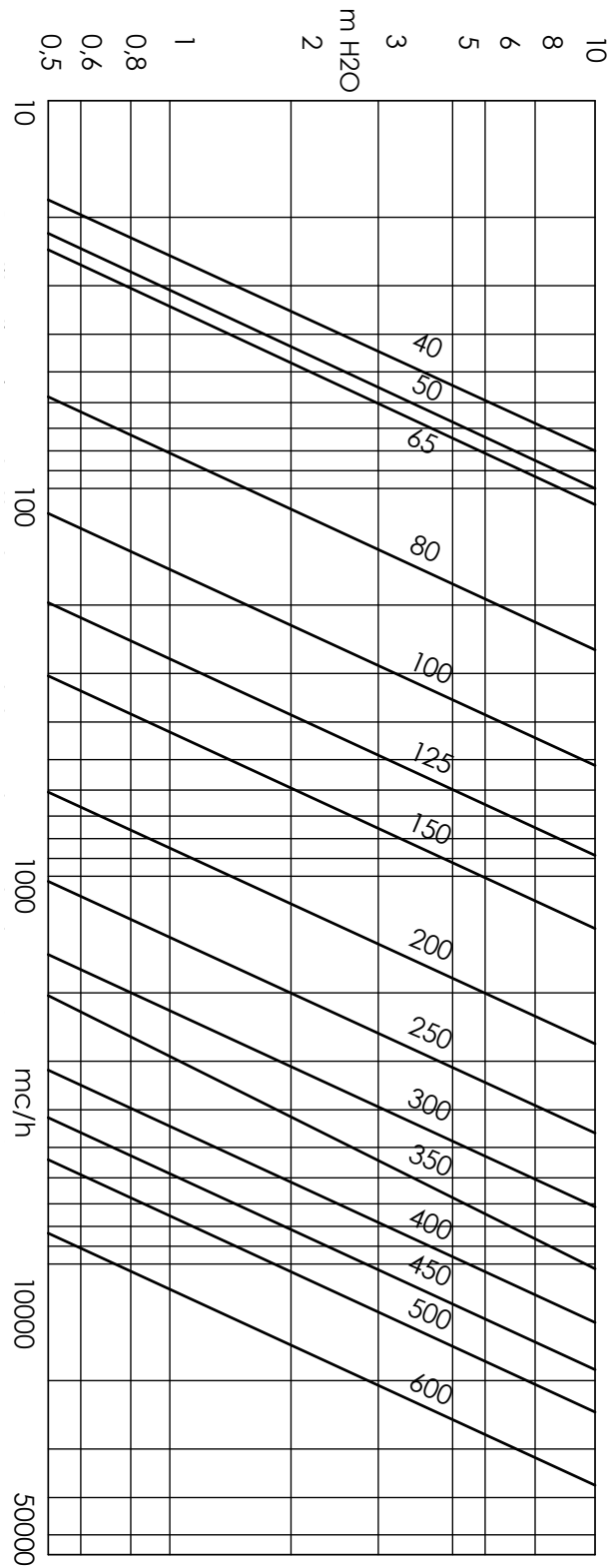
FLANGED CAST IRON GAS BALL VALVE - FROM 1/2" TO DN80



## FLANGED CAST IRON GAS BALL VALVE - FROM DN100 TO DN200

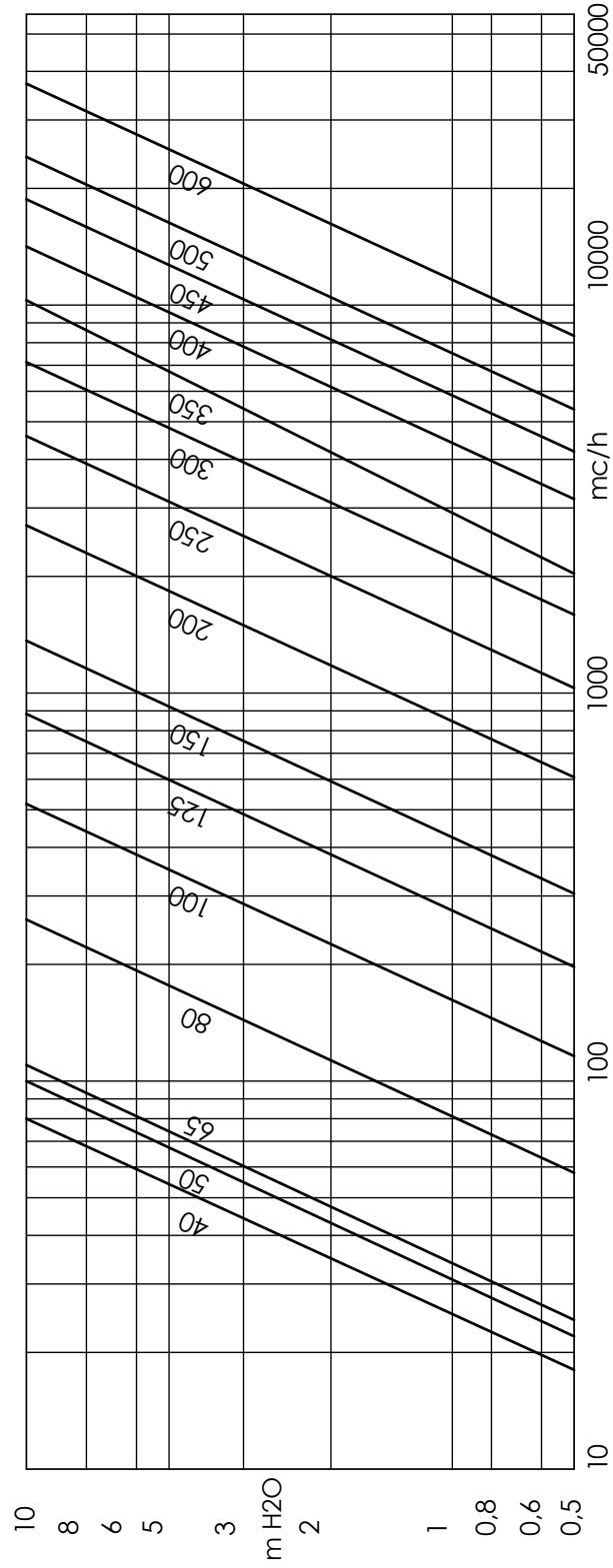


WAFER BUTTERFLY VALVE





# LUG BUTTERFLY VALVE



## *Y Strainers*

# Y strainers

Y STRAINER

p. 268



## Y STRAINER



Code	Packing	Dimension	Pmax
YS008	20/160	1/4" (DN 8)	20 bar
YS010	20/160	3/8" (DN 10)	20 bar
YS015	20/160	1/2" (DN 15)	20 bar
YS020	10/80	3/4" (DN 20)	20 bar
YS025	8/64	1" (DN 25)	20 bar
YS032	5/40	1"1/4 (DN 32)	20 bar
YS040	2/36	1"1/2 (DN 40)	20 bar
YS050	2/18	2" (DN 50)	20 bar
YS065	1/7	2"1/2 (DN 65)	16 bar
YS080	1/5	3" (DN 80)	16 bar
YS100	1/4	4" (DN 100)	16 bar

### TECHNICAL FEATURES

**Model** Female/female threads and inspection plug.

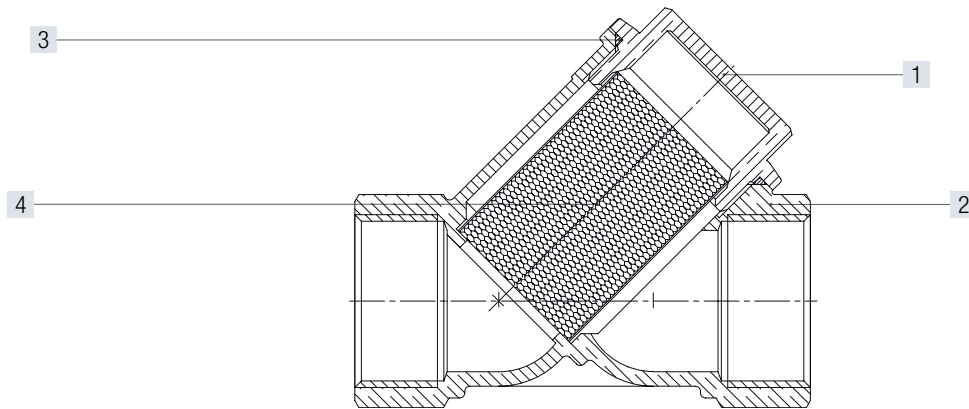
**Inlet - Outlet Connection** BSP ISO228

**Filter** 1/4" through 2" 500µm; 2"1/2, 3", 4" 800µm

**Working Temperature** -20°C, 110°C in absence of steam

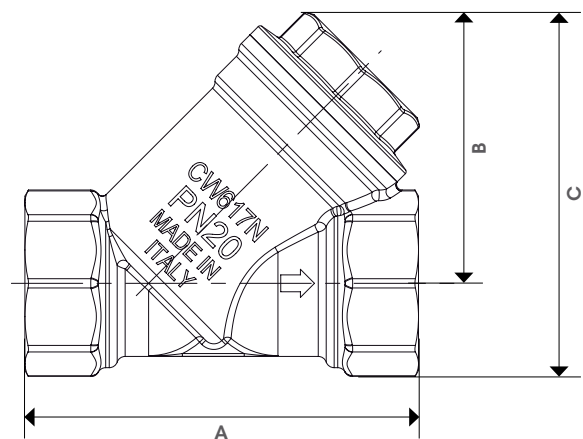
#### Materials:

**Complete Body** Body in brass.



- 1** End adapter
- 2** Body
- 3** O-Ring
- 4** Strainer

DIMENSIONS (mm)					
Dimension	DN	A	B	C	Kg/cm <sup>2</sup> bar
¼"	8	55	40	49,7	20
⅜"	10	55	40	51,2	20
½"	15	58	40	53,25	20
¾"	20	70	48	64,6	20
1"	25	87	56	76,35	20
1" ¼	32	96	64	87,7	20
1" ½	40	106	73	100	20
2"	50	126	88,5	122	20
2" ½	65	150	105	147,5	16
3"	80	169	120	168,5	16
4"	100	219	162	224,5	16



## NICKEL-PLATED Y STRAINER



Code	Packing	Dimension	Pmax
YS008 - NP	20/160	1/4" (DN 8)	20 bar
YS010 - NP	20/160	3/8" (DN 10)	20 bar
YS015 - NP	20/160	1/2" (DN 15)	20 bar
YS020 - NP	10/80	3/4" (DN 20)	20 bar
YS025 - NP	8/64	1" (DN 25)	20 bar
YS032 - NP	5/40	1"1/4 (DN 32)	20 bar
YS040 - NP	2/36	1"1/2 (DN 40)	20 bar
YS050 - NP	2/18	2" (DN 50)	20 bar

### TECHNICAL FEATURES

**Model** Female/female threads and inspection plug.

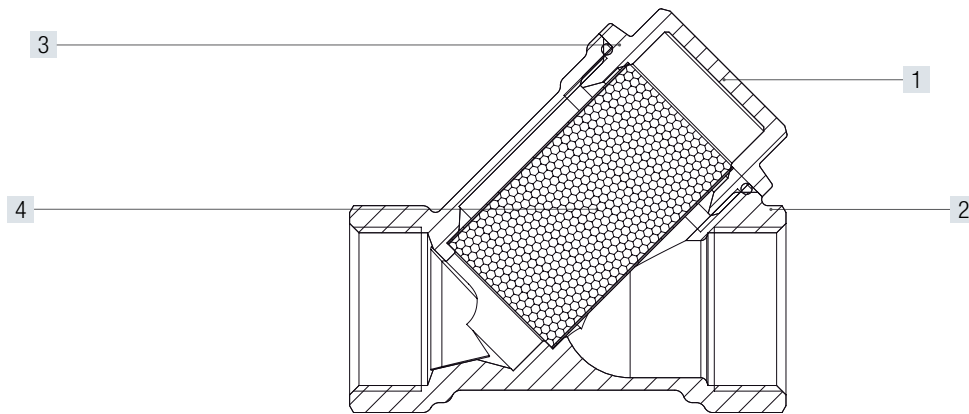
**Inlet - Outlet Connection** ISO228

**Filter** 50µm

**Working Temperature** -20°C, 110°C in absence of steam

#### Materials:

**Complete Body** Body in nickel-plated brass.



- 1** End adapter

---

- 2** Body

---

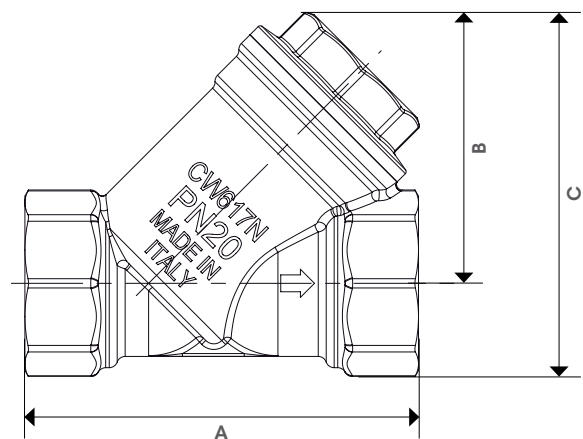
- 3** O-Ring

---

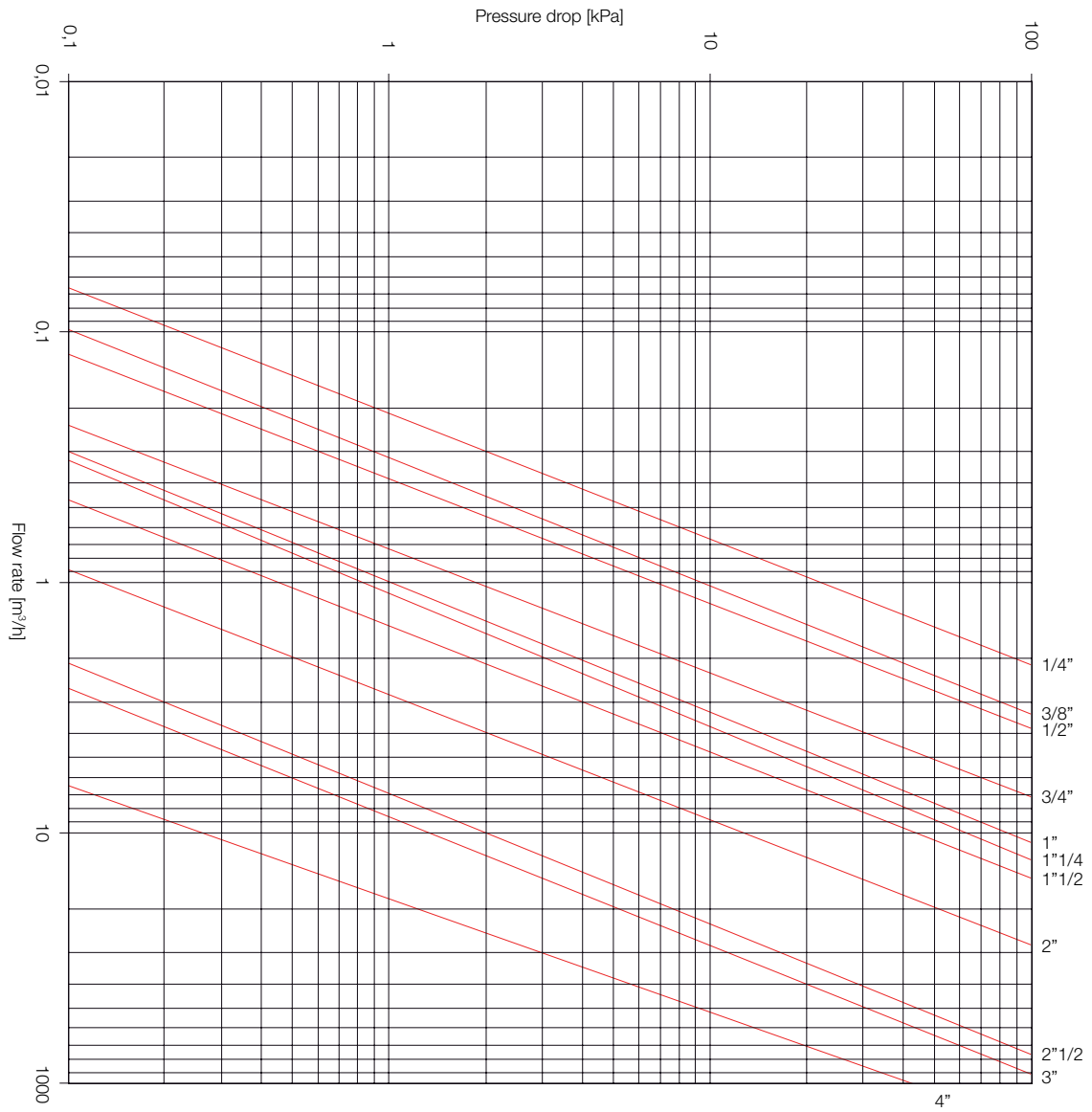
- 4** Strainer

---

DIMENSIONS (mm)					
Dimension	DN	A	B	C	Kg/cm <sup>2</sup> bar
¼"	8	55	40	49,7	20
⅜"	10	55	40	51,2	20
½"	15	58	40	53,25	20
¾"	20	70	48	64,6	20
1"	25	87	56	76,35	20
1" ¼	32	96	64	87,7	20
1" ½	40	106	73	100	20
2"	50	126	88,5	122	20

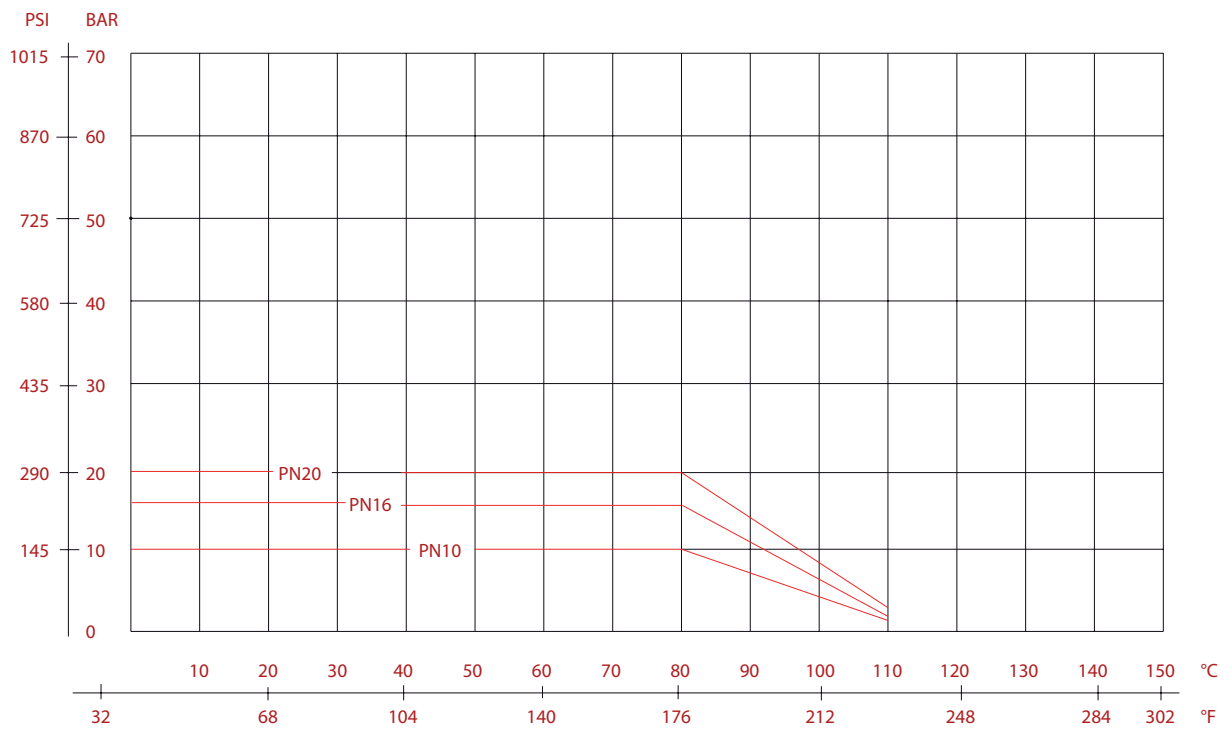


Y STRAINER





# PRESSURE TEMPERATURE DIAGRAM



## *Pressure Gauges*



# Pressure Gauges

## PRESSURE GAUGES

---

GAUGES FOR GAS WITH BOURDON SPRING - M63-M80 p. 276

---

GAUGES FOR GAS WITH BOURDON SPRING - M100 p. 277

---

GAS GAUGE, CAPSULE PRESSURE GAUGES  
BOTTOM CONNECTION, GAS-SPECIFIC VERSION,  
DN 63-80-100 p. 278

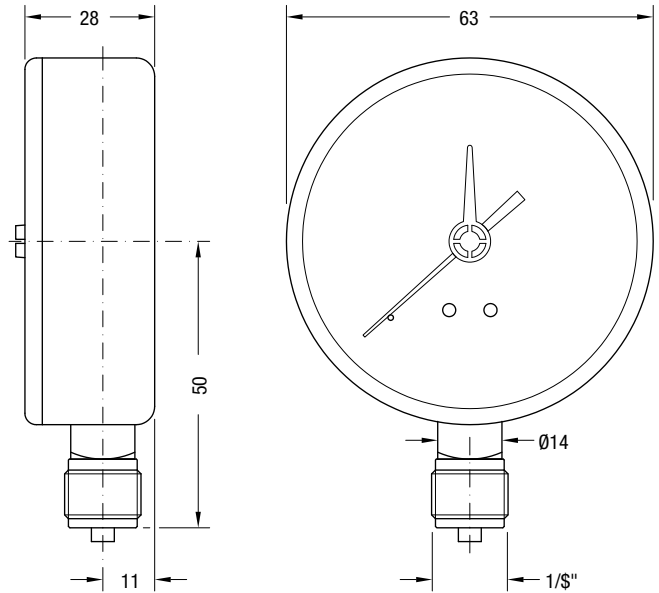
---

ACCESSORIES p. 279

---



Guages for Gas with bourdon spring - M63-M80



Code	Description	Connection	Scale
GM004-63-BS	M 63 RP IR bar	1/4"	4 bar
GM006-63-BS	M 63 RP IR bar	1/4"	6 bar
GM010-63-BS	M 63 RP IR bar	1/4"	10 bar
GM016-63-BS	M 63 RP IR bar	1/4"	16 bar
GM004-80-BS	M 80 RP IR bar	3/8"	4 bar
GM006-80-BS	M 80 RP IR bar	3/8"	6 bar
GM010-80-BS	M 80 RP IR bar	3/8"	10 bar
GM016-80-BS	M 80 RP IR bar	3/8"	16 bar

TECHNICAL FEATURES

**Applications** Pressure gauges with red adjustable reference indicator to use on appliances and installations governed by I.S.P.E.S.L. regulations, suitable for measuring the pressure of liquid and gaseous fluids, provided they are not highly viscous, crystallizing or corrosive to copper and tin alloys.

**Main fields of application**

- plumbing equipment and systems
- heating systems
- regulated equipment or subject to I.S.P.E.S.L. control

**Normative References**

- EN 837-1 2.5 precision class
- according to I.S.P.E.S.L. normative
- CE 1997-23 directive (PED)
- degree of protection IP31 according to EN 60529

Operating limits

**Temperatures** On the body of the pressure gauge  $-40 \div +70$  °C  
Of pressurized fluid max 70 °C

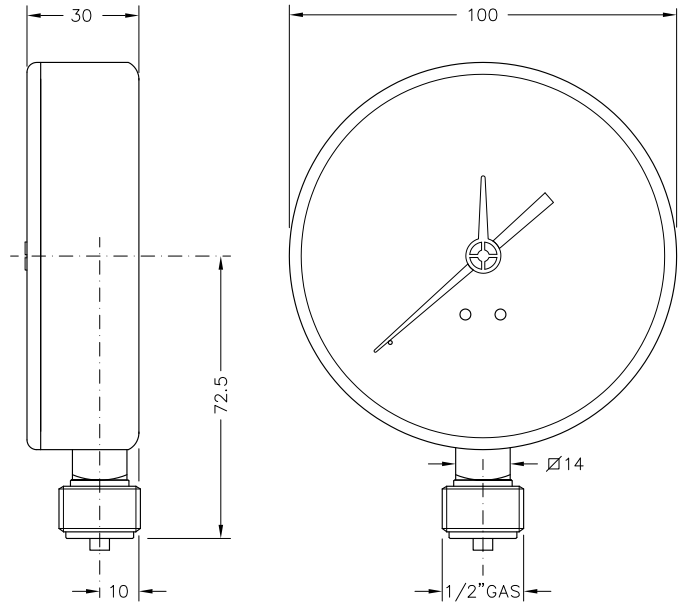
**Pressure** Up to 3/4 of the full scale value for static pressures  
Up to 2/3 of the full scale value for fluctuating pressure  
Up to the full scale value for short periods

**Fluids** Liquid or gaseous non-corrosive to copper alloys, not highly viscous, not crystallising  
Gauges not suitable for oxygen

**Construction features**

- shockproof ABS case
- crystal clear methacrylate window
- red adjustable indicator mounted on window
- prepainted aluminium white dial
- black graphics
- available two different series of graduations: bar or mH<sub>2</sub>O (hydrometers)
- black plastic indicator
- brass coupling
- "C" shaped Bourdon spring in copper alloy
- movement in watch brass alloy (OT59)
- weight 128 gr

## Guages for Gas with bourdon spring - M100



Code	Description	Connection	Scale
GM004-100-BS	M 100 RM IR bar	1/2"	4 bar
GM006-100-BS	M 100 RM IR bar	1/2"	6 bar
GM010-100-BS	M 100 RM IR bar	1/2"	10 bar
GM016-100-BS	M 100 RM IR bar	1/2"	16 bar

### TECHNICAL FEATURES

**Applications** Pressure gauges with red adjustable reference indicator to use on appliances and installations governed by I.S.P.E.S.L. regulations, suitable for measuring the pressure of liquid and gaseous fluids, provided they are not highly viscous, crystallizing or corrosive to copper and tin alloys.

**Main fields of application**

- plumbing equipment and systems
- heating systems
- regulated equipment or subject to I.S.P.E.S.L. control

**Normative References**

- EN 837-1 2.5 precision class
- according to I.S.P.E.S.L. normative
- CE 1997-23 directive (PED)
- degree of protection IP31 according to EN 60529

### Operating limits

**Temperatures** On the body of the pressure gauge  $-40 \div +70$  °C  
Of pressurized fluid max 70 °C

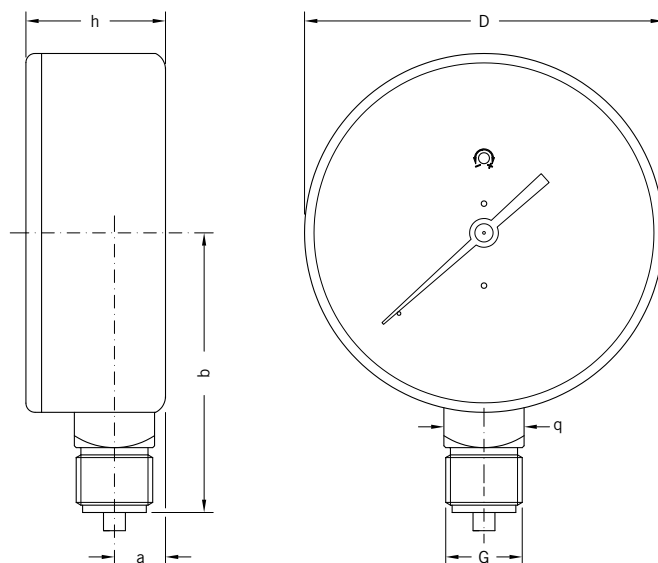
**Pressure** Up to 3/4 of the full scale value for static pressures  
Up to 2/3 of the full scale value for fluctuating pressure  
Up to the full scale value for short periods

**Fluids** Liquid or gaseous non-corrosive to copper alloys, not highly viscous, not crystallizing  
Gauges not suitable for oxygen

**Construction features**

- painted steel black case
- crystal clear methacrylate window
- red adjustable indicator mounted on window
- pre-painted aluminium white dial
- black graphics
- available two different series of graduations: bar or mH<sub>2</sub>O (hydrometers)
- black plastic indicator
- brass coupling
- "C" shaped Bourdon spring in copper alloy
- movement in watch brass alloy (OT59)
- weight 242 gr

**Gas gauge, capsule pressure gauges, bottom connection, gas-specific version, DN 63–80–100**



Code	Description	Connection	Scale
GM040-63	MP 63 RM	¼"	40 mbar
GM060-63	MP 63 RM	¼"	60 mbar
GM100-63	MP 63 RM	¼"	100 mbar
GM160-63	MP 63 RM	¼"	160 mbar
GM250-63	MP 63 RM	¼"	250 mbar
GM400-63	MP 63 RM	¼"	400 mbar
GM600-63	MP 63 RM	¼"	600 mbar

GM040-80	MP 80 RM	⅜"	40 mbar
GM060-80	MP 80 RM	⅜"	60 mbar
GM100-80	MP 80 RM	⅜"	100 mbar
GM160-80	MP 80 RM	⅜"	160 mbar
GM250-80	MP 80 RM	⅜"	250 mbar
GM400-80	MP 80 RM	⅜"	400 mbar
GM600-80	MP 80 RM	⅜"	600 mbar

GM040-100	MP 100 RM	½"	40 mbar
GM060-100	MP 100 RM	½"	60 mbar
GM100-100	MP 100 RM	½"	100 mbar
GM160-100	MP 100 RM	½"	160 mbar
GM250-100	MP 100 RM	½"	250 mbar
GM400-100	MP 100 RM	½"	400 mbar
GM600-100	MP 100 RM	½"	600 mbar

DIMENSIONS (mm) and WEIGHT (gr)							
MOD	D	G	q	a	b	h	PESO/WEIGHT
MP 63 RM	63	R¼"	14x14	11	50	31	165
MP 80 RM	80	G ⅜"	17x17	12	63	32	230
MP 100 RM	100	G ½"	22x22	14	77	38	415

**TECHNICAL FEATURES**

**Applications** Pressure gauges for measuring low pressures (max. 600 mbar). Particularly suitable for combustible gases (methane, propane and similar) or other non-corrosive to copper and tin alloys.

**Main fields of application**

- domestic distribution systems and use of fuel gases
- tests to verify pressure supply and gas usage
- industrial and technical equipment

**Normative References**

- EN 837-3
- 1.6 precision class
- CE 1997-23 directive (PED)
- degree of protection IP31 according to EN 60529

**Operating limits**

**Temperatures** On the body of the pressure gauge -40 ÷ +70 °C  
Of pressurized fluid max 70 °C

**Pressure** Up to 3/4 of the full scale value for static pressures  
Up to 2/3 of the full scale value for fluctuating pressure  
Up to the full scale value for short periods

**Fluids** Liquid or gaseous non-corrosive to copper alloys, not highly viscous, not crystallising. Gauges not suitable for oxygen

**Construction features**

- grey oven-painted steel case
- crystal clear methacrylate window
- prepainted aluminium white dial
- black graphics
- aluminium indicator
- brass coupling
- sensitive system: membrane in beryllium copper and brass alloy clockwork mechanism (OT59)

## ACCESSORIES

### PRESSURE GAUGE HOLDER VALVES WITH STUFFING BOX

Their purpose is to isolate the pressure gauge from the rest of the system, whenever it is not necessary to check the pressure. The model with flange is also required when the pressure gauge is installed in systems, boilers or other equipment subject to control based on I.S.P.E.S.L. standards. Maximum permissible pressure: 10 bar



COD.	FITTING	MOD.
<b>GH008-NF</b>	G 1/4"	without flange
<b>GH010-NF</b>	G 3/8"	without flange
<b>GH015-NF</b>	G 1/2"	without flange
<b>GH008-WF</b>	G 1/4"	with flange
<b>GH010-WF</b>	G 3/8"	with flange
<b>GH015-WF</b>	G 1/2"	with flange

### PRESSURE GAUGE HOLDER VALVES WITH MALE THROUGH BOLT

Their purpose is to isolate the pressure gauge from the rest of the system, whenever it is not necessary to check the pressure. Maximum permissible pressure: 3 bar



COD.	FITTING	MOD.
<b>GH008-MB</b>	G 1/4"	without flange
<b>GH010-MB</b>	G 3/8"	without flange
<b>GH015-MB</b>	G 1/2"	without flange

### PRESSURE GAUGE HOLDER VALVE WITH PUSHBUTTON FOR GAS

They protect the capsule pressure gauges, keeping them isolated from the system. To read the pressure gauge, press the valve button.



COD.	FITTING
<b>GH008</b>	G 1/4"
<b>GH010</b>	G 3/8"
<b>GH015</b>	G 1/2"

### PRESSURE GAUGE COILS

In boilers and installations operating at high temperatures, they cool the fluid before it flows into the pressure gauge. Maximum permissible pressure: 25 bar for nickel-plated version (PN 25), 100 bar for the stainless steel version (PN 100).



COD.	FITTING	MOD.
<b>GC008</b>	G 1/4"	nickel-plated
<b>GC010</b>	G 3/8"	nickel-plated
<b>GC015</b>	G 1/2"	nickel-plated
<b>GC015-SS</b>	G 1/2"	stainless steel

*Gas Detection*





# Gas Detection

## GAS DETECTION

GAS DETECTORS & CONTROL UNITS

p. 282



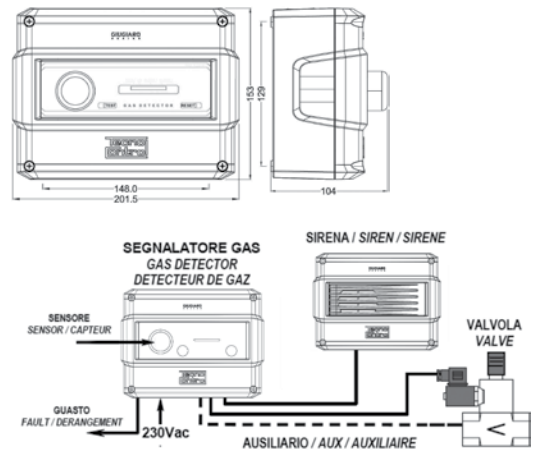
## Control unit with incorporated sensor



### CTR21

Control unit realized with microprocessor technology and printed circuits are SMD assembled. The sensor is integrated on the housing, to facilitate the installation.

- Display by the LED bar placed at the front of the device
- N° 3 relays for alarm and fault
- TEST function
- RESET function
- N° 1 AUX input for electrovalves with magnetic sensor
- N° 3 positive safety relay with alarm memory



CE IP44

Power supply: 230Vac 50-60Hz 12-24Vcc - Installation: Wall

Absorption: 3,5Va - 1,5W

Alarm level: 10% LIE - 20% LEL - Measuring range: 0÷20% LEL

Sensor: Catalytic

Type	Detected gas	Output	Capacity	Cylinder calibration	Sensor life	Storage time
CTR21	Methane LPG	N° 3 relays 24V/1A SPDT	230Vac 3A SPDT	B0200	5 years	5 years

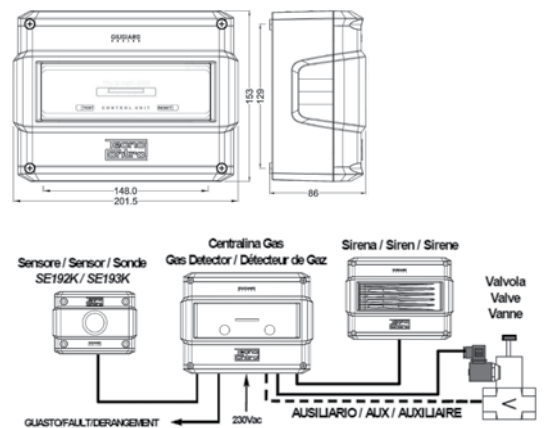
## Control unit for 1 remote sensor



### CTM21

Control unit realized with microprocessor technology and printed circuits are SMD assembled. External gas sensor to be installed in the conform place to detect gas.

- Display by the LED bar placed at the front of the device
- N° 3 relays for alarm and fault
- TEST function
- RESET function
- N° 1 AUX input for electrovalves with magnetic sensor



CE IP65

Power supply: 230Vac 50-60Hz - Installation: Wall

Absorption: 3,5VA

Alarm level: 10% LEL - 20% LEL - Measuring range: 0÷20% LEL

To be connected to a remote sensor

A led bar indicate the reached gas concentration

N° 3 safety positive relay with alarm memory

Type	Sensors	Output	Capacity	Sensors
CTM21	Methane LPG	N° 3 relays	230Vac 3A SPDT	ST441 SE193

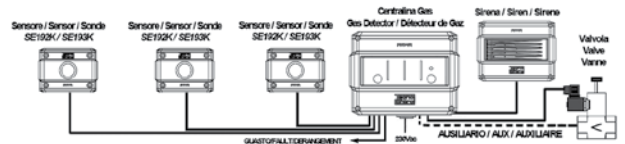
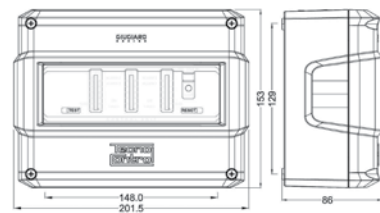
## Control Unit for 3 remote sensors



GTP21

Control unit is equipped with three led bars that indicate the reached gas concentration, The green led indicates fresh air, the first and second red leds indicate pollution and the third and fourth red leds indicate the switching on of the alarm relay. The yellow led indicate an anomaly of the system and it operate on the fault relay.

Type	Sensors	Output	Capacity	Sensors (max 3)
CTP21	Methane LPG	N° 3 relays 230V 3A SPDT	230Vac 3A SPDT	ST441 SE193



CE IP65

Power supply: 110/230Vac 50-60Hz 12Vcc - Installation: Wall

Absorption: 10 VA

Alarm level: 10% LIE - 20% LEL - Measuring range: 0÷20% LEL

N° 3 safety positive relay with alarm memory for all sensors

A led bar indicate the reached gas concentration; 1 for each sensor

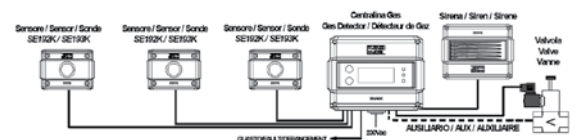
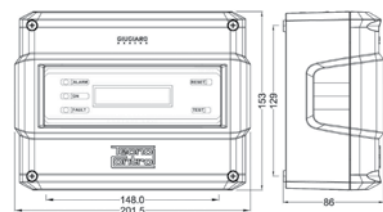
## Control unit with display for 3 remote sensors



GTP23

Control unit is equipped with graphic backlighted DISPLAY that indicate the reached gas concentration. It is equipped with n° 3 inputs for sensors and n° 3 relays output for alarm and fault with alarms memory. Alarm levels are programmable via DIP-switch. TEST and RESET functions.

Type	Sensors	Output	Capacity	Sensors (max 3)
CTP23	Methane LPG	N° 3 relays 230V 3A SPDT	230Vac 3A SPDT	ST441 SE193



CE IP65

Power supply: 110/230Vac 50-60Hz - 24Vdc - Installation: Wall

Absorption: 15 VA

Alarm level: 10% LIE - 20% LEL - Measuring range: 0÷20% LEL

N° 3 safety positive relay with alarm memory for all sensors

Backlighted DISPLAY that indicate the reached gas concentration.

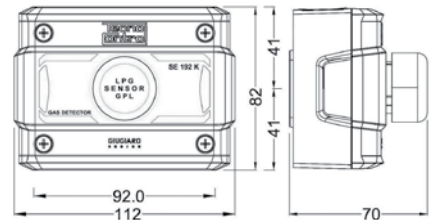
## Gas detector - IP44



ST441

Catalytic sensor to detect methane or LPG. In spite of its low price, this sensor stands out because of its high reliability and such a rating that makes it perfectly fit to be installed in heating plants and a number of industrial appliances.

Type	Detected gas	Cylinder calibration	Average time	Sensors
ST441	Methane LPG	B0200	5 years	5 years



CE IP44

Power supply: 12Vdc

Absorption: 1W

Output: 4÷20 mA - Measuring range: 0÷20% LEL

Sensor: Catalytic

## Gas Detector - ATEX

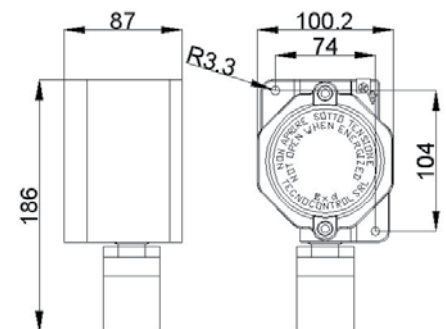


Ex  
ATEX

SE193K

The article SE 193K only differs for its explosion-proof case certified by ATEX, which makes it fit for industrial installations where the area classification requires this type of cases. It can be equipped with an (optional) explosion-proof joint Art.-Nr. ZT163 required for the connection to the cable raceway. Such connection is made easier by coupling terminals. Type of protection: II 2G Ex d IIC T6 - Certificazione CESI 03 ATEX 323

Type	Detected gas	Cylinder calibration	Average time	Sensors
SE193KM SE193KG	Methane LPG	B0200	5 years	5 years



CE EXPLOSION PROOF

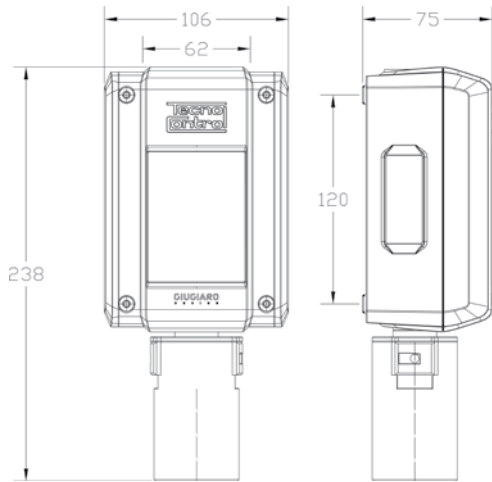
Power supply: 12Vdc

Absorption: 1W

Output: 4÷20 mA - Measuring range: 0÷20% LEL

Sensor: Catalytic

## Stand Alone industrial gas detector - with replaceable sensor



SE237

Code	Gas detected	Cartridge replacement	Measuring range	Electrical input	Calibration cylinder	Average Life in clean air
SE237KM	Methane	ZSK01/IP-ZSK02/IP	0÷20% LEL	3 W	BO200	5 anni/years
SE237KG	LPG	ZSK01/IP-ZSK02/IP	0÷20% LEL	3 W	BO200	5 anni/years
SE237KI	Hydrogen	ZSK01/IP-ZSK02/IP	0÷20% LEL	3 W	BO200	5 anni/years
SE237EO	Oxygen	ZSE0/IP	0÷25% Vol.	2 W	BO416	2 anni/years

**Power Supply:** 12÷24Vdc - 110/230 Vac

**IP Rating:** IP65

No. 3 Alarm relays. MAX resistive load 24V/1A SPST

No. 1 Fault relay. MAX resistive load 24V/1A SPST

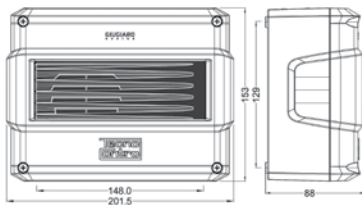
Alarm levels (relays) programmables via DIP-Switch

No. 1 linear 4÷20 mA current output

No. 5 LED shows the working conditions (red: alarms; green: normal; yellow: fault)

Terminals plug-in polarized type

## Siren



SE301A  
SE301B

Piezoelectric modulated siren with flashing red light indication.

## CE IP43

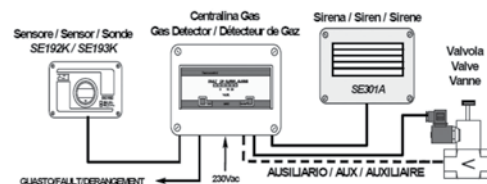
Power supply: 230Vca 50-60Hz - 12Vdc

Absorption: 9VA - 230V / 5W - 12Vdc

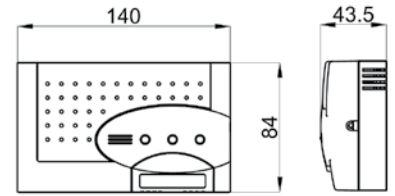
Sound intensity: 115db

Installation: Wall

On request: SE301B with power supply 24Vdc - 5W



## Gas detector with replaceable sensor



CE IP42

Standards certified: EN 50194

Power supply: 230 Vac – 50÷60 Hz and 12Vdc

Absorption: 4,5VA max (230Vac) - 2,5W (12Vdc)

Alarm level: 10% L.E.L. - Measuring range: 0÷20% LEL

Sensor: Catalytic

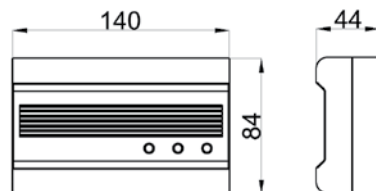
Alarms: optical (red led) and acoustic (buzzer 85dB/1m)

### BETA

BETA detectors warn the gas presence in the environment where they are installed with an optical and acoustic signal. They are equipped with an output relay for controlling a solenoid valve for intercepting gas. After that period, an optical signal warns to replace the sensor, simply by removing a front plate and using the sensors parts supplied in blister packs.

Type	Detected gas	Function	Output	Capacity	Calibration	Sensor life	Storage time
BETA 752/M	Methane	Stand alone	N°1 Relay Buzzer 85dB (A) 1 m	8A 250Vac 30Vdc	B0205	5 years	5 years
BETA 752/G	LPG						
BETA 754/M	Methane	Central unit	N°1 Relay Buzzer 85dB (A) 1 m	8A 250Vac 30Vdc	B0205	5 years	5 years
BETA 754/G	LPG						
BETA 756/M	Methane	Remote unit	Buzzer 85 dB (A) 1 m	NO	B0205	5 years	5 years
BETA 756/G	LPG						

## Gas detector with acoustic alarm and output relay



CE IP42

Standards conformity: EN 50194

Power supply: 230 Vac (±10%) e 12Vdc

Absorption: 4VA (230Vca)

Sensor: Catalytic

Alarm level: 10% L.E.L. - Measuring range: 0÷20% LEL

Output relay: exchange contacts 3A 250Vac

### GAMMA

The IMQ certification in accordance to the standards CEI EN50194 guarantees the perfect working of these gas detectors.

In presence of gas concentration, the alarm spy is lighting, the buzzer emits a loud signal and thanks to the output relay, it is possible to manage the closing of the solenoid gas valve.

Type	Detected gas	Outputs	Function	Capacity	Calibration	Sensor life	Storage time
GAMMA 652/M	Methane	N°1 Relay Buzzer 85dB (A) 1 m	Stand alone	3(1)A 250Vac 2A 24Vcc.	B0205	5 years	5 years
GAMMA 652/G	LPG						
GAMMA 654/M	Methane	N°1 Relay Buzzer 85dB (A) 1 m	Central unit	3(1)A 250Vac 2A 24Vcc.	B0205	5 years	5 years
GAMMA 654/G	LPG						
GAMMA 656/M	Methane	Buzzer 85dB (A) 1 m	Remote unit	NO	B0205	5 years	5 years
GAMMA 656/G	LPG						

## Carbon monoxide detector



### BETA 760/CO

BETA 760/CO detectors warn the gas presence in the environment where they are installed with an optical and acoustic signal. They are equipped with an output relay for controlling a solenoid valve for intercepting gas. CO version are calibrated to detect the following concentration: 50 ppm x 70 minutes / 100 ppm x 20 minutes / 300 ppm x 1 minute. This threshold are guaranteed for a maximum period of 5 years. After that period, an optical signal warns to replace the sensor, simply by removing a front plate and using the sensors parts supplied in blister packs.

CE IP42

Standards conformity: EN 50291

Power supply: 230 Vac – 50÷60 Hz and 12Vdc

Absorption: 3VA (230Vac)

Alarm level: 50ppm per 70 min - 100ppm per 20 min -  
300ppm per 1 min

Sensor: Electrochemical

Alarms: optical (red led) and acoustic (buzzer 85dB/1m)

Type	Detected gas	Color	Output	Capacity	Calibration	Sensor life	Storage time
BETA 760/CO	Carbon monoxide	White	N°1 Relay Buzzer 85dB (A) 1 m	8A 250Vac 30Vdc	B0210	6 years	3 months

## Battery powered carbon monoxide detector



### BETA 762/CO

Through the use of electrochemical sensor, the detector BETA 762/CO for carbon monoxide has excellent sensitivity and immunity from false alarms. It alert with optical and acoustic signal if there is presence of gas in the environment where it is installed. The higher the CO concentration, the quicker the device will give an alarm.

The battery has an estimated life of 6 years as well as the sensor.

This product is practical, portable, in addition, due to the lack of electrical wiring, it can be fixed to the wall or simply placed on tables, shelves, etc.

CE IP42

Standards conformity: EN 50291

Power supply: Lithium battery 3V

Self test: automatic every 10 min

Alarm level: 50ppm per 75 min - 100ppm per 16 min -  
300ppm per 1 min

Sensor: Electrochemical

Alarms: optical (red led) and acoustic (buzzer 80dB/1m)

Product life: 6 years

Type	Detected gas	Color	Battery life	Sensor life	Storage time
BETA 762/CO	Carbon monoxide	White	6 years	6 years	3 months

## BETA sensors cartridge



The gas detectors and carbon monoxide replacement sensor for BETA series are provided in blister package and can be installed easily and intuitively, using innovative TECNOCONTROL technology. The bus communication with the motherboard and the microcontroller on board allows the sensor to be calibrated by the manufacturer, avoiding the replacement of the whole detector.



Sensor life: 5 years

Sensor type: Methane and LPG = catalytic / CO = electrochemical

Package: Blister

<b>ZSDM1</b>	Methane sensor
<b>ZSDG1</b>	L.P.G. sensor
<b>ZSDC1</b>	CO sensor

### Sensor replacement



After 5 years, Beta 752 indicates the necessity of sensor replacing through the yellow led. Lever with a screwdriver to unlock the door to access the sensor to be replaced.



Lift the door, remove the screws that lock the sensor and pull it upward.



Check that the new sensor has to be the same to the previous one. (If different the detector get in alarm).



Put the new sensor and screw down the two screw.



With the sensor inserted, press the test button for 3 second. When the test is finished, close the door.



## Safety gas kit



Standard certified  
CEI EN 50194



Gas leak detector



Solenoid valve  
230Vca Normally Open



Gas Kit - Gas detector + Gas solenoid valves -



Standard certified  
CEI EN 50194



BETA gas leak detector  
replaceable sensor



Solenoid valve  
230Vca Normally Open



Gas Kit - Gas detector + Gas solenoid valves - Beta has replaceable sensor

## *Measurement Instruments*

» Measurement instrument for proper installation and maintenance of gas Installation



MANOMETER FOR TEST GAS PIPELINES  
PORTABLE GAS LEAK DETECTORS

---

p. 192



## Manometer for test gas pipelines



MA202PT



PRESSURE PUMP



PRINTER



SEAL CONES

The system performs pressure measurements, a direct tightness test and a leak rate test. The MA402PT provides several methods for you to test pipelines and gas trains that are filled with gas or air. The MA402PT standard leak procedure is particularly quick and easy for the user. There is no need to disassemble a gas meter or gas train. The MA402PT uses the changes in pressure measured with and without the standard leak to determine the leakage rate and volume in the gas line in just 10 to 15 minutes! The serviceability check (gas safety check) meets the technical conditions of the new UNI 11137:2012. The leak test is fully automatic. In addition, the gas line to be tested is connected to the MA402PT via just one pressure measurement hose. The pressure in the gas line to be tested is automatically increased to 150 mbar by the measurement system. The stabilization and measurement times correspond to UNI 11137:2012

### CALCULATED VALUES

- Differential pressure
- Compensation in environment
- Calculation of plant piping volume
- Calculation of flow rate of dispersed air
- Calculation of flow rate of dispersed gas

### SOFTWARE DATA

- Automatic zero calibration after switching on
- Free programming of all parameters by operator

### EQUIPMENT

- Gate RS 232 for communication to PC
- Power feed by lithium batteries rechargeable from network
- Internal calendar and clock
- 25 measure reports that can be stored
- Lithium batteries rechargeable

### PRINCIPAL PERFORMANCES

- It reads the "maximum drop-out"
- Conversion into the different measure units (hPa, mmH<sub>2</sub>O, mmBar, Psi) possible
- Measuring of differential pressures
- Measuring of room humidity by probe (optional S0390)
- Displaying of testing time
- Temperature compensation in environment
- Storing of reports which can be personalised with users' data
- Operating range: 50h

### Complying with Standard UNI 11137:2012 / ± 15.000 Pa

REAL VALUES	RANGE	RESOLUTION	MAXIMUM ERROR
Differential pressure	± 15.000 Pa	1 Pa	± 1 Pa or 3% reading
Chimney depression	± 15.000 Pa	1 Pa	± 1 Pa or 3% reading

PARAMETERS	RANGES	MEASURE PRINCIPLE
Pressure	± 15.000 Pa	DMS bridge
T° air	-15...100 °C	Semiconductor
Humidity	0...100%	Capacitive
Differential	0...100%	Calculated
Volume	0...100%	Calculated

*If the plant proves to require maintenance or shutdown, then leak needs be searched, repaired and the plant tested again conforming to the Standard 7129-1.*

### PARAMETERS TO USE FOR THE CLASSIFICATION OF GAS PLANTS

Gas Family	Plant is compliance with standards	Safe plant but maintenance required withing30 day	Plant shutdown
I - II	$Q \leq 1 \text{ dm}^3/\text{h}$	$1 < Q \leq 5 \text{ dm}^3/\text{h}$	$Q > 5 \text{ dm}^3/\text{h}$
III	$Q \leq 0,4 \text{ dm}^3/\text{h}$	$0,4 < Q \leq 2 \text{ dm}^3/\text{h}$	$Q > 2 \text{ dm}^3/\text{h}$

## Portable gas leak detectors



### SE 151NM

The SE151NM is an ideal instrument for seek combustible gas leaks in a number of residential, commercial and industrial applications, including gas pipeline and valve, regulator and gas meter inspection. It uses a long-life (5 years) sensor and is easy to operate. The SE151NM has a long, flexible neck for detecting leaks in hard-to-reach areas. Only Audible alarm if limit value is exceeded

CE

---

Sensitivity: 20 ppm

---

Power supply: 4 x 1.5V (battery enclosed)

---

Operation range: 8hours

---

Automatic switching off: 10min

---

Case: 220x160x40mm

---



### SE 153NM

The SE153NM is an ideal instrument for seek combustible gas leaks in a number of residential, commercial and industrial applications, including gas pipeline and valve, regulator and gas meter inspection. It uses a long-life (5 years) sensor and is easy to operate. The SE153NM has a long, flexible neck for detecting leaks in hard-to-reach areas, with bar LED display to show relative leak sizes and a manual balance feature for finding leaks in backgrounds where target gas is present. Display LED & Audible alarm if limit value is exceeded

CE

---

Sensitivity: 20 ppm

---

Power supply: Rechargeable batteries Ni-MH

---

Operation range: 5hours

---

Recharge time: 14hours

---

Automatic switching off: 10min

---

Case: 280x120x90mm

---

















Our policy of continuous product improvement, the features and data shown are subject to change without notice. The images of the products and accessories are only indicative. Graphic colors of the products may differ from reality.

9584015B



**geca**

**GECA S.r.l.**  
Via E. Fermi, 98 | 25064 Gussago (BS) | ITALY  
Tel. +39 030 3730218  
Fax +39 030 3730228  
E-mail: [export@gecasrl.it](mailto:export@gecasrl.it)  
[www.gecasrl.it](http://www.gecasrl.it)



**Tecnocontrol S.r.l.**  
Via Miglioli, 47 | 20090 Milano | ITALY  
Tel. +39 02 26922890  
Fax +39 02 2133734  
E-mail: [export@tecnoccontrol.it](mailto:export@tecnoccontrol.it)  
[www.tecnoccontrol.it](http://www.tecnoccontrol.it)